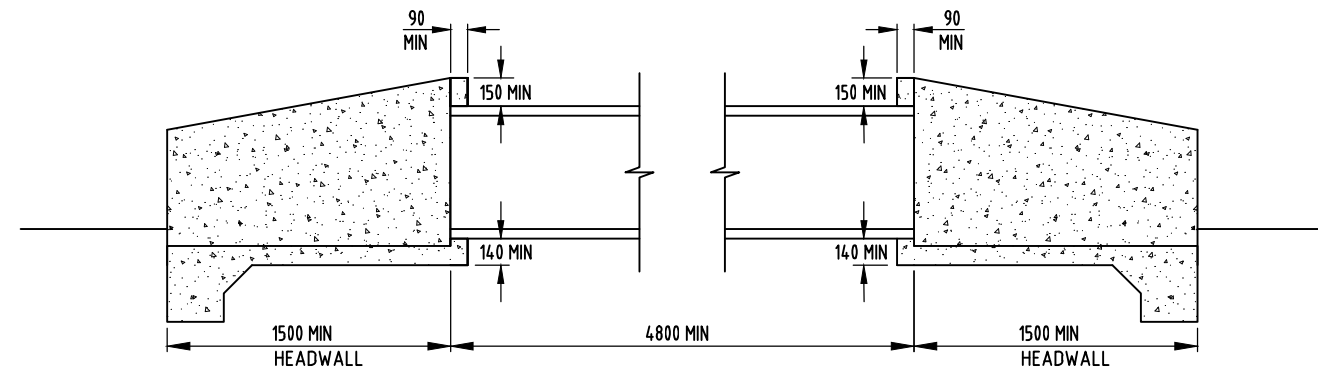


ELEVATION

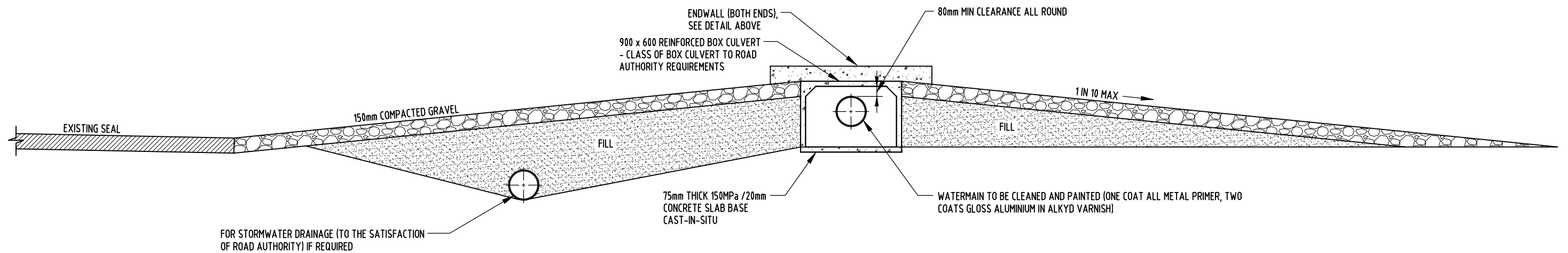


SECTION A

PRE-CAST CONCRETE HEADWALL DETAIL

**NOTES:**

1. ALL DIMENSIONS IN MILLIMETRES UNLESS NOTED OTHERWISE.
2. CULVERT SHALL BE LOCATED BETWEEN PIPE JOINTS (IE NO PIPE JOINT TO BE COVERED BY BOX CULVERT).



TYPICAL CROSS SECTION OF ACCESS OVER ABOVE GROUND MAINS

2	GENERAL AMENDMENTS 2021.	PW	AUG'21	JR	DC
1	GENERAL UPDATE.	AW	JUN'18	JR	DC
NO	DESCRIPTION	DRN	DATE	CKD	APPD
AMENDMENTS					



DES	-	WATER STANDARD DRAWING	
DRN	PWC	MAINLAYING	
CHK	CHY	TYPICAL ACCESS OVER EXISTING	
APPD	CHY	DN300, DN375 ABOVE GROUND MAINS	
SCALE	N.T.S.	A3	DRAWING NUMBER W1-2-16
ISSUED	OCT'93		2
ALL DIM. IN mm			
DRAFTING STANDARD TO A.S.1100		CAD PRODUCT - DO NOT AMEND MANUALLY	
		AMDT	