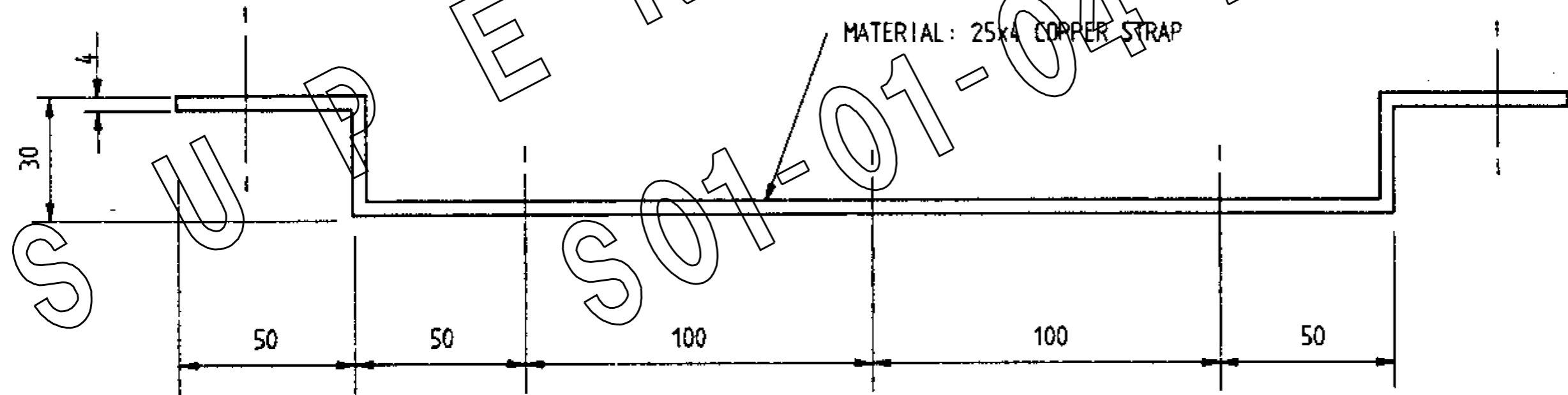


3 HOLES 12 DIA.

BRACKET TO BE POWER FASTENED TO POLE. SEE DRG. S04-02-04-01.



MATERIAL: 25x4 COPPER STRAP

ITEM 1 BRACKET SURGE DIVERTER
(ITEM NUMBER - 214932)

1	TITLEBLOCK & DRAWING NUMBER FORMATTED	K.T.	JAN'20	C.C.	C.C.
NO	DESCRIPTION	DRN	DATE	CKD	APPD
AMENDMENTS					



DES	N.P.
DRN	H.T.
CKD	G.SCHUBERT
APPD	B.T.KENT
SCALE	1:2
ISSUED	SEPT'89
ALL DIM.	IN mm
DRAFTING STANDARD TO A.S.1100	

POWER STANDARD DRAWING	
LINE HARDWARE	
LV - ABC	
BRACKET - COPPER	
SURGE DIVERTER	
A3	DRAWING NUMBER S04-01-02-05
CAD PRODUCT - DO NOT AMEND MANUALLY	
AMDT	