

METAL CABLE GLAND STOCK CODE	CABLE GLAND SIZE	STANDARD METRIC ENTRY THREADS 'C'	MINIMUM THREAD LENGTH 'E'	OVERALL CABLE DIAMETER RANGE 'A'		HEX NUT ACROSS FLATS 'D'	HEX NUT ACROSS CORNERS 'D'	NOMINAL PROTRUSION LENGTH 'F'	CABLE GLAND WEIGHT (KGS)	SUITS PWC CABLE		
				MIN	MAX					LV	11KV	22KV
503378	25	M25	10.0	11.1	20.0	36.0	39.9	26.0	0.112	1C 35sqmm AL XLPE, 1C 35sqmm CU FLEX R-EP, 1C 70sqmm CU FLEX R-EP		
503382	32	M32	10.0	17.0	26.3	41.0	45.5	27.0	0.128	1C 150sqmm CU FLEX R-EP, 1C 185sqmm CU FLEX R-EP		
503381	40	M40	15.0	23.5	32.2	50.0	55.4	28.0	0.168	1C 300sqmm CU FLEX R-EP, 1C 185sqmm AL XLPE, 1C 240sqmm AL XLPE	1C 35sqmm AL XLPE	1C 35sqmm CU XLPE
503380	50S	M50	15.0	31.0	38.2	55.0	61.0	29.0	0.224	1C 400sqmm CU FLEX X-HF-110	1C 95sqmm AL XLPE	
503374	50	M50	15.0	35.6	44.1	60.0	66.5	30.0	0.231	1C 500sqmm CU FLEX X-HF-110	1C 240sqmm XLPE	1C 120sqmm CU XLPE
503373	63S	M63	15.0	41.5	50.0	70.0	77.6	30.0	0.360		1C 300sqmm XLPE, 1C 400sqmm XLPE	1C 240sqmm XLPE
503379	63	M63	15.0	47.2	56.0	75.0	83.2	30.0	0.344		1C 630sqmm AL XLPE	1C 400sqmm AL XLPE
503375	75S	M75	15.0	54.0	62.0	80.0	88.7	32.0	0.466		1C 800sqmm CU XLPE	1C 630sqmm AL XLPE
503376	100	M100	24.0	76.0	91.0	123.0	137.8	48.0	1.575		3C 300sqmm CU XLPE, 3C 400sqmm AL XLPE	
503377	130	M130	24.0	97.0	115.0	152.4	164.9	62.0	3.400		TRIPLEX 500sqmm CU XLPE	

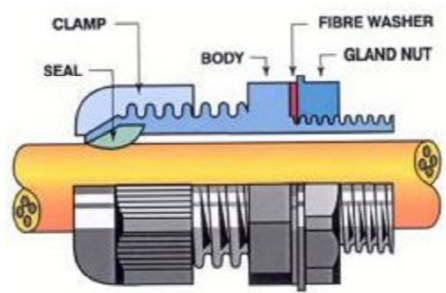
METAL CABLE GLAND TECHNICAL DATA

TYPE: A2
DESIGN SPECIFICATION: BS 6121-PART1:1989, EN 50262:1999, IEC 62444:2010
MECHANICAL CLASSIFICATIONS: RETENTION-CLASS B, IMPACT-LEVEL 8
CONTINUOUS OPERATING TEMPERATURE: -60°C TO 150°C
INGRESS PROTECTION RATING: IP66, IP67, IP68
DELUGE PROTECTION COMPLIANCE: DTS01:91
STANDARD CABLE GLAND MATERIAL: ELECTROLESS NICKEL PLATED BRASS
SEAL MATERIAL: CMP FORMULATED THERMOPLASTIC ELASTOMER
CABLE TYPE: UNARMoured
SEALING TECHNIQUE: CMP DISPLACEMENT SEAL

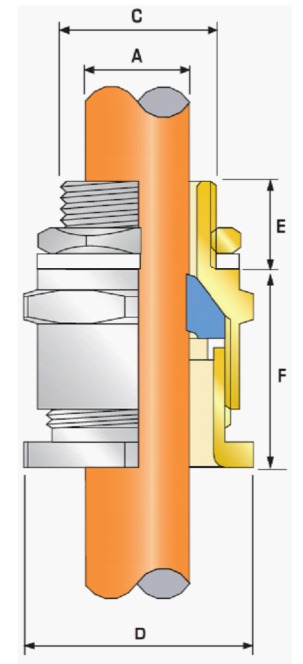
NYLON CABLE GLAND TECHNICAL DATA

MATERIAL: POLYAMIDE
SEAL: NEOPRENE
TEMPERATURE RANGE: -30°C TO +80°C
(UP TO 150°C INTERMITTENT)
APPROVALS: IP68

NYLON CABLE GLAND STOCK CODE	MOUNTING THREAD (DIA x LENGTH)	OVERALL CABLE DIAMETER RANGE		LENGTH OF THREAD	DIAMETER ACROSS FLATS	SUITS PWC CABLE		
		MIN	MAX			LV	11KV	22KV
259051	M32x15	18.0	25.0	15.0	42	1C 150sqmm CU FLEX R-EP, 1C 185sqmm CU FLEX R-EP		
259069	M40x18	22.0	32.0	15.0	53	1C 300sqmm CU FLEX R-EP, 1C 185sqmm AL XLPE, 1C 240sqmm AL XLPE	1C 35sqmm AL XLPE	1C 35sqmm CU XLPE
259077	M50x18	30.0	38.0	18.0	60	1C 400sqmm CU FLEX X-HF-110	1C 95sqmm AL XLPE	
259085	M63x18	34.0	44.0	18.0	65	1C 500sqmm CU FLEX X-HF-110	1C 240sqmm XLPE	1C 120sqmm CU XLPE



NYLON CABLE GLAND LAYOUT



METAL CABLE GLAND LAYOUT

NOTES:

- ENTRY THREAD SEALING WASHER AND LOCKNUT INCLUDED IN METAL CABLE GLANDS.
- METAL CABLE GLANDS SHALL BE USED ON OUTDOOR INSTALLATIONS.
- NYLON CABLE GLANDS MOUNTING THREAD PITCH IS 1.5MM AND SUPPLIED COMPLETE WITH LOCKNUT.

						DES	I.BASHIR	POWER STANDARD DRAWING																					
						DRN	I.BASHIR	ACCESSORIES, CABLE GLANDS METALLIC OUTDOOR NON-METALLIC INDOOR																					
CKD	A.TAYLOR																												
APPD	B.CHEUNG																												
SCALE	N.T.S																												
<table border="1"> <tr> <td>0</td> <td>ISSUED FOR APPROVAL</td> <td>I.BAS</td> <td>MAY 15</td> <td>A.TAY</td> <td>B.CHE</td> </tr> <tr> <th>NO</th> <th>DESCRIPTION</th> <th>DRN</th> <th>DATE</th> <th>CKD</th> <th>APPD</th> </tr> <tr> <td colspan="6" style="text-align: center;">AMENDMENTS</td> </tr> </table>						0	ISSUED FOR APPROVAL	I.BAS	MAY 15	A.TAY	B.CHE	NO	DESCRIPTION	DRN	DATE	CKD	APPD	AMENDMENTS						ISSUED	JUN 15	A3	DRAWING NUMBER	S02-1-9-05	
						0	ISSUED FOR APPROVAL	I.BAS	MAY 15	A.TAY	B.CHE																		
NO	DESCRIPTION	DRN	DATE	CKD	APPD																								
AMENDMENTS																													
						ALL DIM.	IN mm	DRAFTING STANDARD TO A.S.1100	CAD PRODUCT - DO NOT AMEND MANUALLY																				