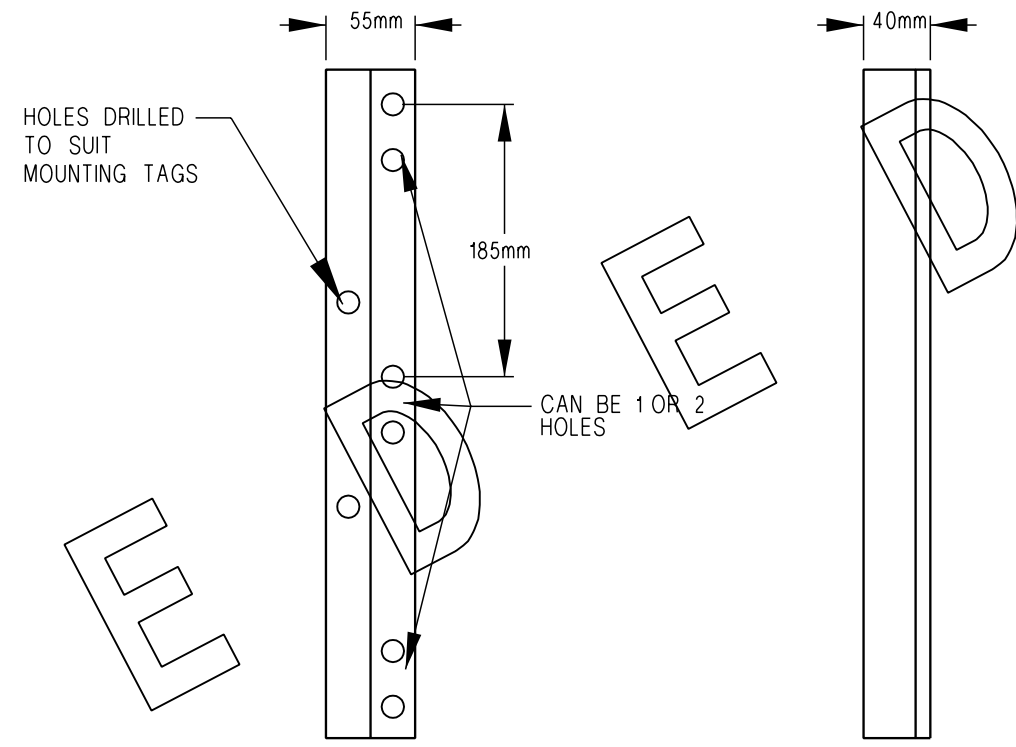
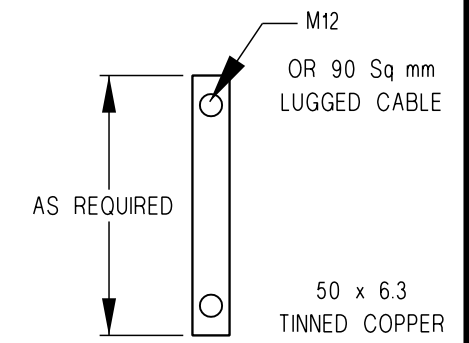
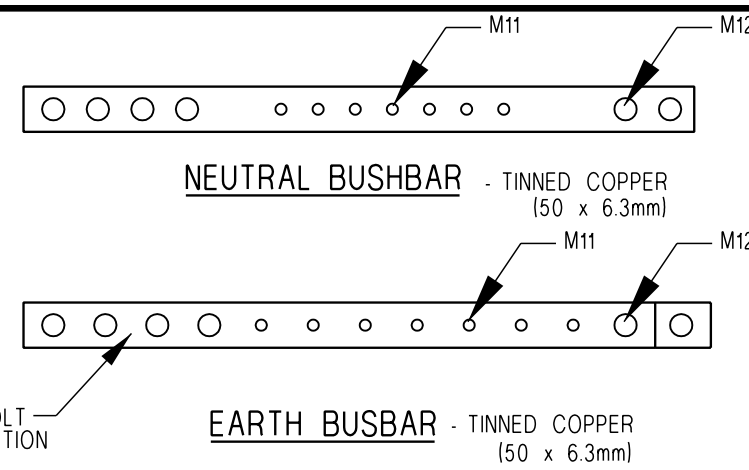
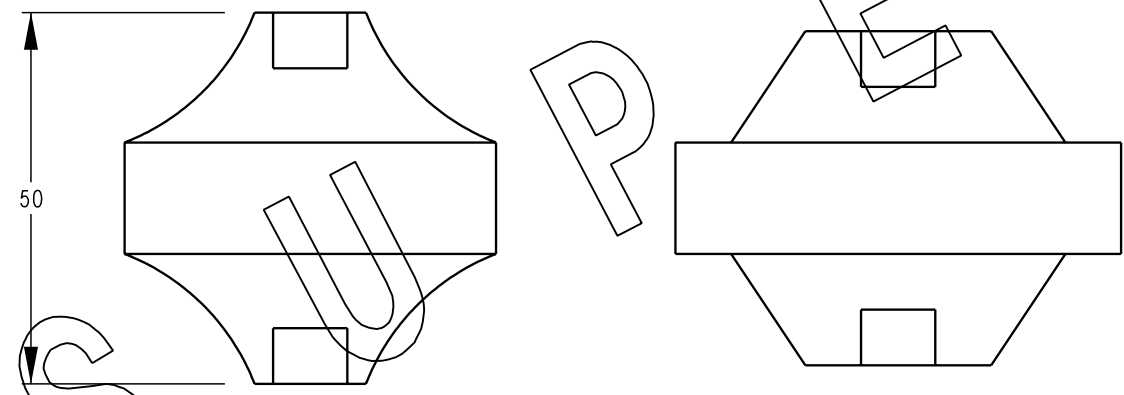


MATERIAL - TINNED COPPER



INSULATING MOUNTING RAIL - FIBERGLASS



REMOVABLE LINK

NO	DESCRIPTION	DRN	DATE	CKD	APPD
1	SUPERSEDED	A.T.	DEC'12	B.C.	B.C.
AMENDMENTS					



DES B.C.	POWER STANDARD DRAWING		
DRN K.I.	PACKAGE SUBSTATIONS		
CKD B.C.	LOW VOLTAGE FITTINGS		
APPD S.C.	A3	DRAWING NUMBER	S02-01-07-09
SCALE NTS			
ISSUED JUL'06			
ALL DIM. IN mm			
DRAFTING STANDARD TO A.S.1100		CAD PRODUCT - DO NOT AMEND MANUALLY	