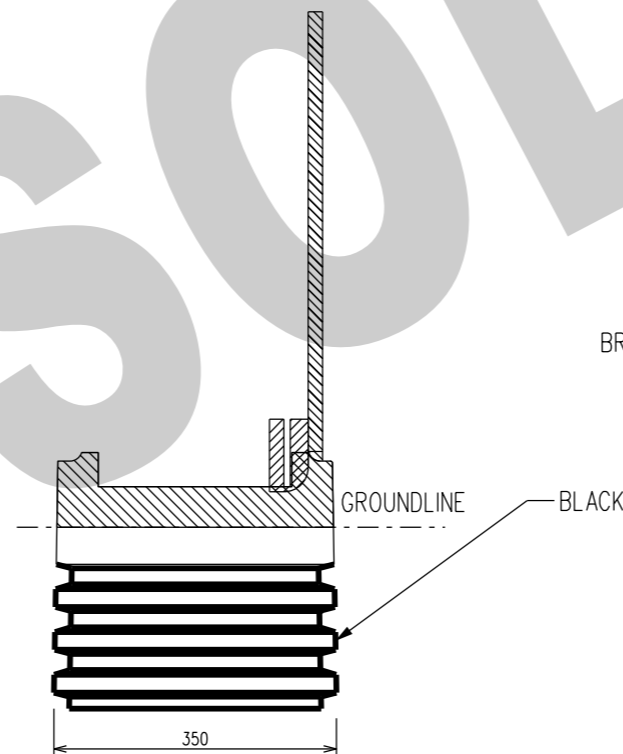
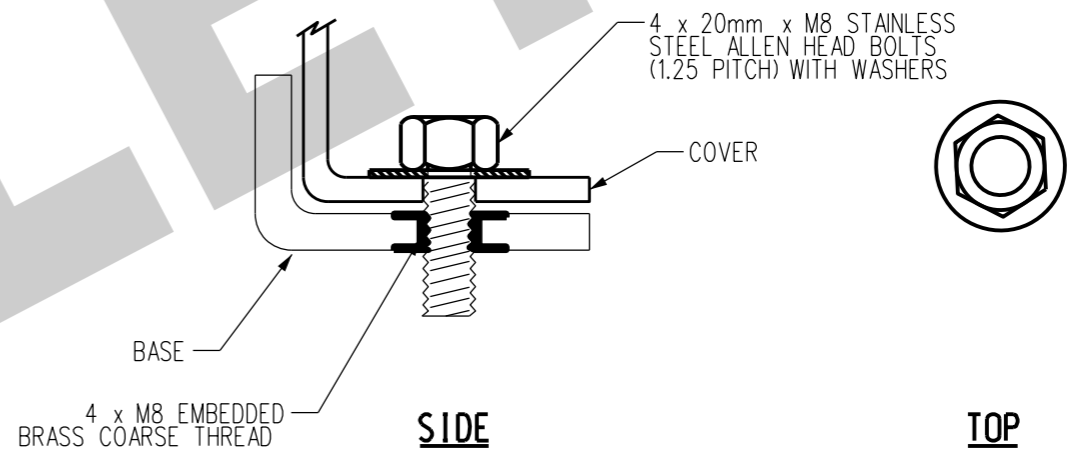


FRONT VIEW



SIDE VIEW



SIDE

TOP

NOTES:

TURRET TO BE CONSTRUCTED OF UV STABILISED PLASTIC.
BOLTS AND WASHERS TO BE SUPPLIED WITH TURRET.

2	1	SIGN 'DANGER - ELECTRICITY'	-	S02-01-08-03
1	1	SIGN PILLAR	-	S02-01-08-30
ITEM	QTY.	DESCRIPTION	STOCK CODE	DRAWING No.

NO	DESCRIPTION	DRN	DATE	CKD	APPD
3	CHANGED TO 'OBSOLETE'	R.A.	JUL'21	C.C.C.	B.V.
2	SUPERSEDED	A.T.	DEC'12	B.C.	B.C.
1	ITEMS 1 AND 2 ADDED	A.S.	AUG'06	R.S.	S.C.
0	ISSUED FOR CONSTRUCTION	K.I.	OCT'05	C.C.	C.C.
AMENDMENTS					



DES	-	POWER STANDARD DRAWING		
DRN	K. IBBOTT	DISTRIBUTION - PILLARS		
CKD	R. CLEOPAS	STREET SIDE TYPE		
APPD	C. CAMILLERI	SINGLE TURRET		
SCALE	N.T.S.	A3	DRAWING NUMBER	S02-01-03-10
ISSUED	JUNE'05			
ALL DIM.	IN mm	DRAFTING STANDARD TO A.S.1100		CAD PRODUCT - DO NOT AMEND MANUALLY



AMDT