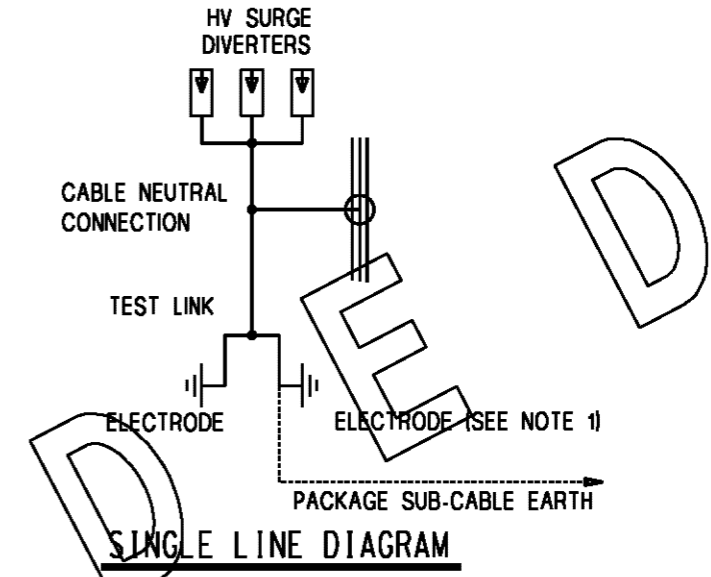


REFER TO DRAWING Nos. S01-02-03-11, S01-02-03-12 & S01-02-03-13 FOR APPROPRIATE EARTHING ARRANG'T



NOTES

1. IN THE CASE OF A CABLE TERMINATION POLE TO PACKAGE SUBSTATION, ONE ELECTRODE GROUP IS TO BE REPLACED BY A RETURN EARTH TO THE PACKAGE SUBSTATION IN THE BOTTOM OF THE HV TRENCH.
2. COMBINED EARTH ELECTRODES AND POLE FOOTING EARTH RESISTANCE TO BE 30 OHMS MAX. WHEN ALL EXTERNAL HV AND LV M.E.N. CONNECTIONS ARE DISCONNECTED.
3. BUSBAR TO BE FIXED TO POLE WITH POWER FASTENERS (E.G. RAMSET) AT MAXIMUM 1000 mm CENTRES, U.N.O.
4. ALL UNDER GROUND CABLE EARTH SHIELDS PLUS THE SURGE DIVERTERS EARTH MUST BOLT TO THE POLE AT THE SAME POSITION.
5. ENSURE DESTINATION TAGS ARE PLACED ON THE CABLE ABOVE THE CABLE PROTECTION AT EACH CABEL TERMINATION POLE.
6. HEAT SHRINK PHASE I.D. ON EACH CABLE BELOW CABLE TERMINATION POINT
7. ALL UNDER GROUND EARTH SCREENS ARE TO BE ATTACHED TO THE POLE, AT THE SAME POSITION AS THE SURGE DIVERTER BUSBAR, WITH THEIR OWN STUD ON THE EARTH BUSBAR.

3 S01-02-03-10 REFER NOTE 7
6 S01-02-03-10

TAG No	QTY.	DESCRIPTION	STOCK CODE	DRG REF
5	1	WASHER, SPRING, M10.	114314	S01-01-04-15
4	1	WASHER, FLAT, M10.	113977	S01-01-04-15
3	1	BOLT M10 x 30 C/W NUT	114405	-
2	1	EARTHING BUSBAR - HV ARRESTOR	251405	S01-01-05-02
1	7 m	BUSBAR - COPPER - 25 mm x 3 mm	9837	S01-01-05-05

MATERIAL SCHEDULE

NO	DESCRIPTION	DRN	DATE	CKD	APPD
07	SUPERSEDED	A.T.	DEC'12	B.C.	B.C.
06	NOTE 7 ADDED	J.C.	MAR'08	B.C.	S.C.
05	NOTES 5 AND 6 ADDED	J.C.	NOV'07	B.C.	B.C.
04	EDO X-ARM ASSEMBLY REPOSITIONED ON OPPOSITE SIDE OF POLE.	J.A.L	APR'95	S.C.M	P.J.D
03	TAG 1 AMENDED	G.R.	FEB'94	P.M.C	C.H.Y.
02	EARTHING ARRANGEMENT MODIFIED TO SUIT METAL OXIDE SURGE DIVERTER	GMCK	OCT'92	N.S.	B.T.K.

AMENDMENTS



DES	T.M.L.
DRN	P.M.C.
CKD	N.S.
APPD	B.T.KENT
SCALE	1:40
ISSUED	FEB'91
ALL DIM.	IN mm
DRAFTING STANDARD TO A.S.1100	

EARTHING HV - CABLE TERMINATION POLE

A3 DRAWING NUMBER S01-02-03-07

CAD PRODUCT - DO NOT AMEND MANUALLY

