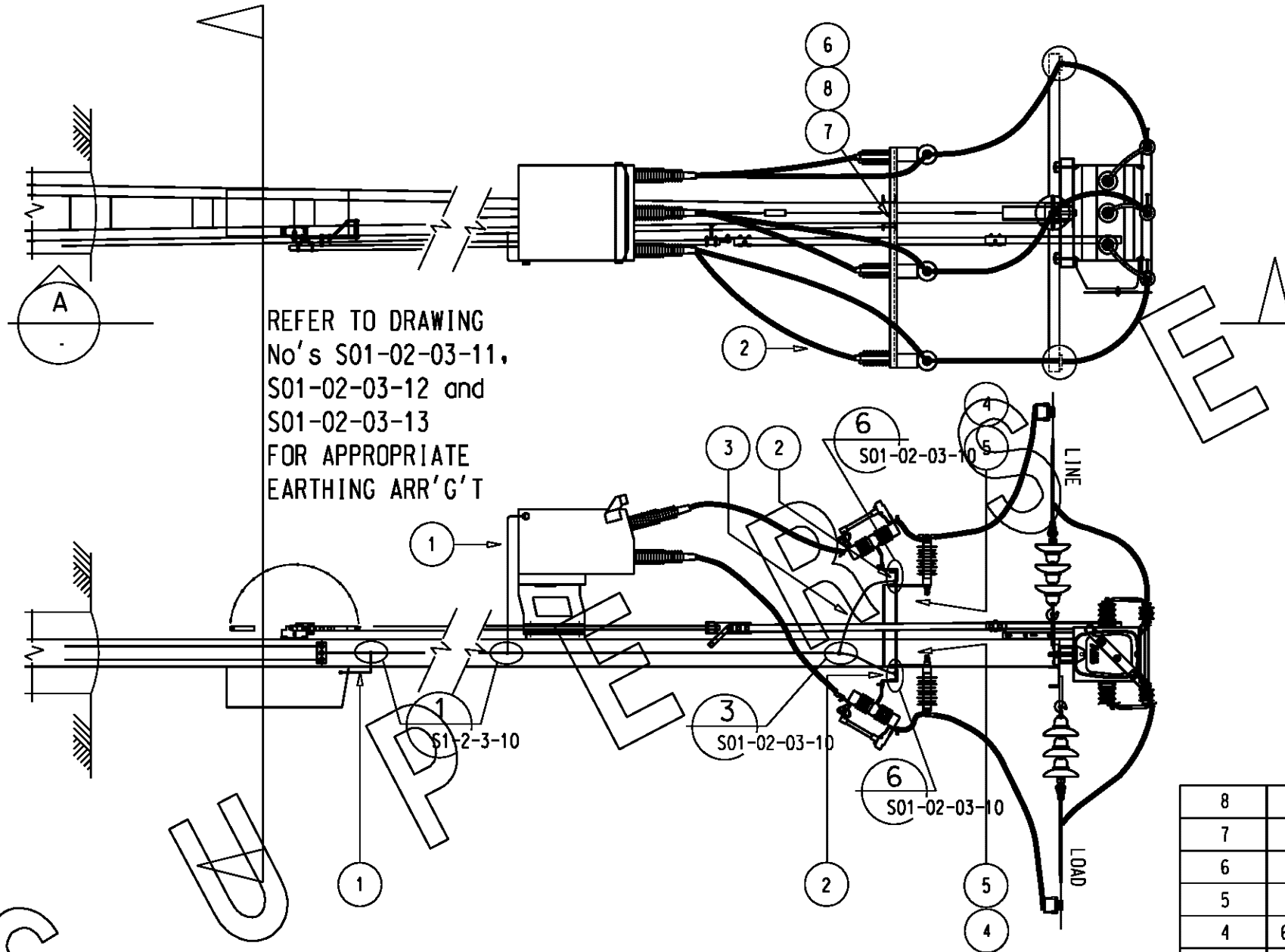
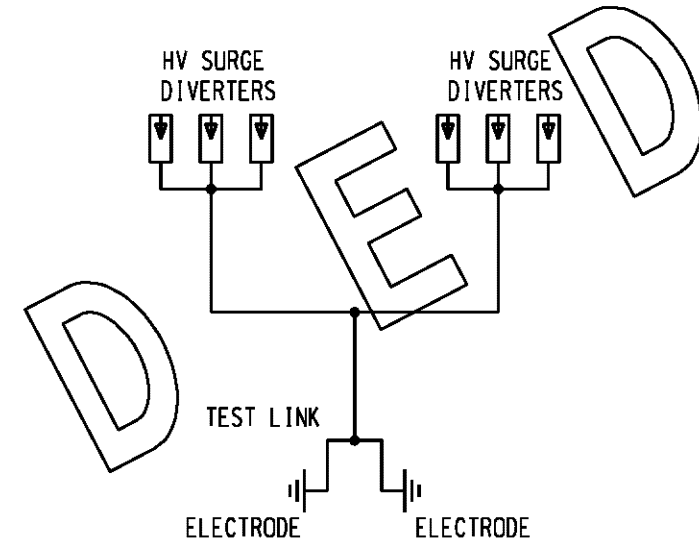


ELEVATION
Scale 1:40

SECTION
Scale 1:40



REFER TO DRAWING
No's S01-02-03-11,
S01-02-03-12 and
S01-02-03-13
FOR APPROPRIATE
EARTHING ARR'G'T



SINGLE LINE DIAGRAM

NOTE :

1. FOR CONSTRUCTION DETAILS REFER TO DWG S01-02-01-38

TAG No	QTY.	DESCRIPTION	STOCK CODE	DRG REF
8	6	WASHER, SPRING, M10	114405	-
7	2	WASHER, FLAT, M 10	113977	-
6	2	BOLT M10x30LG C/W NUT	114405	-
5	6	EARTH DISCONNECTOR	249458	-
4	6 m	CONDUCTOR - COPPER 77/0.4 10sq.mm	-	-
3	1 m	CONDUCTOR - COPPER 19/2.14 - 70sq.mm	9803	S01-01-05-05
2	1	EARTHING BUSBAR - METAL OXIDE DIVERTER	251413	S01-01-05-02
1	7 m	STRAP, EARTHING, BARE COPPER 25mm x 3mm	9837	S01-01-05-05

MATERIAL SCHEDULE

NO	DESCRIPTION	DRN	DATE	CKD	APPD
6	SUPERSEDED	A.T.	DEC'12	B.C.	B.C.
5	NOTE CHANGED	A.S.	MAY'07	R.S.	S.C.
4	ADD NEW GSB ASSEMBLY	K.I.	SEP'06	R.S.	-
3	LINE AND LOAD TEXT REVERSED, TITLE BLOCK UPDATED	SBB	NOV'97	D.T.	G.H.
2	LINE AND LOAD SIDE DESIGNATED	J.A.L.	MAY'95	P.J.D.	A.G.B.
1	TAG 1 AMENDED	G.R.	FEB'94	C.H.Y.	pmc

DES	A.Greenwood	POWER STANDARD DRAWING	
DRN	g.mck	EARTHING SWITCH GEAR	
CKD	N.Stubs	22kV RECLOSER - POLE MOUNTED	
APPD	B.T.KENT	GENERAL ARRANGEMENT	
SCALE	as shown	A3	DRAWING NUMBER S1-02-03-14
ISSUED	JUL '93		
ALL DIM.	IN mm	DRAWING NUMBER S1-02-03-14	
DRAFTING STANDARD TO A.S.1100		CAD PRODUCT - DO NOT AMEND MANUALLY	

