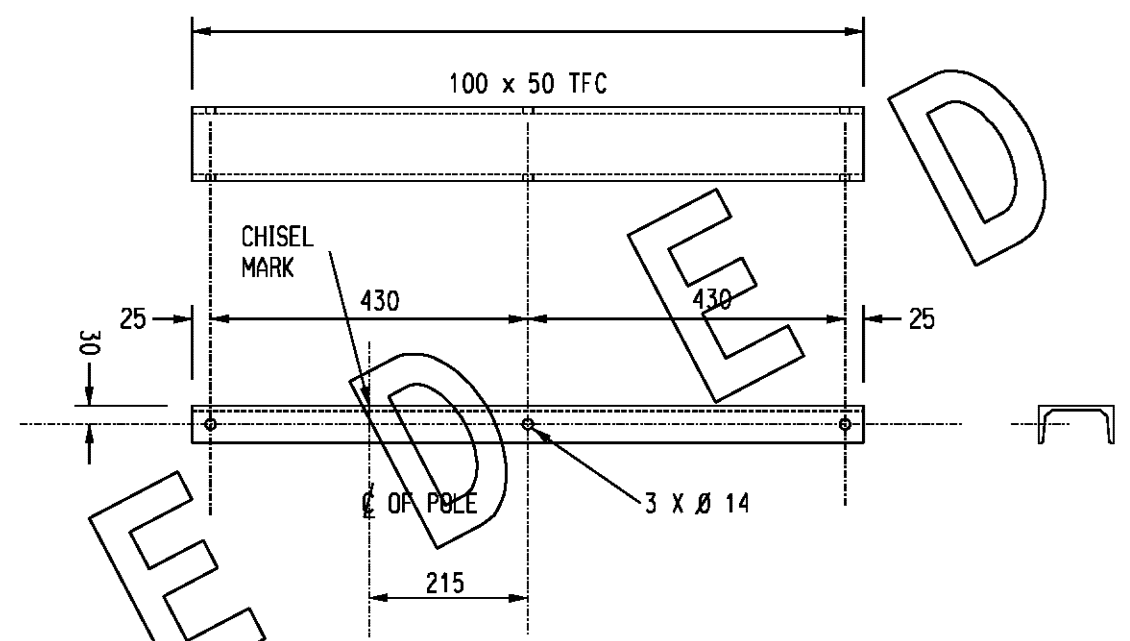
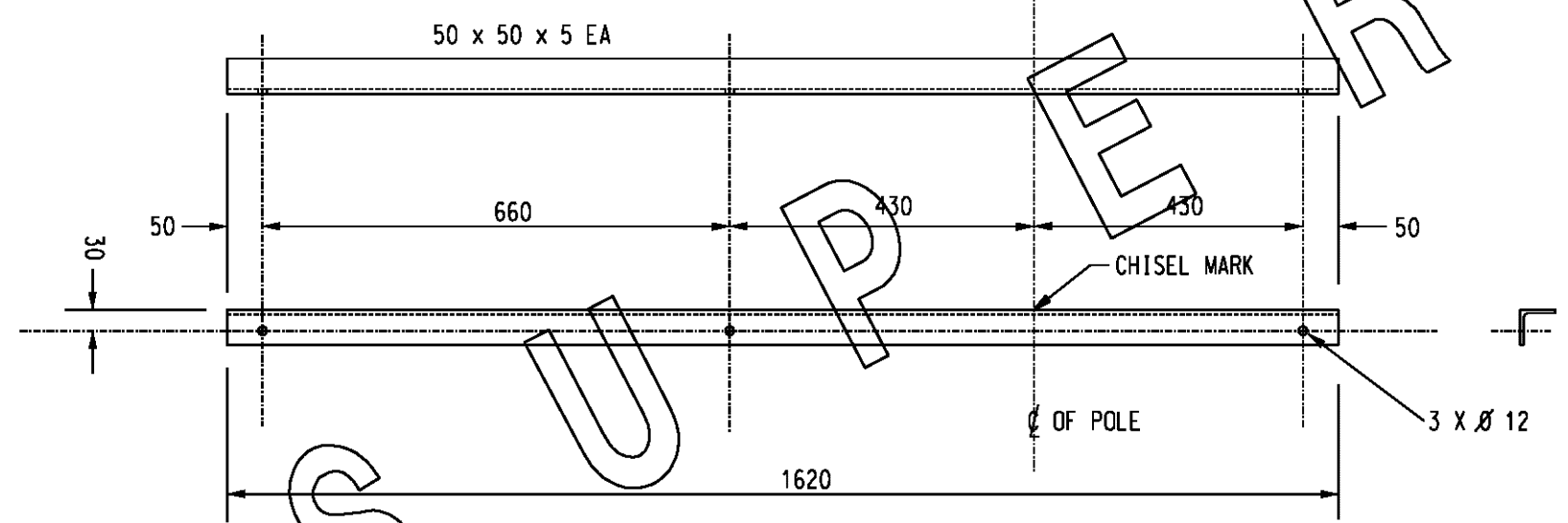


ITEM 1 - CROSSARM - HV EDO MOUNTING
(Stock Code - 250829)



ITEM 2 - CROSSARM - HV STANDOFF INSULATOR
(Stock Code - 9365)



ITEM 3 - CROSSARM - HV METAL OXIDE SURGE DIVERTER
(Stock Code - 251702)

STEELWORK NOTES

1. ALL MATERIALS SHALL BE IN ACCORDANCE WITH AS3678 AND AS3679.
2. ALL ROUGH OR BURRED EDGES ARE TO BE DRESSED CLEAN.
3. HOLE AND SLOT NEEDED ON BOTH SIDES OF EDO MOUNTING CROSSARM (ITEM 1).

| NO | DESCRIPTION | DRN | DATE | CKD | APPD |
|------------|--|--------|--------|----------|--------|
| 14 | SUPERSEDED | A.T. | DEC'12 | B.C. | B.C. |
| 13 | DIMENSION BETWEEN Ø AND SLOT CHANGED. 17 DIA HOLE ADDED. | J.A.L. | JUN'98 | - | F.R.R. |
| 12 | NOTE 3 ADDED. ITEM 1 DETAIL AMENDED. ITEM 2 DETAIL AMENDED. | J.A.L. | JUN'95 | S.C.M.P. | J.D. |
| 11 | REDRAWN. ITEM 1 NOW STOCK CODE 250829. ITEM 2 REVISED. ITEM 3 AND 4 REMOVED. | gmck | OCT'92 | N.S. | B.T.K. |
| AMENDMENTS | | | | | |



| | | | |
|-------------------------------|----------|-------------------------------------|-----------------------------|
| DES | - | POWER STANDARD DRAWING | |
| DRN | gmck | CROSSARMS | |
| CKD | N.Stubbs | SPECIAL PURPOSE | |
| APPD | B.T.Kent | HV | |
| SCALE | N.T.S. | A3 | DRAWING NUMBER S01-01-02-03 |
| ISSUED | OCT'92 | | |
| ALL DIM. | IN mm | DRAWING NUMBER S01-01-02-03 | |
| DRAFTING STANDARD TO A.S.1100 | | CAD PRODUCT - DO NOT AMEND MANUALLY | |

