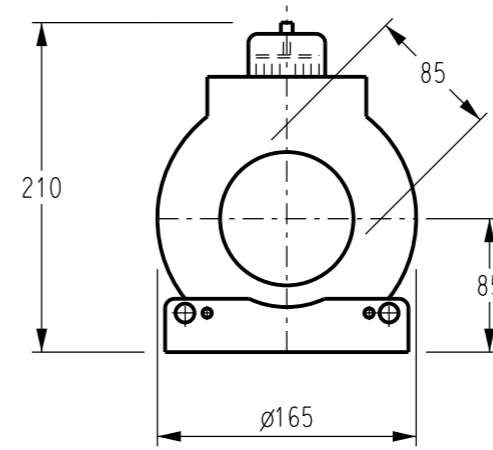
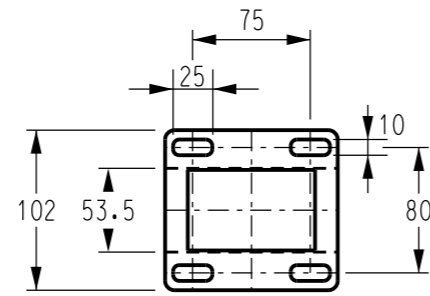


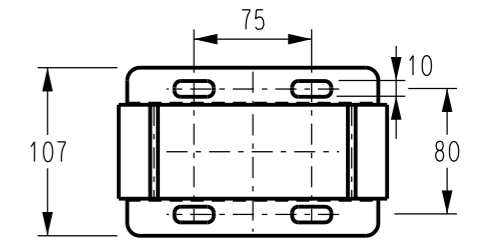
TYPE S - ITEM 1

ITEM NUMBER: 503410



TYPE T - ITEM 2

ITEM NUMBER: 503411

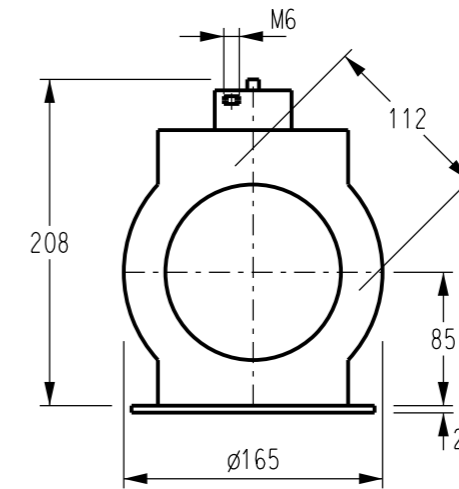


MATERIAL & CONSTRUCTION

ENCAPSULATION - EPOXY RESIN
 OUTER CASE - FIBREGLASS FILLED POLYESTER RESIN
 TERMINAL COVER - ROUND CLEAR POLYCARBONATE
 TERMINAL COVER SEALING SCREWS - BRASS, NICKEL PLATED
 TERMINALS - 6mm, BRASS, SILVER PLATED WITH SILVER
 PLATED NUTS, SPRING WASHERS - STAINLESS STEEL
 BASE - ANODISED ALUMINIUM, ZINC PLATED STEEL OR STAINLESS STEEL

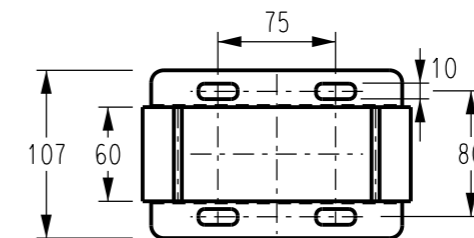
NOTES:

1. EXTENDED RANGE CURRENT TRANSFORMERS MUST COMPLY WITH AS 60044.1
2. EXTENDED RANGE CURRENT TRANSFORMERS MUST COMPLY WITH PWC STANDARD SPECIFICATION STSP 02-012
3. EACH CURRENT TRANSFORMER MUST BE SUPPLIED WITH A TEST CERTIFICATE FROM A NATA ACCREDITED LABORATORY



TYPE W - ITEM 3

ITEM NUMBER: 503409



ESAA TYPE SPECIFICATION:	TYPE S	TYPE T	TYPE W
CURRENT RATIO (Ip/Is)	200/5A	800/5A	1500/5A
ACCURACY CLASS:	0.5S		
BURDEN/VA:	0.2 OHM/5 VA	0.6 OHM/15 VA	0.6 OHM/15 VA
EXTENDED PRIMARY CURRENT:	200%		
RANGE OF LOADING:	2A TO 400A	8A TO 1600A	15A TO 3000A
THERMAL LIMIT CURRENT:	200%		
SHORT TIME CURRENT:	63 KA / 1 sec		
FREQUENCY:	50HZ		
INSULATION LEVEL:	3KV		
SYSTEM VOLTAGE:	0.72KV		

2	UPDATED TITLE BLOCK, CONSTRUCTION, ITEM NUMBERS, TABLE & DIMENSIONS. ADDED NOTES 1, 2 & 3. HIGH MOUNT REMOVED.	A.N.	OCT'20	C.C.C.	B.C.
1	STOCK CODES ADDED	K.I.	MAR'07	R.S.	S.C.
NO	DESCRIPTION	DRN	DATE	CKD	APPD
AMENDMENTS					



DES	R.S.	POWER STANDARD DRAWING	
DRN	K.I.	EXTENDED RANGE CURRENT TRANSFORMER	
CKD	R.S.		
APPD	S.C.		
SCALE	1:5	A3	DRAWING NUMBER S11-02-07-44
ISSUED	JAN'07		
ALL DIM.	IN mm	CAD PRODUCT — DO NOT AMEND MANUALLY	
DRAFTING STANDARD TO A.S.1100		AMDT	