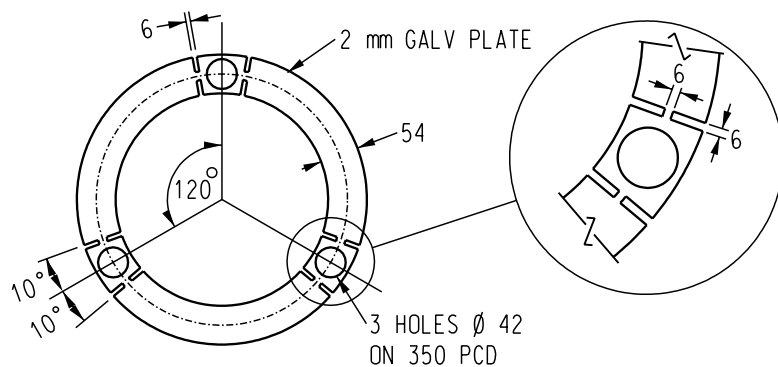


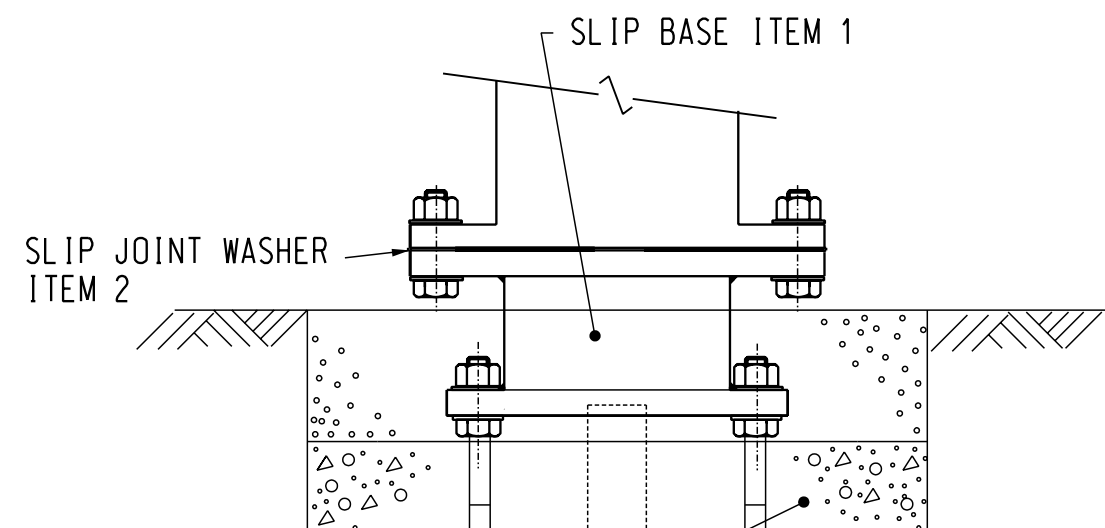
PLAN

REFER S03-01-05-14 FOR CABLE CLAMP DETAILS



ITEM 2 - SLIP JOINT WASHER

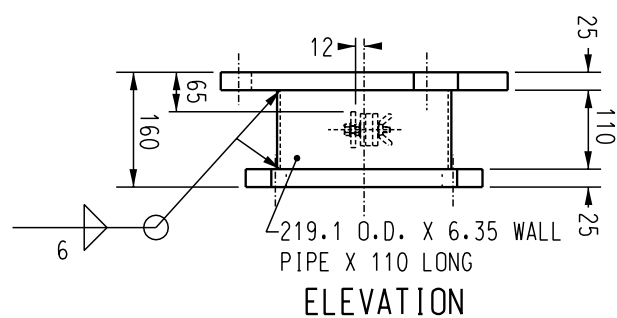
SCALE 1:10



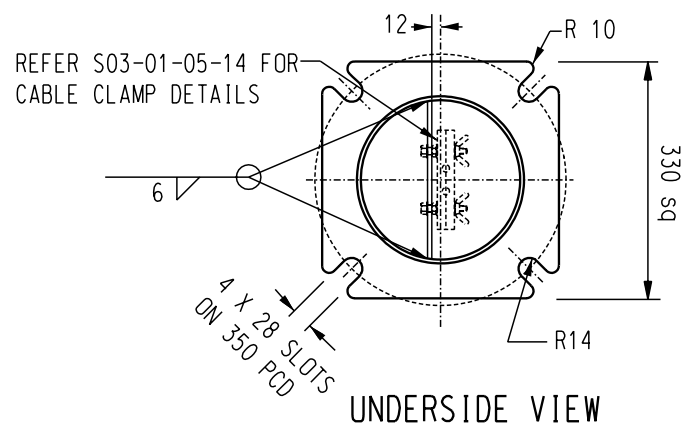
FOR FOOTING DETAILS
REFER DRG S03-01-02-04

SLIP BASE GENERAL ARRANGEMENT

SCALE N.T.S.



ELEVATION



UNDERSIDE VIEW

ITEM 1 - SLIP BASE

SCALE 1:10

NOTES :

1. ALL WELDING AND WELD PREPARATION SHALL BE IN ACCORDANCE WITH AS 1554.
2. EACH SLIP BASE TO BE SUPPLIED WITH 3 OFF M36 HIGH TENSILE CLAMPING BOLT, WASHER AND NUT ASSEMBLIES (ALL HOT DIP GALVANIZED).
3. SLIP BASE AND SLIP JOINT WASHER MATERIAL TO BE STEEL GRADE 250 MINIMUM TO AS 3673.
4. CIRCUMFERENTIAL WELDS TO BE JOGGLED BUTT TYPE. LONGITUDINAL WELDS TO BE SINGLE BUTT TYPE. ALL WELDS TO BE MADE BY CONTINUOUS AUTOMATIC PROCESS AND ARE NOT TO BE DRESSED SMOOTH.
5. AFTER FABRICATION ALL COMPONENTS TO BE ACID DE-SCALED AND HOT DIPPED GALVANIZED MINIMUM 450g/sq.m TO AS4680.

REFERENCE DRAWINGS

- S03-01-01-11 : COLUMN STREET LIGHTING, SLIP BASE, TAPERED STEEL 12.0 m OUTREACH TYPE.
- S03-01-02-02 : RAG BOLT REINFORCEMENT, TYPE 12 & TYPE 18 FABRICATION DETAILS
- S03-01-02-04 : RAG BOLT REINFORCEMENT SLIP BASE 12.0 m COLUMN, FOUNDATION ARRANGEMENT.
- S03-01-02-05 : INSTALLATION DETAILS, MECHANICAL AND ELECTRICAL.
- S03-01-05-14 : ELECTRICAL CONNECTION DETAILS, SLIP BASE, 12 m COLUMN.
- S03-01-06-03 : MISCELLANEOUS SLIP BASE POLE & PIT CONNECTION DETAILS.

2	TITLEBLOCK & DRAWING NUMBERS FORMATTED	K.T.	FEB'19	C.C.	C.C.
1	GALVANIZING STANDARD UPDATED TO AS4680	A.T.	JAN'13	B.C.	B.C.
NO	DESCRIPTION	DRN	DATE	CKD	APPD
AMENDMENTS					



NORTHERN TERRITORY

DES	M. BOCK	POWER STANDARD DRAWING		
DRN	J. LIVESLY	COLUMN, TAPERED STEEL, 12.0m, OUTREACH		
CKD	M. BOCK	TYPE : SLIP-BASE MOUNTED		
APPD	F. ROBSON	SLIP BASE		
SCALE	AS SHOWN	SPECIFICATION AND FABRICATION DETAILS		
ISSUED	FEB'97	A3	DRAWING NUMBER	S03-01-01-12
ALL DIM.	IN mm			2
DRAFTING STANDARD TO A.S.1100		CAD PRODUCT - DO NOT AMEND MANUALLY		AMDT