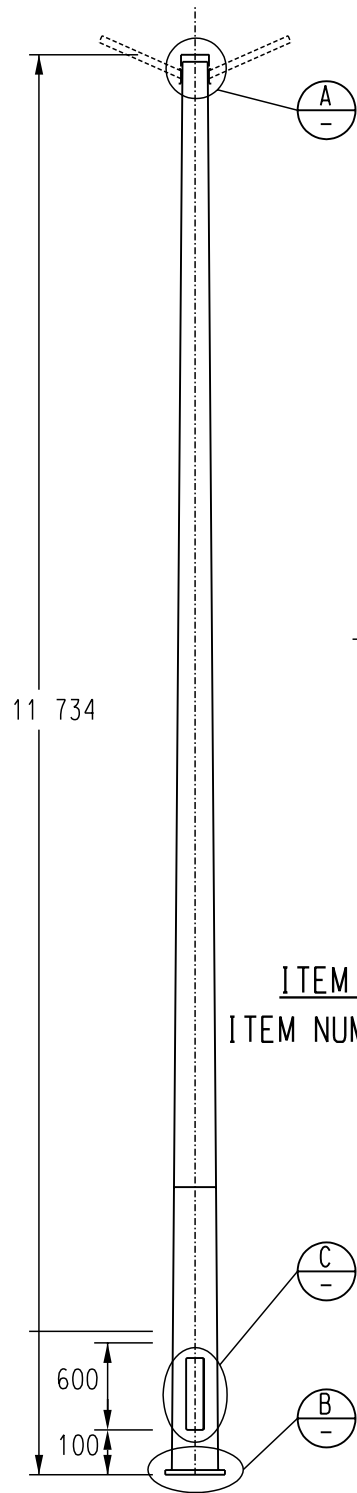
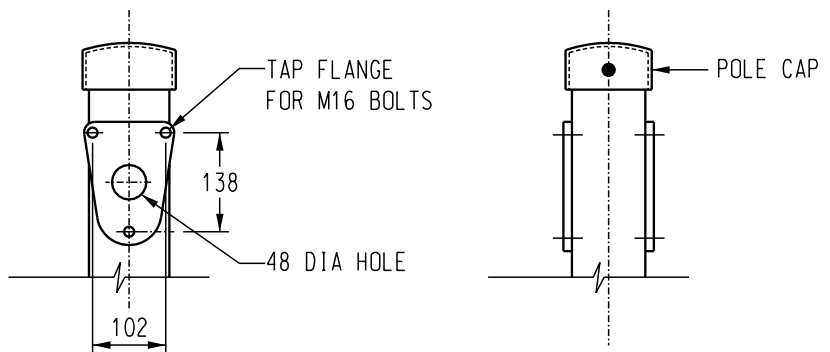


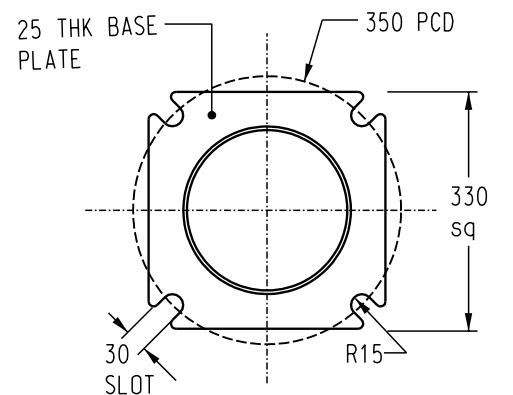
3RD ANGLE -DO NOT SCALE - REPORT ANY ERRORS, OMISSIONS TO DRAFTING OFFICE



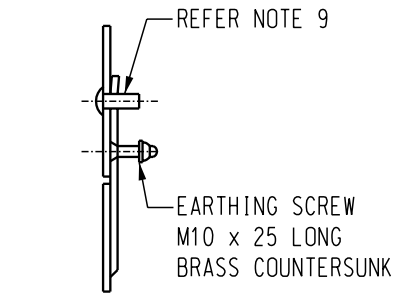
ITEM 1 - VIAC
ITEM NUMBER 219055



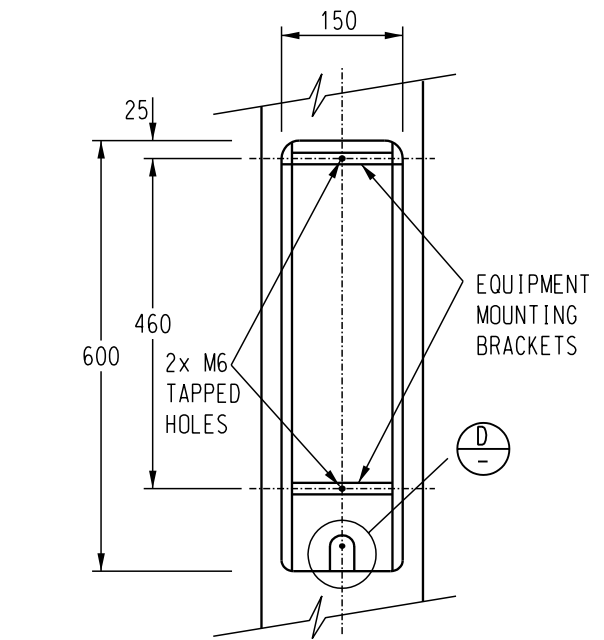
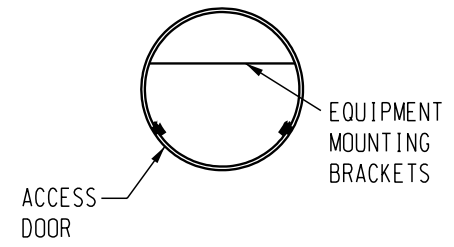
OUTREACH MOUNTING PLATE - DETAIL A
SCALE 1:10



BASE PLATE - DETAIL B
SCALE 1:10



DETAIL D
SCALE 1:5



EQUIPMENT ACCESS - DETAIL C
SCALE 1:10
(DOOR REMOVED FOR CLARITY)

DESIGN PERFORMANCE:

THE TENDER SHALL SUPPLY EVIDENCE OF TESTING WHICH DEMONSTRATES THE ADEQUACY AND SUITABILITY OF THE COLUMN AS BEING IMPACT ABSORBENT.

TYPICAL OF THE PERFORMANCE REQUIRED IS THAT FOR FRONTAL IMPACT OF A VEHICLE OF 1200kg MASS IMPACTING AT 60km/h, THE COLUMN WILL PRODUCE DECELERATIONS, MEASURED AT THE VEHICLE FLOOR PAN, NO GREATER THAN 10G AVERAGED OVER ANY 50 MILLISECOND PERIOD, NOR GREATER THAN 10G FOR ANY PERIOD LONGER THAN 10 MILLISECONDS.

THE TENDERER SHALL SUBMIT CALCULATIONS OR TEST RESULTS TO PROVE COMPLIANCE WITH WIND LOAD CRITERIA.

NOTES :

- ALL WELDING AND WELD PREPARATION SHALL BE IN ACCORDANCE WITH AS1554.
- CIRCUMFERENTIAL WELDS TO BE JOGGLED BUTT TYPE. LONGITUDINAL WELDS TO BE SINGLE BUTT TYPE. ALL WELDS TO BE MADE BY CONTINUOUS AUTOMATIC PROCESS AND ARE NOT TO BE DRESSED SMOOTH.
- AFTER FABRICATION ALL COMPONENTS TO BE ACID DE-SCALED AND HOT DIPPED GALVANIZED MINIMUM 450g/sq.m TO AS4680.
- WIND LOADINGS TO COMPLY WITH THE REQUIREMENTS OF AS1170.2 - SECTION 4 DESIGNS ARE TO BE BASED ON -
 - MAXIMUM WIND SPEED OF $V_u = 66\text{m/sec}$ DERIVED FROM A DESIGN LIFE OF 25 YEARS WITH A 5% PROBABILITY FACTOR OF V_u BEING EXCEEDED IN THAT PERIOD.
 - MAXIMUM WIND SPEED OF $V_s = 47\text{m/sec}$ DERIVED FROM A DESIGN LIFE OF 25 YEARS WITH A 63% PROBABILITY FACTOR OF V_s BEING EXCEEDED IN THAT PERIOD WITH A MAXIMUM DEFLECTION LIMIT OF 4% OF NOMINAL LENGTH.
 - REGION 'C' AND TERRAIN CATEGORY '3'
 - 4.5m OUTREACH ARMS AS SHOWN ON DRAWING S03-01-01-10.
 - LUMINAIRE'S WITH A WIND AREA OF 0.13sq.m, A MASS OF 12kg EACH AND DRAG CO-EFFICIENT OF 0.5
- COLUMNS ARE TO CONFORM TO THE REQUIREMENTS OF AS4100 AND AS1798.
- COLUMNS ARE TO HAVE CONTINUOUS TAPER OVER THEIR ENTIRE LENGTH AND A STEEL THICKNESS OF NOT LESS THAN 3mm.
- TWO PIECE COLUMNS MUST BE ASSEMBLED PRIOR TO DELIVERY.
- ACCESS DOORS ARE NOT INTERCHANGEABLE. ENSURE THAT INDIVIDUAL COLUMNS AND DOORS ARE SUITABLY MATCHED AND MARKED.
- EQUIPMENT ACCESS DOOR TO BE PROVIDED (DETAIL C) HAVING 'TAMPER PROOF' LOCKING DEVICE. DOOR ACCESS SCREW TO BE M10 STAINLESS STEEL I.S.O. METRIC BUTTON HEAD SOCKET TYPE.
- ALL COLUMNS ARE TO BE MANUFACTURED TO ACCEPT THE MOUNTING OF OUTREACHES AS SHOWN ON DRAWING S03-01-01-10.
- ALL POLE MANUFACTURERS SHALL COMPLY WITH ISO 3834.

8	TITLEBLOCK & DRAWING NUMBER FORMATTED	K.T.	FEB'19	C.C.	C.C.
7	GALVANIZING STANDARD UPDATED TO AS4680 NOTE 11 ADDED	A.T.	JAN'13	B.C.	B.C.
6	ACCESS PANNEL HEIGHT CHANGED	J.C.	MAR'09	A.T.	S.C.
NO	DESCRIPTION	DRN	DATE	CKD	APPD
AMENDMENTS					



DES	-	POWER STANDARD DRAWING		
DRN	A.DAVIS	COLUMN TAPERED STEEL VEHICLE IMPACT ABSORBING COLUMN (VIAC) 12 METRE - DOUBLE OUTREACH TYPE		
CKD	R.INNES			
APPD	F.ROBSON			
SCALE	AS SHOWN			
ISSUED	MAY'98	A3	DRAWING NUMBER	S03-01-01-04
ALL DIM.	IN mm			8
DRAFTING STANDARD TO A.S.1100		CAD PRODUCT - DO NOT AMEND MANUALLY		AMDT