

NOTES

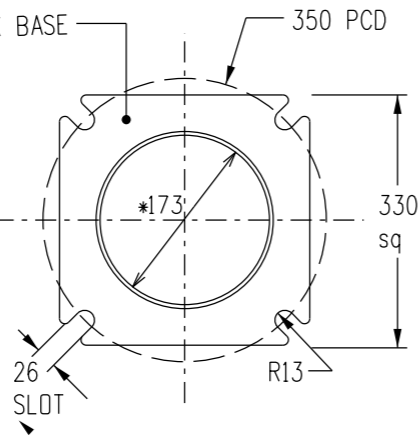
1. ALL WELDING AND WELD PREPARATION SHALL BE IN ACCORDANCE WITH AS1554.
2. CIRCUMFERENTIAL WELDS TO BE JOGGLED BUTT TYPE. LONGITUDINAL WELDS TO BE SINGLE BUTT TYPE. ALL WELDS TO BE MADE BY CONTINUOUS AUTOMATIC PROCESS AND ARE NOT TO BE DRESSED SMOOTH.
3. AFTER FABRICATION ALL COMPONENTS TO BE ACID DE-SCALED AND HOT DIPPED GALVANIZED MINIMUM 450g/sq.m TO AS1650.
4. WIND LOADINGS TO COMPLY WITH THE REQUIREMENTS OF AS1170.2 : 2002 DESIGNS ARE TO BE BASED ON -
 - REGIONAL WIND SPEED (V 500) = 70m/sec (66 + 5%)
 - WIND DIRECTION MULTIPLIER (Md) = 1.0
 - DESIGN LIFE = 25 YEARS
 - REGION 'C' AND TERRAIN CATEGORY '3'
 - 4.5m OUTREACH ARMS AS SHOWN ON DRAWING S03-01-01-10
 - LUMINAIRES WITH A WIND AREA OF 0.13sq.m, A MASS OF 12kg EACH AND A DRAG CO-EFFICIENT OF 0.5
5. COLUMNS ARE TO CONFORM TO THE REQUIREMENTS OF AS4100 AND AS1798.
6. COLUMNS ARE TO HAVE CONTINUOUS TAPER OVER THEIR ENTIRE LENGTH AND A STEEL THICKNESS OF NOT LESS THAN 3MM.
7. TWO PIECE COLUMNS MUST BE ASSEMBLED PRIOR TO DELIVERY.
8. ACCESS DOORS ARE NOT INTERCHANGEABLE. ENSURE THAT INDIVIDUAL COLUMNS AND DOORS ARE SUITABLY MATCHED AND MARKED.
9. EQUIPMENT ACCESS DOOR TO BE PROVIDED (DETAIL C) HAVING 'TAMPER PROOF' LOCKING DEVICE. DOOR ACCESS SCREW TO BE M10 STAINLESS STEEL I.S.D. METRIC BUTTON HEAD SOCKET TYPE.
10. ALL COLUMNS TO BE MANUFACTURED TO ACCEPT THE MOUNTING OF OUTREACHES AS SHOWN ON DRAWING S03-01-01-10.
11. POLE TYPE AND SET BACK TO COMPLY WITH AS1158.13. VEHICLE IMPACT ABSORBING TYPE SHALL BE USED WHERE REQUIRED.
12. 5.5 METER COLUMN (ITEM NUMBER 407082) COMES WITH 4.5m OUTREACH

ITEM 1 - 5.5 METRE COLUMN - SINGLE OUTREACH TYPE

N.T.S.

OUTREACH MOUNTING PLATE - DETAIL

Scale 1:10



BASE PLATE - DETAIL

Scale 1:10

EQUIPMENT ACCESS - DETAIL

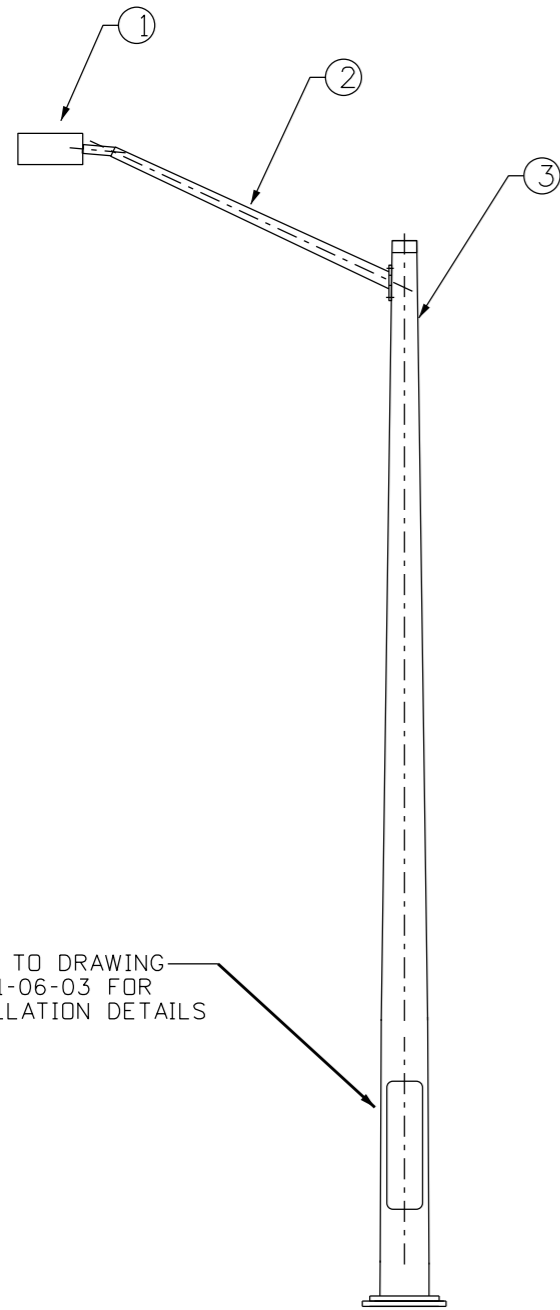
Scale 1:10

(DOOR REMOVED FOR CLARITY)

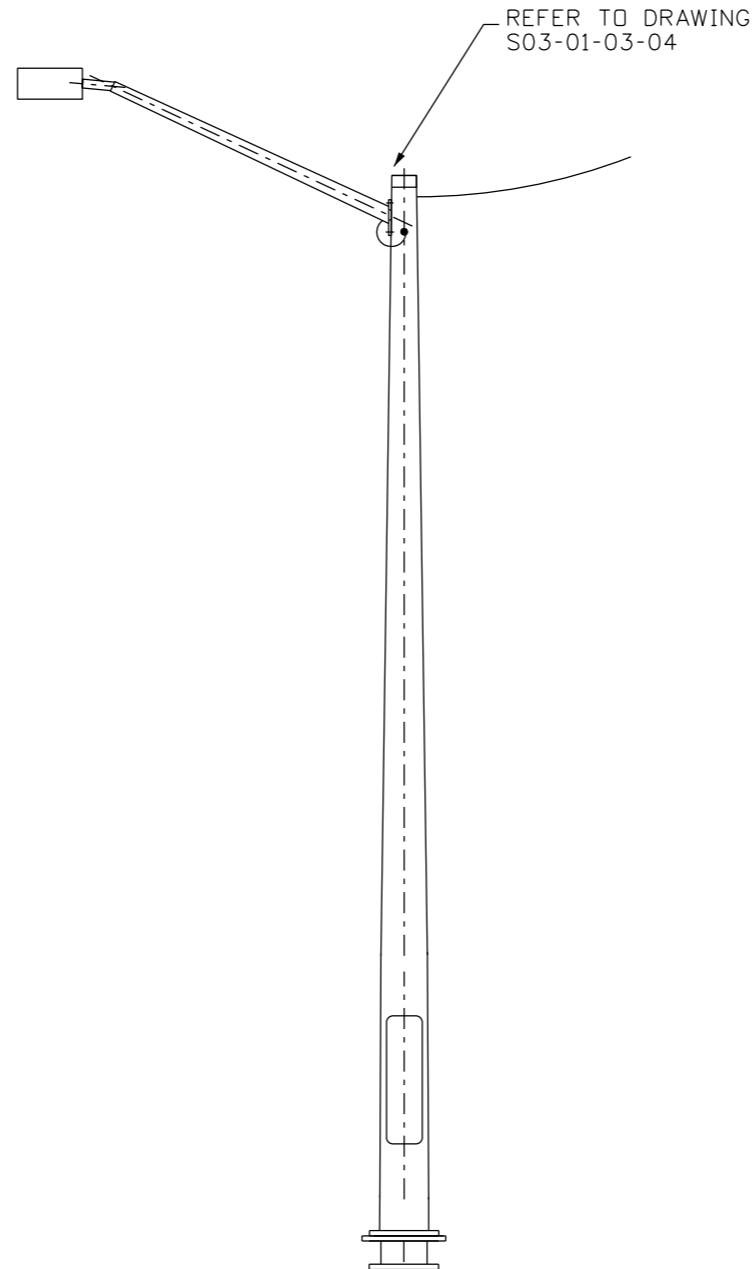
13	TITLEBLOCK & DRAWING NUMBERS FORMATTED	K.T.	FEB'19	C.C.	C.C.
12	COLUMN CHANGED TO USA C TYPE 12 ONLY NOTE 12 CHANGED	C.C.	MAY'11	A.T.	S.C.
11	NOTE 12 ADDED	J.C.	NOV'07	B.C.	B.C.
10	SHEET 2 ADDED	J.C.	SEP'07	B.C.	B.C.
8	'OBSOLETE CONSTRUCTION' NOTICE ADDED	gmck	APR'93	N.S.	B.T.K.
7	NOTE 4 AMENDED	gmck	NOV'91	N.S.	-
6	NOTE 4 AMENDED TO INCLUDE DRAG CO-EFFICIENT	gmck	SEP'91	N.S.	-
NO	DESCRIPTION	DRN	DATE	CKD	APPD
AMENDMENTS					



DES	-	POWER STANDARD DRAWING		
DRN	gmck	COLUMN TAPERED STEEL 5.5 METRE PEDESTRIAN CROSSING (SHEET 1 OF 2)		
CKD	N.STUBBS			
APPD	B.T.KENT			
SCALE	AS SHOWN			
ISSUED	FEB'91	A3	DRAWING NUMBER	S03-01-01-05_1
ALL DIM. IN mm				
DRAFTING STANDARD TO A.S.1100		CAD PRODUCT - DO NOT AMEND MANUALLY		13 AMDT



UNDERGROUND POWER SUPPLY WITH PIT



AERIAL POWER SUPPLY

ITEM	QTY	DESCRIPTION	ITEM No.	DRG REF
1	1	FLOODLIGHT - PEDESTRIAN CROSSING	406922	S03-01-04-11
2	1	OUTREACH - TOPEND STEEL	TBA	S03-01-01-11
3	1	5.5m COLUMN - SINGLE OUTREACH TYPE	-	S03-01-01-05

1. LANTERN TO INCLUDE CONTROL GEAR. MAXIMUM WEIGHT OF LANTERN AND CONTROL GEAR 12KG.
2. MINIMUM CABLE SIZES AS PER AS3000 "SAA WIRING RULES"
ALL CABLES TO COMPLY WITH MRS 11.95 "SWITCHBOARD AND CABLES"
3. ENSURE EARTH CONNECTION ARE PROPERLY TIGHTEN BEFORE INSTALLING LUMINAIRE TERMINAL PANEL.
4. POSITION OF LUMINARIES SHALL BE DETERMINED ON INSTALLATION.
CONTACT DEPARTMENT OF PLANING AND INFRASTRUCTURE (DIPE) FOR DETAILS
5. LAMP AND CONTROL GEAR TO BE CONNECTED ACCORDING WITH MANUFACTURES SPECIFICATIONS

NO	DESCRIPTION	DRN	DATE	CKD	APPD
2	TITLEBLOCK & DRAWING NUMBERS FORMATTED	K.T.	FEB'19	C.C.	C.C.
1	POLE BASE CHANGED, LANTERN TYPE CHANGED	C.C.	JUN'11	B.C.	S.C.
0	ISSUED FOR CONSTRUCTION	J.C.	SEP'07	B.C.	B.C.
AMENDMENTS					

PowerWater
NORTHERN TERRITORY

DES	-	POWER STANDARD DRAWING		
DRN	gmck	COLUMN TAPERED STEEL 5.5 METRE PEDESTRIAN CROSSING (SHEET 2 OF 2)		
CKD	N.STUBBS			
APPD	B.T.KENT			
SCALE	AS SHOWN			
ISSUED	FEB'91	A3	DRAWING NUMBER	S03-01-01-05_2
ALL DIM. IN	mm			
DRAFTING STANDARD TO A.S.1100		CAD PRODUCT - DO NOT AMEND MANUALLY		AMDT