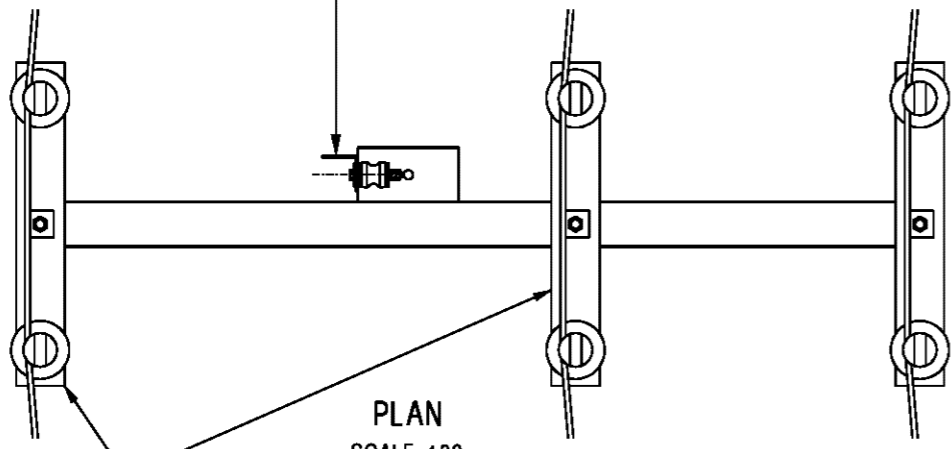
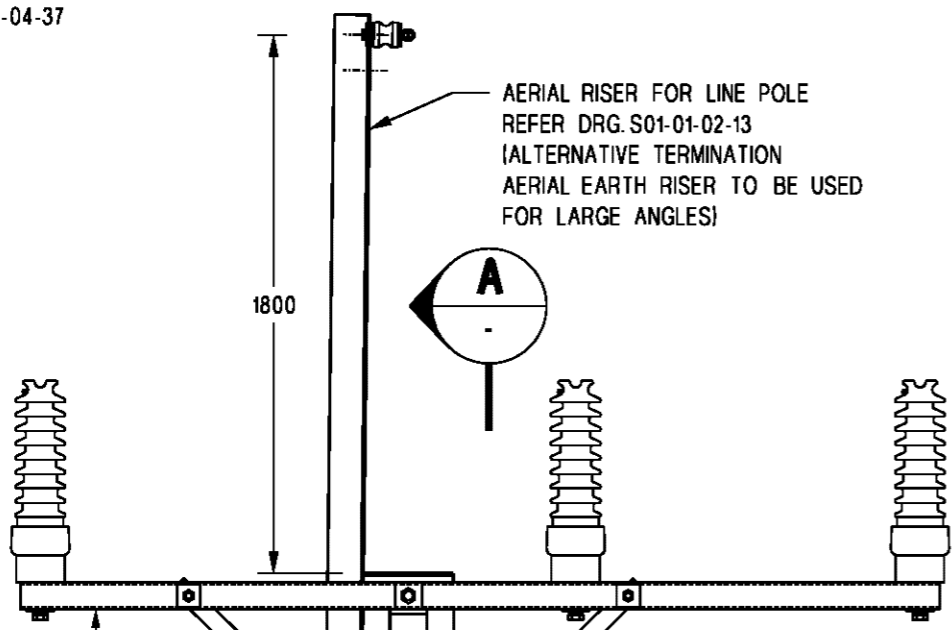


REFER TO DRG S01-01-02-13
FOR RISER DETAILS



PLAN
SCALE 1:20

'B TOP' CROSSARM BRACKET
REFER DRG NO S01-01-04-37



ELEVATION
SCALE 1:20

AERIAL RISER FOR LINE POLE
REFER DRG. S01-01-02-13
(ALTERNATIVE TERMINATION
AERIAL EARTH RISER TO BE USED
FOR LARGE ANGLES)

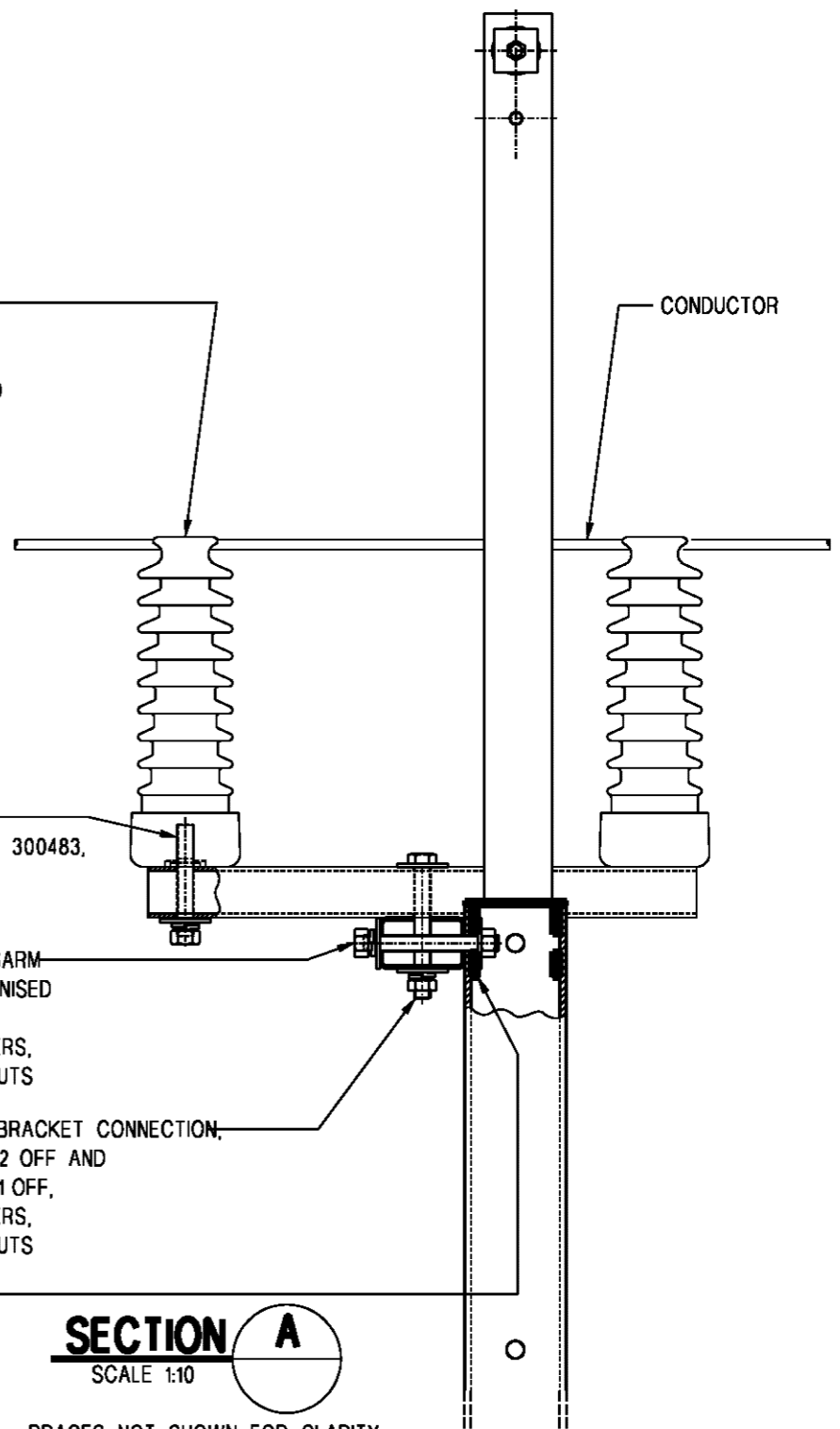
1800



HV CROSSARM
REFER DRG S01-01-02-10
ITEM 9 S/C 501656

2 x CRIMP LUGS (406766)
1 x M12 GALVANISED BOLT, NUT, WASHER
70 sqmm COPPER EARTH CONDUCTOR
M12 GALV NUT
CONNECT COPPER EARTH CONDUCTOR TO
14MM x EARTHING POINT ON POLE

22kV VERTICAL LINE
POST INSULATOR
ITEM NUMBER 300467
REFER DRG S01-01-03-10



ALL INSULATORS, USE
M24 STUD ITEM NUMBER 300483,
LARGE FLAT WASHER
AND SPRING WASHER

POLE BRACE TO CROSSARM
CONNECTION, M24 GALVANISED
BOLT 180 LONG,
2 x LARGE FLAT WASHERS,
SPRING WASHER AND NUTS

CROSSARM TO B TOP BRACKET CONNECTION,
M24 BOLT 220 LONG x 2 OFF AND
M24 BOLT 130 LONG x 1 OFF,
2 x LARGE FLAT WASHERS,
SPRING WASHER AND NUTS

26 DIA DRILLED
BRACE ON POLE

SECTION A
SCALE 1:10

BRACES NOT SHOWN FOR CLARITY

NO	DESCRIPTION	DRN	DATE	CKD	APPD
4	TITLEBLOCK & DRAWING NUMBERS FORMATTED	K.T.	DEC'18	C.C.	C.C.
3	ITEM NUMBER AMENDED	P.H.	APR'18	I.B.	B.C.
2	ADDED EARTH LINK AND DETAILS	A.B.	JAN'17	I.B.	B.C.
1	MATERIAL SCHEDULE ITEM NUMBER UPDATED	C.M.	FEB'10	A.T.	S.C.
0	ISSUED FOR CONSTRUCTION	A.S.	7.3.01	M.B.	F.R.R.
AMENDMENTS					



DES	M. BOCK
DRN	A. SCHMID
CKD	M. BOCK
APPD	F. ROBSON
SCALE	1:10/1:20
ISSUED	8.2.01
ALL DIM.	IN mm
DRAFTING STANDARD TO A.S.1100	

POWER STANDARD DRAWING	
ASSEMBLIES, OVERHEAD EARTH WIRE INSULATORS ON HV 'B TOP' FOR UNIVERSAL POLE CONSTRUCTION	
A3	DRAWING NUMBER S01-02-01-24
CAD PRODUCT - DO NOT AMEND MANUALLY	

