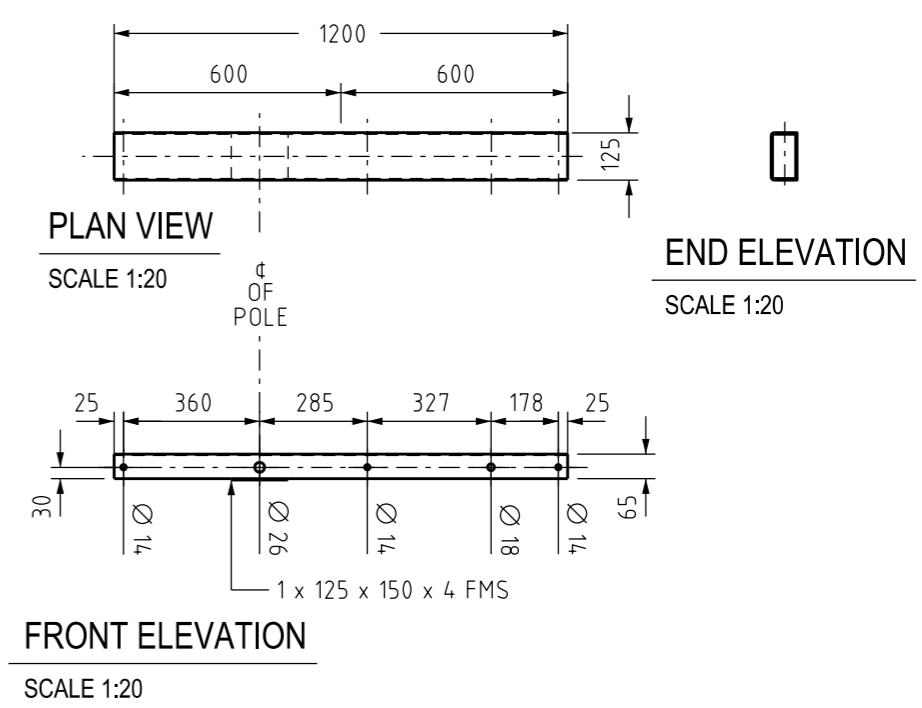
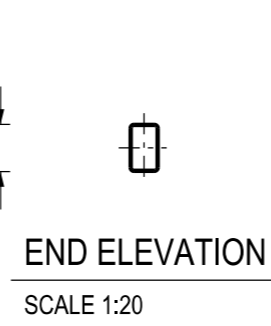
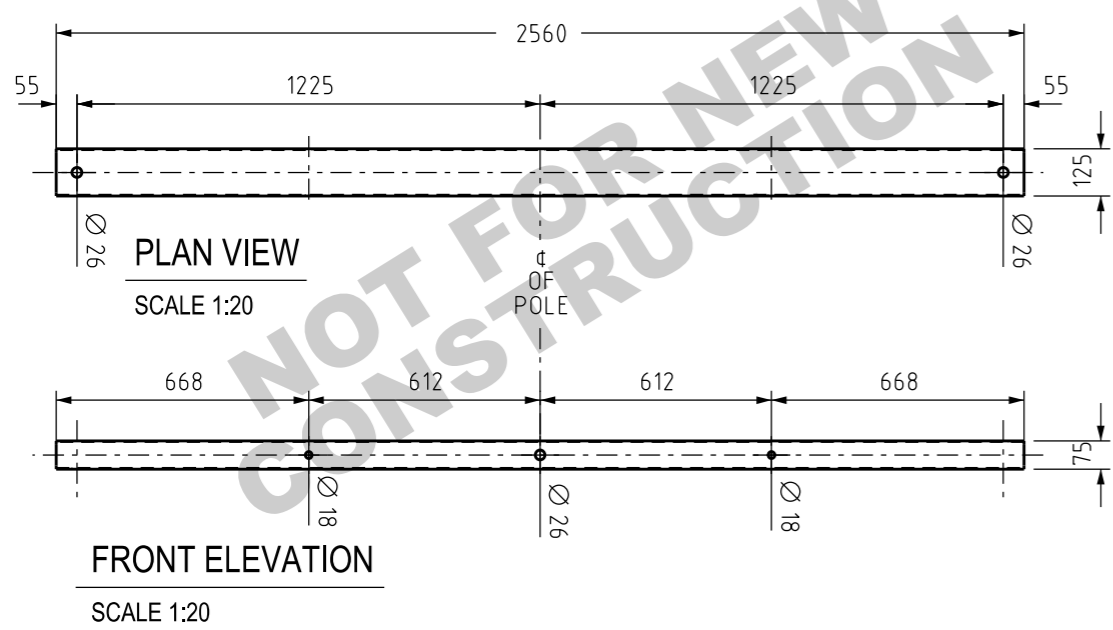


ITEM 1: HV TRUNCATED DEVIATION - METAL

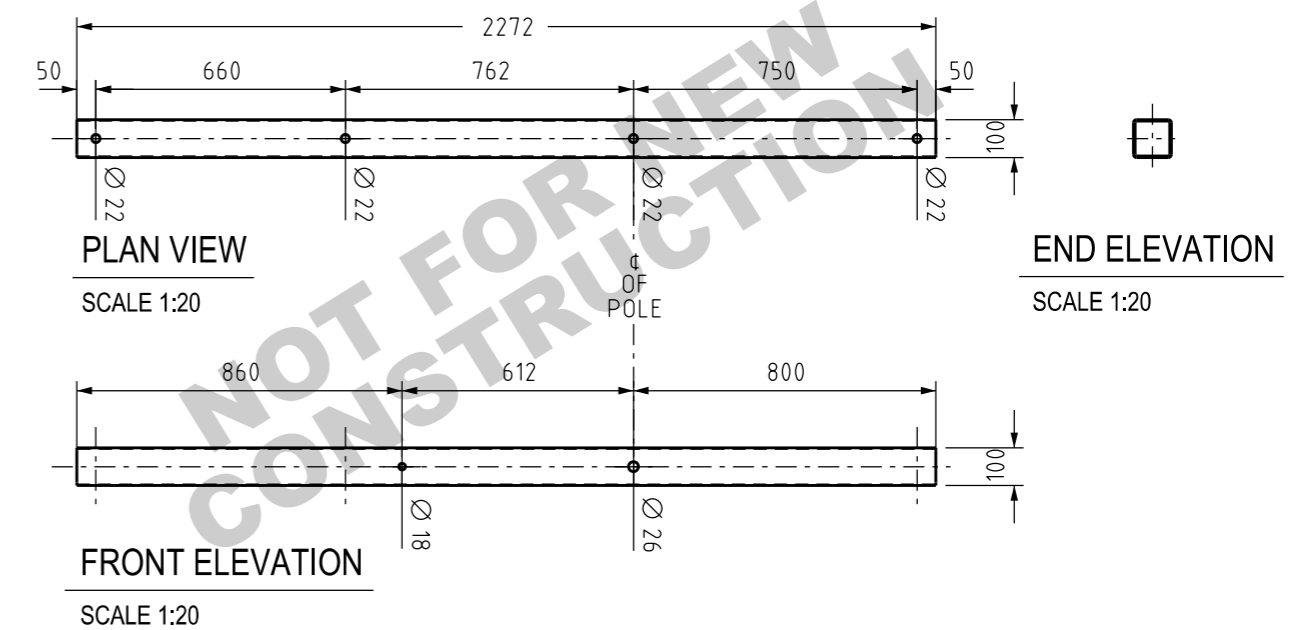
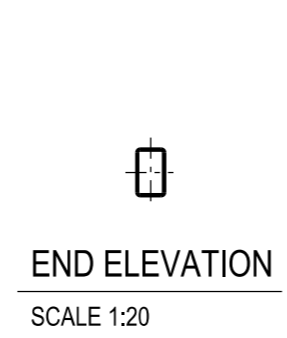


ITEM 2: HV STAND-OFF / SURGE ARRESTER CROSSARM - METAL

NOTE:
ITEM 1, 3 & 4 IS FOR THE PURPOSE OF SAFETY STOCK ONLY. OTHERWISE THEIR EQUIVALENT FIBREGLASS VERSION IS TO BE USED.



ITEM 3: HV LINE / TERMINATION - METAL



ITEM 4: HV EDO - METAL ITEM - 4

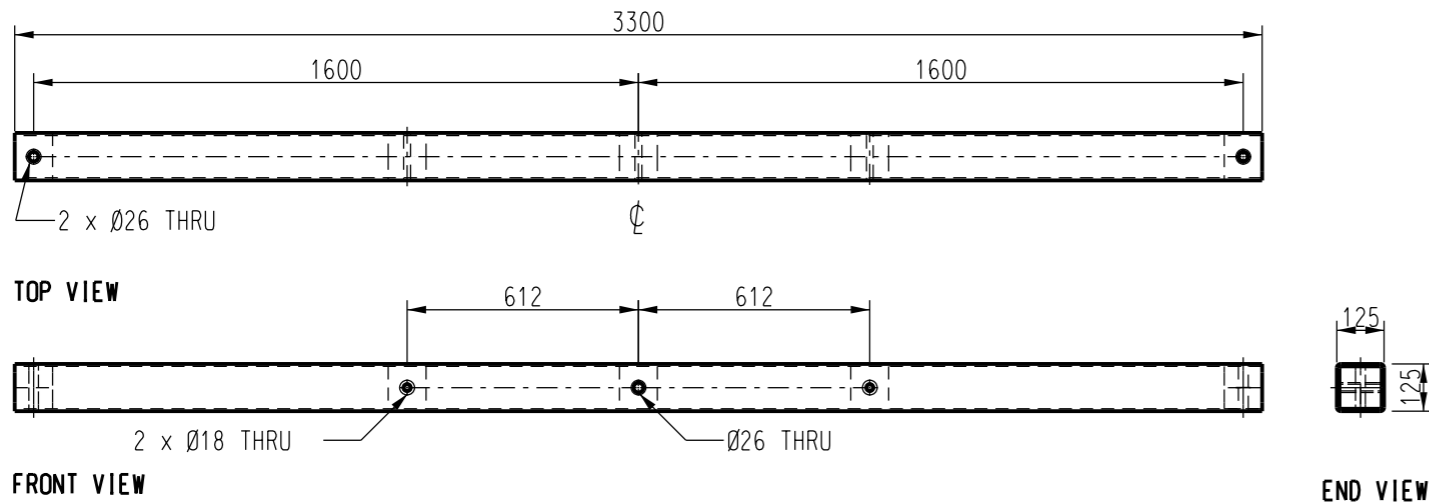
6	UPDATED ITEM 2 NAME. UPDATED ITEM NUMBERING. ITEMS 1, 3 & 4 NOT FOR NEW CONSTRUCTION.	A.N.	OCT'21	A.N.	B.V.
5	CORRECT DRAWING TITLE	H.E.	AUG'20	B.V.	H.E.
4	UPDATED PWC DGN FRAME & AMENDED ITEM 2 FMS DIMENSION	C.C.	MAR'19	B.V.	B.C.
3	UPDATE ITEM DETAILS, ADD NOTE	K.I.	SEP'06	R.S.	S.C.
2	TERM. ARM CHANGED FROM 125x75x6 DURAGAL RHS TO 125x75x5 DURAGAL	A.S.	FEB'02	R.C.	M.B.
1	RHS/HV - STAND OFF ARM ORIENTATION CHANGED	A.S.	FEB'02	-	-
0	HV - STAND OFF INS. ARM CHANGED TO 125 x 65 x 4	A.S.	MAR'01	M.B.	F.R.R.
0	ISSUED FOR CONSTRUCTION				
NO	DESCRIPTION	DRN	DATE	CKD	APPD
AMENDMENTS					



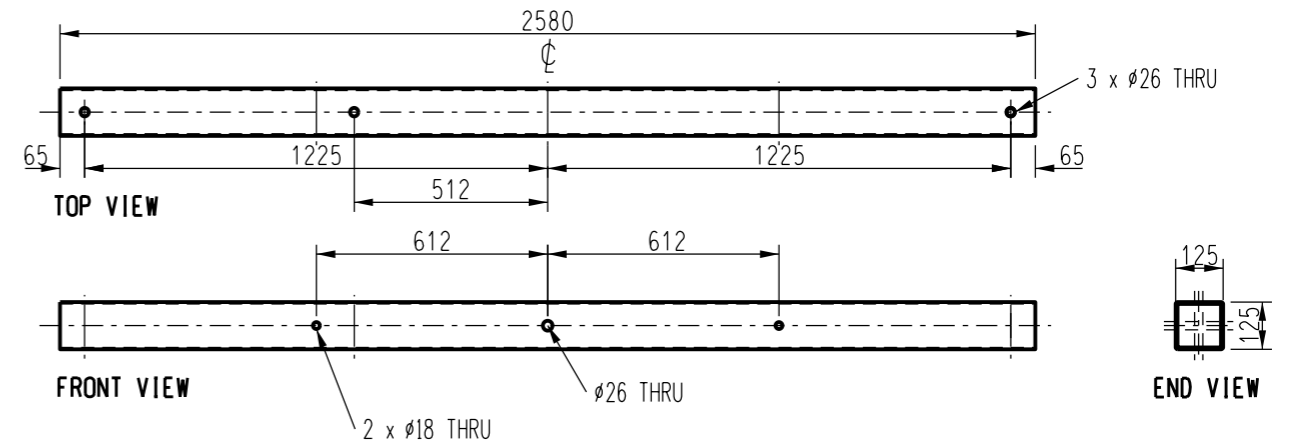
DES	M. BOCK
DRN	R. INNES
CKD	M. BOCK
APPD	F. ROBSON
SCALE	AS SHOWN
ISSUED	JULY 2000
ALL DIM. IN mm	
DRAFTING STANDARD TO A.S.1100	

POWER STANDARD DRAWING	
CROSSARMS, (METAL & FIBREGLASS), HV BOLTED CONNECTIONS FOR UNIVERSAL POLE CONSTRUCTION (SHEET 1 OF 3)	
A3	DRAWING NUMBER S01-01-02-10_1
CAD PRODUCT - DO NOT AMEND MANUALLY	

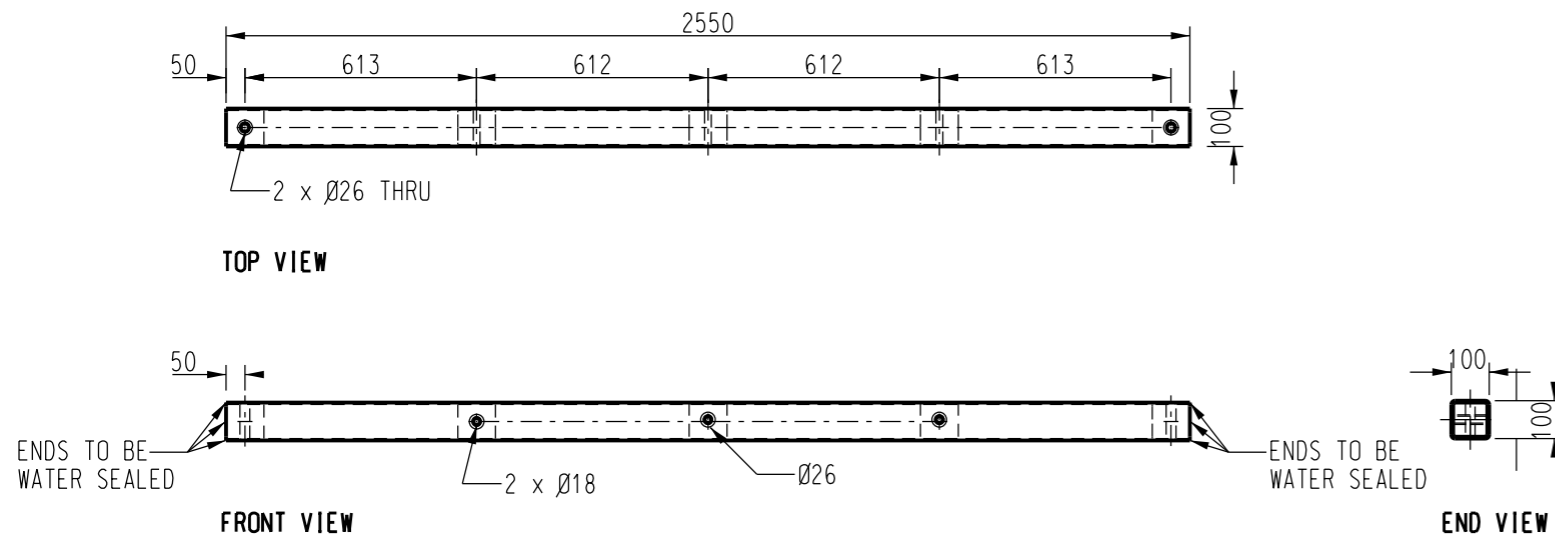




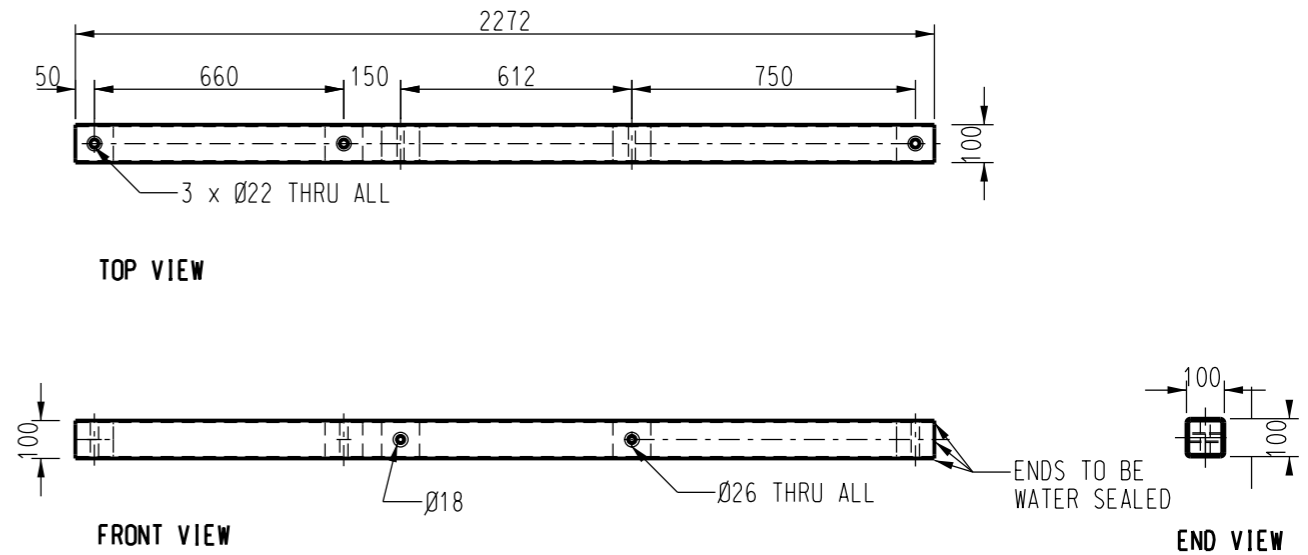
ITEM 5: HV TRUNCATED CROSSARM DEVIATION - FIBREGLASS



ITEM 7: HV TERMINATION CROSSARM - FIBREGLASS



ITEM 6: HV LINE CROSSARM - FIBREGLASS



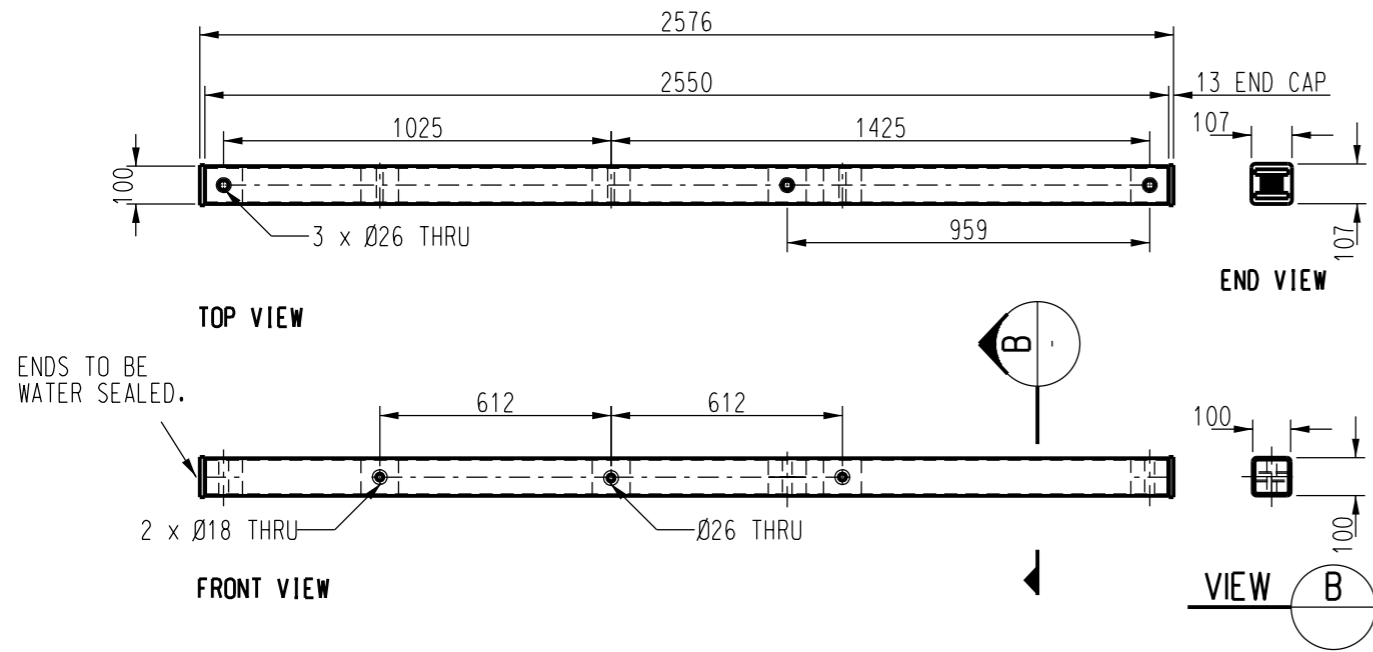
ITEM 8: HV EDO ARM - FIBREGLASS

5	UPDATED ITEM NUMBERING.	A.N.	OCT'21	A.N.	B.V.
4	TITLEBLOCK & DRAWING NUMBER FORMATTED	K.T.	DEC'18	C.C.	C.C.
3	TRUNCATED DEVIATION CROSSARM UPDATED	A.T.	JUN'14	B.C.	B.C.
2	HV TERMINATION CROSSARM UPDATED	A.T.	JUN'12	B.C.	S.C.
1	HV TERMINATION CROSSARM - FIBREGLASS ITEM - 7 CHANGED	J.C.	AUG'11	A.T.	S.C.
0	ISSUED FOR CONSTRUCTION	K.I.	8.09.06	R.S.	S.C.
NO	DESCRIPTION	DRN	DATE	CKD	APPD
AMENDMENTS					



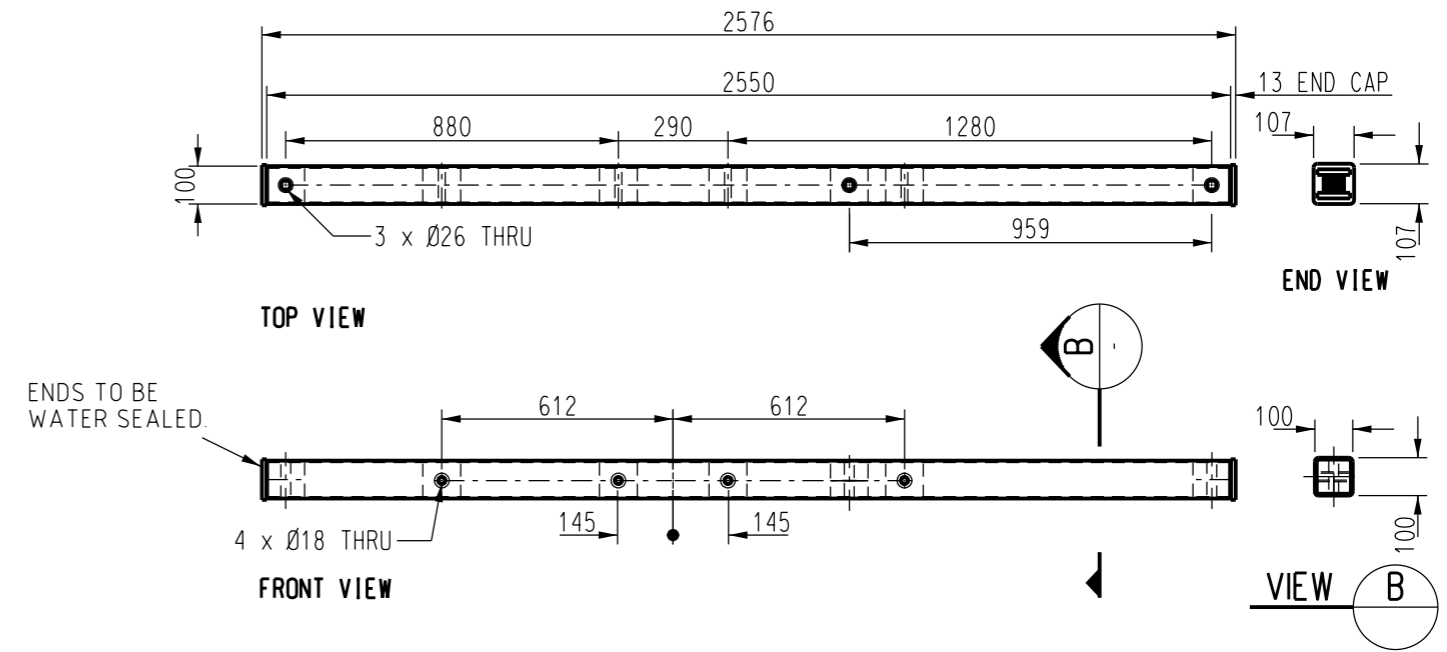
DES	-	POWER STANDARD DRAWING		
DRN	K. IBBOTT	CROSSARMS, (METAL & FIBREGLASS), HV BOLTED CONNECTIONS FOR UNIVERSAL POLE CONSTRUCTION (SHEET 2 OF 3)		
CKD	R.SOOD	A3	DRAWING NUMBER	S01-01-02-10_2
APPD	-			
SCALE	1:20	DRAFTING STANDARD TO A.S.1100		
ISSUED	SEP'06			
ALL DIM.	IN mm	CAD PRODUCT - DO NOT AMEND MANUALLY		





ITEM 9: HV LINE/TERMINATION CROSSARM - FIBREGLASS

BOLTED CONSTRUCTION
FOR USE WITH OVERHEAD EARTH RISERS



ITEM 10: HV LINE/TERMINATION CROSSARM - FIBREGLASS

WELDED CONSTRUCTION
FOR USE WITH OVERHEAD EARTH RISERS
(USE TWO CROSSARMS BOLTED TOGETHER FOR TERMINATION)

NOTES:

1. FIBREGLASS CROSSARMS ARE PROVIDED WITH UV PROTECTIVE LAYER. THESE SHOULD BE HANDLED WITH CARE TO AVOID SCRATCHING ON THE SURFACE.
2. ALL ENDS FOR FIBREGLASS CROSSARM ARE TO BE WATER SEALED.
3. ALL HOLES IN FIBREGLASS CROSSARM ARE TO BE PROVIDED WITH INSERTS.
4. WHEN REMOVING FIBREGLASS CROSSARMS FROM POLE, LEATHER GLOVES, DUST MASKS AND SAFETY GLASSES MUST BE WORN. CROSS ARM MUST BE WRAPPED IN PLASTIC A.S.A.P.
5. ALL FIBREGLASS CROSSARMS SHALL BE LABELED WITH THE DATE OF MANUFACTURE AND CROSSARM TYPE.
6. * INDICATES THAT ITEMS 1, 3 & 4 ARE NOT TO BE ORDERED OR USED FOR NEW CONSTRUCTION.

10	HV-L/T OHR-W	100 x 100 x 5	SQUARE HOLLOW FIBREGLASS	2.00	406880
9	HV-L/T OHR-B	100 x 100 x 5	SQUARE HOLLOW FIBREGLASS	3.10	501656
8	HV-EDO	100 x 100 x 5	SQUARE HOLLOW FIBREGLASS	2.83	298547
7	HV-T	125 x 125 x 6.5	SQUARE HOLLOW FIBREGLASS	8.32	414398
6	HV-L	100 x 100 x 5	SQUARE HOLLOW FIBREGLASS	3.10	298802
5	HV-TD	125 x 125 x 6.5	SQUARE HOLLOW FIBREGLASS	-	502496
4	HV-EDO	100 x 100 x 3	DURAGAL SHS	-	406844*
3	HV-T	125 x 75 x 5	DURAGAL RHS	7.20	406841*
	HV-L	125 x 75 x 4	DURAGAL RHS	6.35	406838*
2	HV SO/SA	125 x 65 x 4	DURAGAL CC	-	298539
1	HV-T	125 x 75 x 4	DURAGAL RHS	5.50	406835*
ITEM REF.	TYPE	CROSS SECTION	MATERIAL	STRENGTH (kN)	ITEM NUMBER

ITEM SCHEDULE

10	UPDATED NUMBERING. REFORMATTED TABLE. ADDED NOTE 6.	A.N.	OCT'21	A.N.	B.V.
9	CORRECT DRAWING TITLE	H.E.	AUG'20	B.V.	H.E.
8	TITLEBLOCK & DRAWING NUMBER FORMATTED	K.T.	DEC'18	C.C.	C.C.
7	ITEMS 5 AND 9 AMENDED	A.T.	JUN'14	B.C.	B.C.
6	TABLE AMENDED	A.T.	MAY'12	B.C.	S.C.
5	ITEM 7 CHANGED TO 125x125 SECTION	A.T.	SEP'11	B.C.	S.C.
4	NOTE 5 ADDED	C.M.	AUG'10	A.T.	S.C.
3	NOTE 4 ADDED	J.C.	JUN'09	A.T.	S.C.
2	END PLATES ADDED	A.S.	MAY'07	R.S.	S.C.
NO	DESCRIPTION	DRN	DATE	CKD	APPD
AMENDMENTS					



DES	-	POWER STANDARD DRAWING		
DRN	K. IBBOTT	CROSSARMS, (METAL & FIBREGLASS), HV BOLTED CONNECTIONS FOR UNIVERSAL POLE CONSTRUCTION (SHEET 3 OF 3)		
CKD	R.SOOD			
APPD	-	A3	DRAWING NUMBER	S01-01-02-10_3
SCALE	1:20			
ISSUED	SEP'06	DRAFTING STANDARD TO A.S.1100		
ALL DIM. IN mm				
CAD PRODUCT - DO NOT AMEND MANUALLY		AMDT		