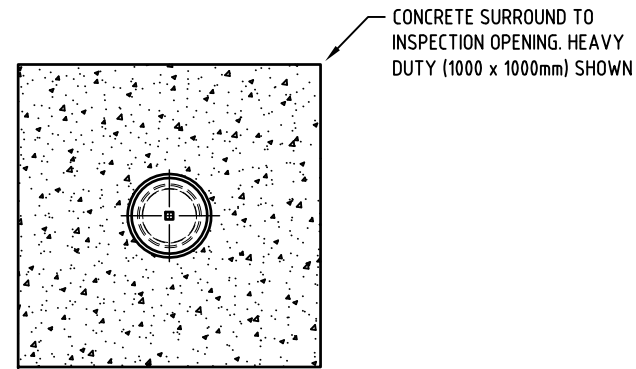
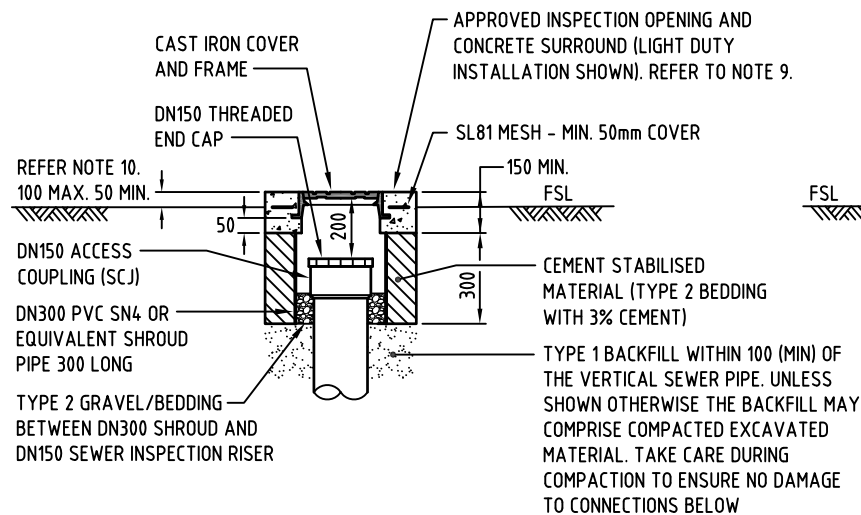


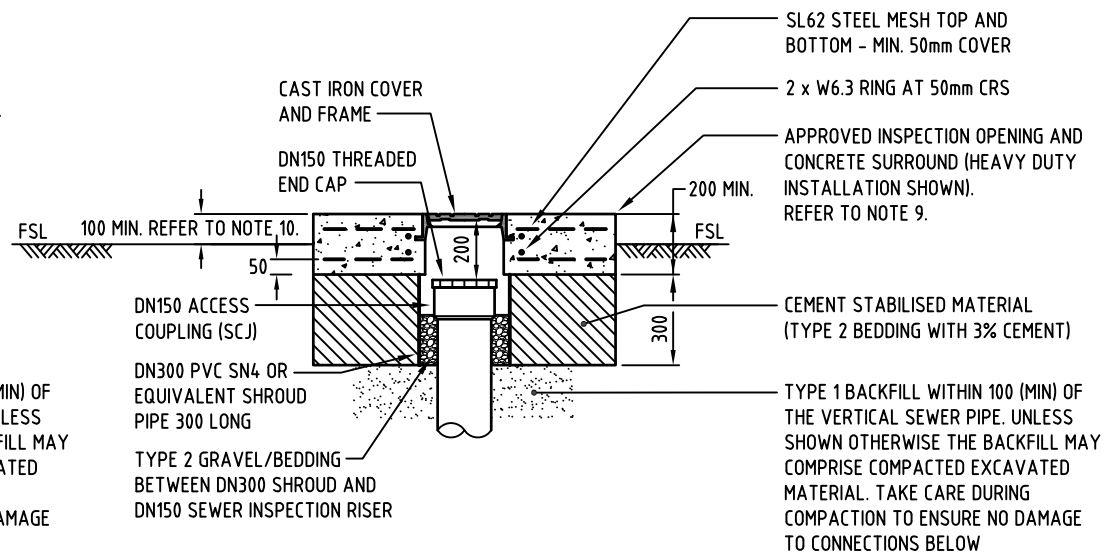
PLAN - LIGHT DUTY COVER



PLAN - HEAVY DUTY COVER



INSPECTION OPENING AND LIGHT DUTY CONCRETE SURROUND



INSPECTION OPENING AND HEAVY DUTY CONCRETE SURROUND

NOTES:

1. THIS DRAWING DEPICTS THE SEWER AND SEWER CONNECTION CONSTRUCTED IN PVC. OTHER APPROVED PIPELINE MATERIALS ARE PERMITTED.
2. THE CLASS OF ALL PIPES SHALL BE AS SPECIFIED ON THE PROJECT DESIGN PLANS / PROJECT SPECIFICATIONS.
3. ELASTOMERIC SEALING RINGS FOR USE WITH PIPELINE MATERIALS COMPLYING WITH AUSTRALIAN STANDARDS SHALL COMPLY WITH AS 1646. ELASTOMERIC SEALING RINGS SHALL BE OF A MATERIAL TYPE APPROVED BY PWC.
4. ALL PVC PIPES AND FITTINGS SHALL BE RUBBER RING JOINTED (RRJ) UNLESS SHOWN AS 'SCJ' (SOLVENT CEMENT JOINTED).
5. PVC PIPE INSTALLATION SHALL BE IN ACCORDANCE WITH AS 2032. PIPE INSTALLATION SHALL COMPLY WITH THE PROJECT SPECIFICATION.
6. CONCRETE SHALL COMPLY WITH AS 1379. THRUST BLOCK CONCRETE IS TO BE GRADE N25 (25MPa, 20mm MAX AGGREGATE) AND WHERE APPLICABLE SHALL BE POURED AGAINST UNDISTURBED GROUND. PROVIDE FELT OR APPROVED PLASTIC BOND BREAKER BETWEEN FITTING AND CONCRETE. ALL OTHER CONCRETE TO BE GRADE N32 (32MPa, 20mm MAX AGGREGATE).
7. FOR PROPERTY CONNECTIONS LARGER THAN DN150 DETAILS SHALL BE SUBMITTED TO PWC FOR APPROVAL.
8. WHERE THE RETICULATION SEWER MAIN IS DN300 OR WHERE THE RETICULATION SEWER MAIN IS IMMEDIATELY DOWNSTREAM OF AN ACCESS CHAMBER RECEIVING THE DISCHARGE FROM A PUMPING STATION OR A STEP (SEPTIC TANK EFFLUENT PUMPING) SYSTEM, A BOUNDARY TRAP SHALL BE INSTALLED BY THE PLUMBER AT THE TIME THAT THE INTERNAL DRAINAGE CONNECTION IS MADE, REFER TO AS/NZS 3500.
9. EXCLUDING TYPE 4 AND TYPE 5 CONNECTIONS, INSTALL HEAVY DUTY INSPECTION OPENINGS IN ROAD OR FOOTPATH RESERVES OR WHERE SPECIFIED ON PROJECT DESIGN PLANS/SPECIFICATIONS.
10. FINISH INSPECTION OPENINGS IN ROAD AND FOOTPATH RESERVES FLUSH WITH SURROUNDING SURFACE. INSPECTION OPENINGS IN OTHER AREAS TO BE FINISHED 50mm ABOVE FINISHED SURFACE LEVEL FOR LIGHT DUTY AND 100mm ABOVE FINISHED SURFACE LEVEL FOR HEAVY DUTY.

6	GENERAL AMENDMENTS 2018.	P.W.	SEPT '18	I.L.	D.C.
5	HOUSE JUNCTION ALTERED.	KI/RI	JUN '07	R.J.	J.P.
4	SHROUD PIPE CHANGED FROM DN225 TO DN300 AND NOTE 10 AMENDED.	RGI	MAY '03	MCH	NWM
3	HEIGHT OF THRUST BLOCK INCREASE TO PIPE STRINGLINE AND GEOTEXTILE FABRIC REMOVED.	RGI	APR '01	NWM	NWM
2	CEMENT STABILISED MATERIAL ADDED.	AG	AUG '00	PS	NWM
1	W2-1-05 AND W2-1-06 COMBINED AND REDESIGNED. PLANS & ELEVATIONS REDRWN. NOTES ADDED.	RGI	JUN '96	NWM	CHY
NO	DESCRIPTION	DRN	DATE	CKD	APPD
AMENDMENTS					



DES	C.PASCOE	SEWERAGE STANDARD DRAWING			
DRN	R.INNES				
CHK	N.McCARTHY	CONNECTIONS			
APPD	H.YAU				
SCALE	N.T.S.	INTERMEDIATE AND TERMINAL INSPECTION OPENINGS			
ISSUED	JUN '96				
ALL DIM. IN mm		A3	DRAWING NUMBER	W2-1-05	6
DRAFTING STANDARD TO A.S.1100		CAD PRODUCT - DO NOT AMEND MANUALLY			
		AMDT			