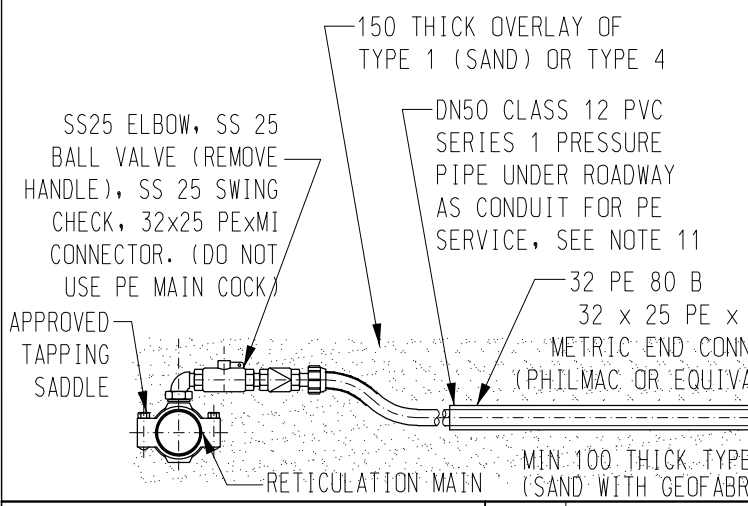
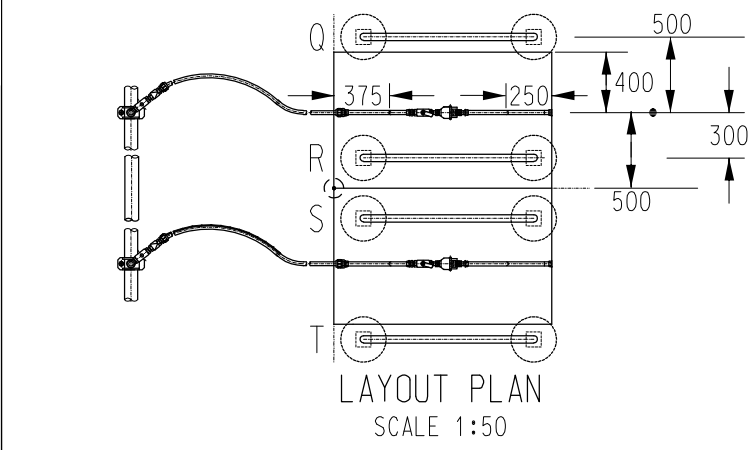


GST GUARDS AT R OR S ARE NOT REQUIRED IF THE PROPERTY IS FENCED ON THE ROAD RESERVE AND PROPERTY BOUNDARIES
 GST GUARDS AT R OR S ARE NOT REQUIRED IF GST GUARDS Q AND T ARE INSTALLED



PLAN SCALE 1:15
 (SHOWING EXTRA SLACK IN PE - WHEN INSTALLING UNDER ROADWAY ENSURE PE SERVICE HAS SLACK AT EACH END OF THE CONDUIT)

SPECIFIED NOM SIZE DN	S' STEEL DN	PE DN
20	20	25
25	25	32

- NOTES**
- ALL DIMENSIONS IN MILLIMETRES UNLESS NOTED OTHERWISE.
 - PE80B OR PE100 PE PIPE IN BLACK WITH BLUE STRIPES SHALL BE CLEARLY MARKED TO AS4130 . PN12 OR GREATER PRESSURE RATING.
 - NO WORK ON WATER CONNECTIONS MAY COMMENCE UNTIL THE CONTRACTOR HAS POWER AND WATER APPROVED COPIES OF THE SITE SERVICES PLAN AND "WATER AND SEWER CONNECTION APPLICATION FORM - REMOTE OPERATIONS" PAID ALL FEES.
 - ONLY CONTRACTORS AUTHORISED BY POWER AND WATER ARE PERMITTED TO TAP EXISTING, IN-SERVICE (LIVE) MAINS OR MAINS THAT HAVE BEEN HYDROSTATICALLY TESTED. THE CONTRACTOR SHALL SUPPLY ALL MATERIAL AND UNDERTAKE INSTALLATION INCLUDING EXCAVATIONS, BACKFILLING AND REINSTATEMENT. THE WATER METER WILL BE SUPPLIED BY REMOTE OPERATIONS
 - THE PROPERTY OWNER IS REQUIRED TO DETERMINE THE RISK OF CONTAMINATION OF THE POTABLE WATER SUPPLY DUE TO CROSS CONNECTIONS AND WHERE MEDIUM HAZARD AND HIGH HAZARD RISKS ARE IDENTIFIED (REFER AS/NZS3500), PROVIDE APPROPRIATE BACKFLOW DEVICES.
 - FOR DETAILS OF APPROVED PRODUCTS USED ON THIS DRAWING, REFER TO THE WATER AND SEWERAGE INFRASTRUCTURE PRODUCTS MANUAL.
 - ON COMPLETION OF WATER SERVICE, PROVIDE STAINLESS STEEL OR PE PLUG FITTED TO OUTLET.
 - WHERE SEPARATE BACKFLOW DEVICES ARE FITTED BY THE LAND OWNER IN ACCORDANCE WITH NOTE 5 ABOVE, WATER METERS DO NOT REQUIRE INTEGRAL DUAL CHECK VALVES.
 - PE PIPES AND FITTINGS SHALL NOT BE USED IN AREAS CONTAMINATED OR EXPECTED TO BE CONTAMINATED BY PETROLEUM BASED PRODUCTS, SUCH AS SOLVENT FOR TERMITE/PEST CONTROL TREATMENT OR PAINT.
 - THE EDGE OF CONCRETE METER PAD IS TO ALIGN WITH PROPERTY ROAD AND SIDE BOUNDARY.
 - PE SERVICE PIPE IS TO BE INSTALLED AS A CONTINUOUS LENGTH OF PIPE WITH NO JOINS.
 - MIN COVER TO SERVICE: 450 WITHIN PROPERTY BOUNDARY, 750 ELSEWHERE.
 - ACID PICKLE / PASSIVATE COMPLETE STAINLESS STEEL ASSEMBLY AFTER WELDING.
 - MINIMUM 100mm EMBEDMENT AND 150mm OVERLAY, TYPE 1 OR TYPE 4 MATERIAL FOR FULL LENGTH OF SERVICE CONNECTION.

DIGITAL HORIZONS
 GPO Box 3
 DARWIN, NT 0801
 PH: 08 8981 8788
 FX: 08 8942 1400
 info@digitalhorizons.com.au
 DH11-3361

NO	DESCRIPTION	DRN	DATE	CKD	APPD
1	GENERAL AMENDMENTS	TJK	15/03/17	N.M.	PWC
0	NEW-ISSUED FOR PWC	K.I.	24/1/12	R.H.	PWC
AMENDMENTS					

PowerWater
 NORTHERN TERRITORY

DES		R.HUTCHINS		WATER STANDARD DRAWING	
DRN	K.IBBOTT	REMOTE OPERATIONS SERVICES DN20 OR DN25 - ABOVE GROUND METER POLYETHYLENE - STAINLESS STEEL WATER SERVICE - CORROSIVE CONDITIONS			
CKD	R.HUTCHINS				
APPD	PWC				
SCALE	1:15				
ISSUED	JAN'12				
ALL DIM.	IN mm	A3	DRAWING NUMBER	ROW1-1-325	
DRAFTING STANDARD TO A.S.1100		CAD PRODUCT - DO NOT AMEND MANUALLY			