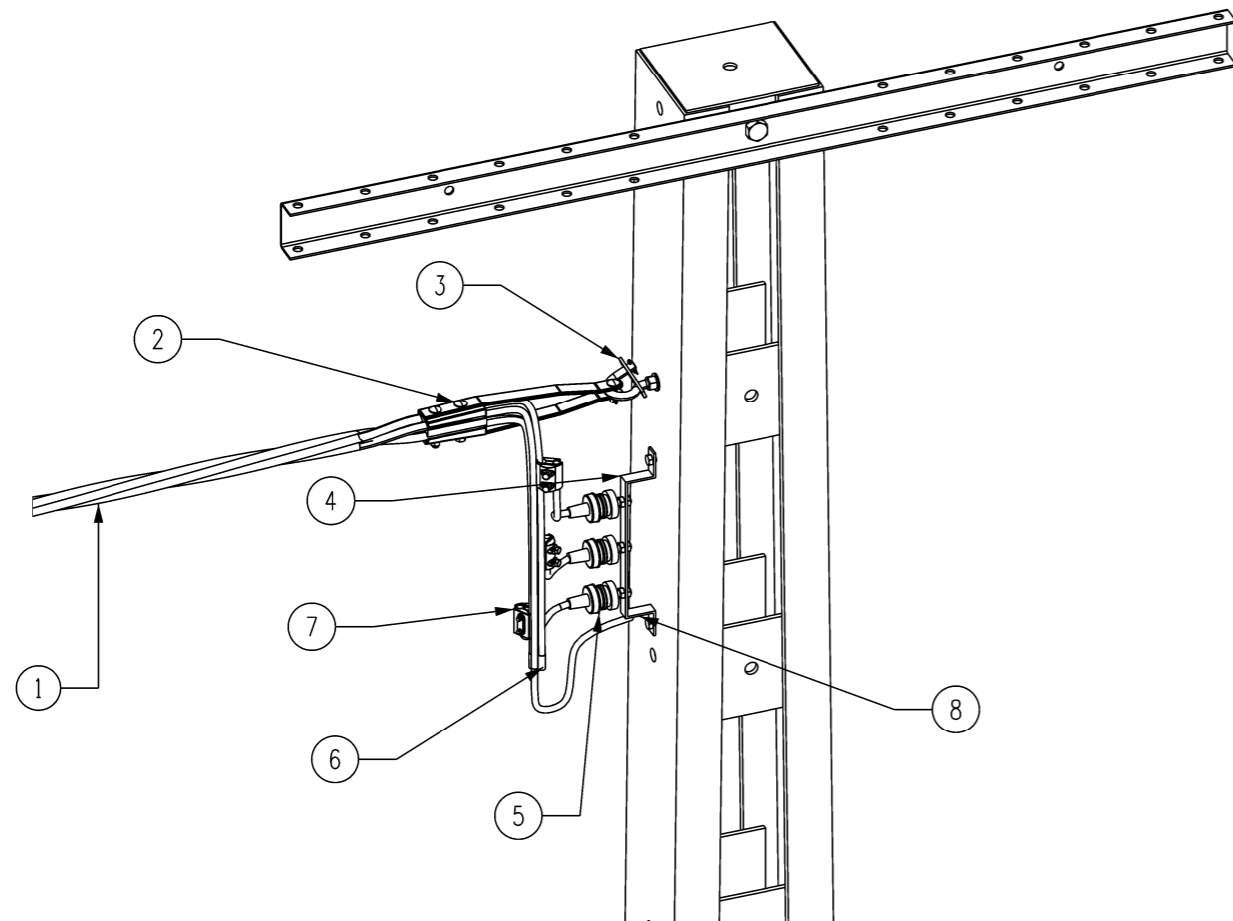


NOTES

1. LV-ABC ACTIVE TAILS SHALL BE COLOR CODED WITH COLORED HEATSHRINK.
2. SURGE DIVERter MOUNTING BRACKET SHALL BE POWER FASTENED TO THE POLE AND EARTHED AS SHOWN IN S04-2-3-03.
3. REFER TO S04-2-2-25 AND S04-2-2-26 IF SERVICE CONNECTIONS ARE REQUIRED.
4. OPEN ENDS OF ALL LV-ABC SHALL BE SEALED WITH THICK WALLED MASTIC LINED HEATSHRINK CAPS.



ITEM	QTY	DESCRIPTION	STOCK CODE	DWG No.
8	1	LV ABC INSULATED CRIMP LUG	-	S04-1-2-18
7	3	INSULATION PIERCING CONNECTOR 35/150	415586	S04-1-2-15
6	4	THICK WALL MASTIC LINED HEATSHRINK END CAPS FOR 95 AND 150SQMM LV ABC	-	-
5	3	LV SURGE ARRESTOR	10041	S01-1-4-20
4	1	LV SURGE ARRESTOR MOUNTING BRACKET	214932	S01-1-4-27
3	1	M24 EYE NUT AND BOLT	-	-
2	1	LV ABC STRAIN CLAMP	415585	S04-1-2-11
1	AR	CABLE LV ABC	-	S04-1-1-01

MATERIAL SCHEDULE

NO	DESCRIPTION	DRN	DATE	CKD	APPD
0	ISSUED FOR CONSTRUCTION	C.C	SEP'12	A.T.	S.C.
AMENDMENTS					



DES	A.TAYLOR	POWER STANDARD DRAWING		
DRN	C.COPPINS	CABLE TERMINATION LV-ABC TERMINATION & SURGE DIVERTERS BOLTED POLES		
CKD	A.TAYLOR			
APPD	B.CHEUNG			
SCALE	N.T.S.			
ISSUED	JUL'12	A3	DRAWING NUMBER	S04-2-4-05
ALL DIM. IN	mm			
DRAFTING STANDARD TO A.S.1100		CAD PRODUCT - DO NOT AMEND MANUALLY		 AMDT