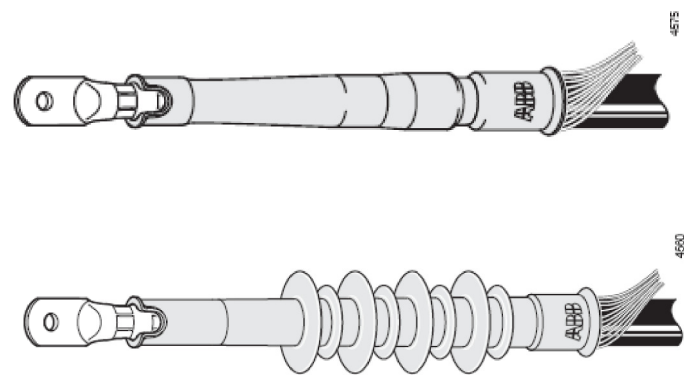
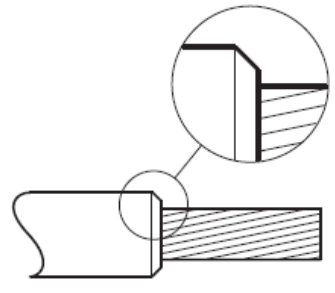


1



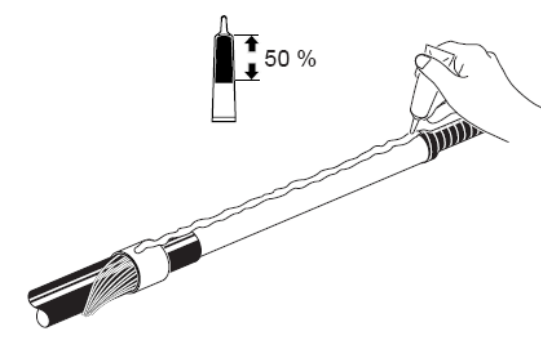
TRAIN CABLE TO TERMINATING POINT AND CUT TO REQUIRED LENGTH; REMEMBER TO HAVE THE EARTH SCREEN LONG ENOUGH TO TERMINATE ON THE EARTHING POINT.

4



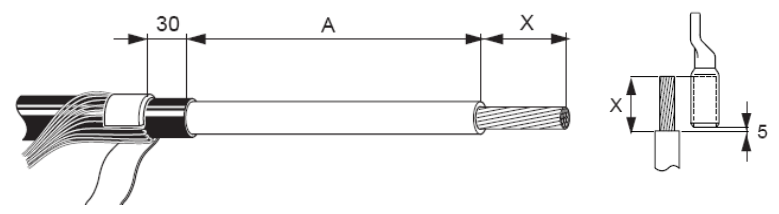
FOLD EARTH SCREEN WIRES BACK ONTO CABLE, WIND MASTIC OVER THE SCREEN WIRES AND THE EDGE OF THE CABLES OUTER SHEATH.

6



WIND ELECTRICAL TAPE FROM 10MM OF THE XLPE INSULATION TO THE TOP OF THE CONDUCTOR. USE ENOUGH TAPE TO FORM A CONE AT THE STEP BETWEEN THE CONDUCTOR AND THE XLPE INSULATION.

2



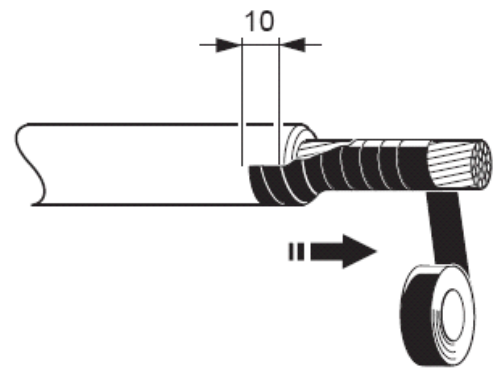
STRIP THE CABLE TO THE DIMENSIONS BELLOW

3

| TERMINATION LOCATION | CABLE SIZE (MM <sup>2</sup> ) | DIMENSION A |
|----------------------|-------------------------------|-------------|
| OUTDOOR              | LESS THAN 70                  | 230         |
| OUTDOOR              | 70 OR LARGER                  | 210         |
| INDOOR               | LESS THAN 70                  | 135         |
| INDOOR               | 70 OR LARGER                  | 115         |

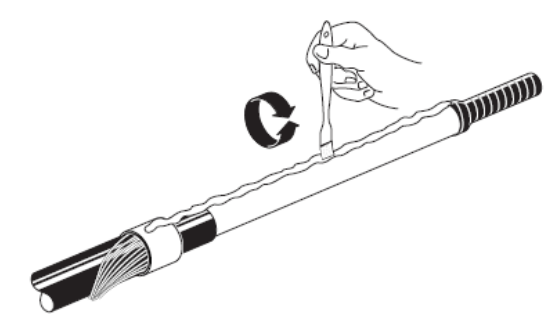
DIMENSION X = CABLE LUG BARREL LENGTH PLUS 5MM

5



CHAMFER THE EDGE OF THE CABLE INSULATION TO 45°

7



SPREAD THE GREASE TO GET AN EVEN COVERAGE WITH THE BRUSH PROVIDED.

| A          | ISSUED FOR COMMENT | J.C. | 03/09 | A.T. | S.C. |
|------------|--------------------|------|-------|------|------|
| NO         | DESCRIPTION        | DRN  | DATE  | CKD  | APPD |
| AMENDMENTS |                    |      |       |      |      |

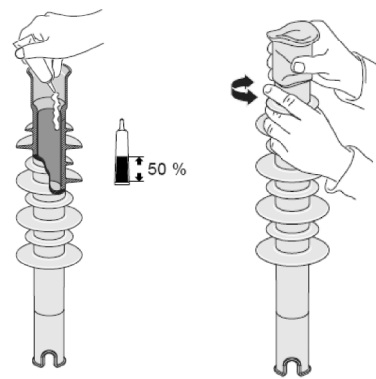


|                               |           |   |                |            |
|-------------------------------|-----------|---|----------------|------------|
| DES                           | A.TAYLOR  | POWER STANDARD DRAWING  |                |            |
| DRN                           | J.COPPINS | <b>COMBINED IN AND OUTDOOR<br/>ABB SLIP ON TERMINATION<br/>1 OF 2</b> |                |            |
| CKD                           | A.TAYLOR  |   |                |            |
| APPD                          | ...       |   |                |            |
| SCALE                         | N.T.S.    |   |                |            |
| ISSUED                        | 9/3/09    | A3  | DRAWING NUMBER | S02-2-2-50 |
| ALL DIM.                      | IN mm     | CAD PRODUCT - DO NOT AMEND MANUALLY                                   |                |            |
| DRAFTING STANDARD TO A.S.1100 |           |   |                |            |



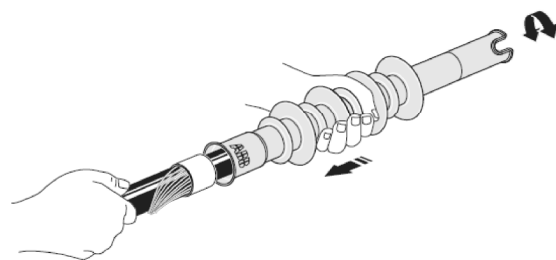
AMDT

8



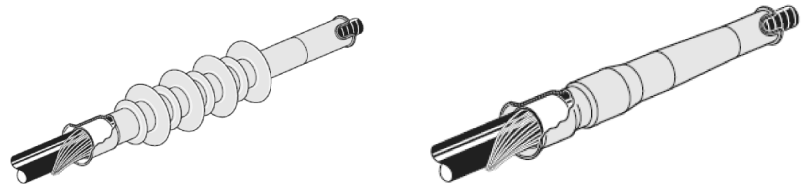
APPLY THE REMAINING GREASE TO THE BLACK LAYER INSIDE THE BOTTOM OF THE TERMINATION. SQUEEZE AND TWIST THE TERMINATION TO SPREAD THE GREASE.

9



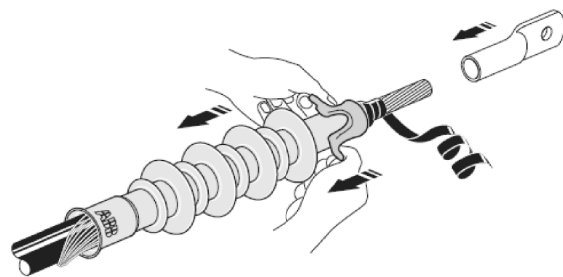
PULL AND TWIST THE TERMINATION ONTO THE CABLE. LET THE TERMINATION RECOVER A FEW TIMES.

10



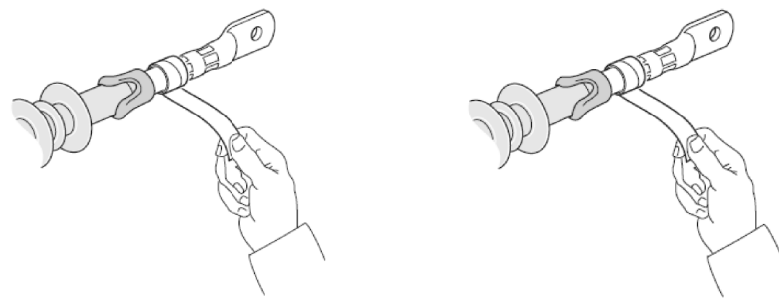
OUTDOOR (UPPER) AND INDOOR (LOWER) TERMINATION IN CORRECT POSITION. NOTE. THE LENGTH OF THE TERMINATION AFTER INSTALLATION IS DEPENDANT ON THE DIAMETER OF THE CABLE; THE THICKER THE XLPE INSULATION THE SHORTER THE TERMINATION WILL BE.

11



FOLD BACK THE TOP SEAL OF THE TERMINATION UNTIL ITS LEVEL WITH THE XLPE INSULATION. REMOVE THE ELECTRICAL TAPE AND INSTALL THE CABLE LUG. IF THE TOP OF THE TERMINATION DOES NOT REACH THE CABLE LUG THEN FOLLOWING ADDITIONAL INSTRUCTIONS APPLY: FOLD BACK THE TOP OF THE TERMINATION. FILL OUT THE STEP BETWEEN THE END OF THE CABLE INSULATION AND CABLE LUG WITH SG TAPE WIND TWO LAYERS OF SG TAPE WITH HALF OVERLAP. START CLOSE TO THE FOLDED TERMINATION AND WIND APPROXIMATELY 20MM ON TO THE CABLE LUG. REPEAT THIS STEP WITH THE MASTIC.

12



APPLY MASTIC BETWEEN THE INSULATION AND THE CABLE LUG ENSURING THAT THE MASTIC FILLS IN ANY GAP BETWEEN THE XLPE INSULATION AND THE CABLE LUG, AND PRESENTS AN EVEN PROFILE FOR THE TOP OF THE TERMINATION TO SEAL ONTO. FOLD BACK THE TOP SEAL OF THE TERMINATION.

TERMINATION IS COMPLETE.

| A          | ISSUED FOR COMMENT | J.C. | 03/09 | A.T. | S.C. |
|------------|--------------------|------|-------|------|------|
| NO         | DESCRIPTION        | DRN  | DATE  | CKD  | APPD |
| AMENDMENTS |                    |      |       |      |      |



|                               |            |   |                |            |
|-------------------------------|------------|---|----------------|------------|
| DES                           | A. TAYLOR  | POWER STANDARD DRAWING  |                |            |
| DRN                           | J. COPPINS | <b>COMBINED IN AND OUTDOOR<br/>ABB SLIP ON TERMINATION<br/>2 OF 2</b> |                |            |
| CKD                           | A. TAYLOR  |   |                |            |
| APPD                          | ...        |   |                |            |
| SCALE                         | N.T.S.     |   |                |            |
| ISSUED                        | 9/3/09     | <b>A3</b>   | DRAWING NUMBER | S02-2-2-50 |
| ALL DIM.                      | IN mm      |   |                |            |
| DRAFTING STANDARD TO A.S.1100 |            | CAD PRODUCT - DO NOT AMEND MANUALLY                                   |                |            |