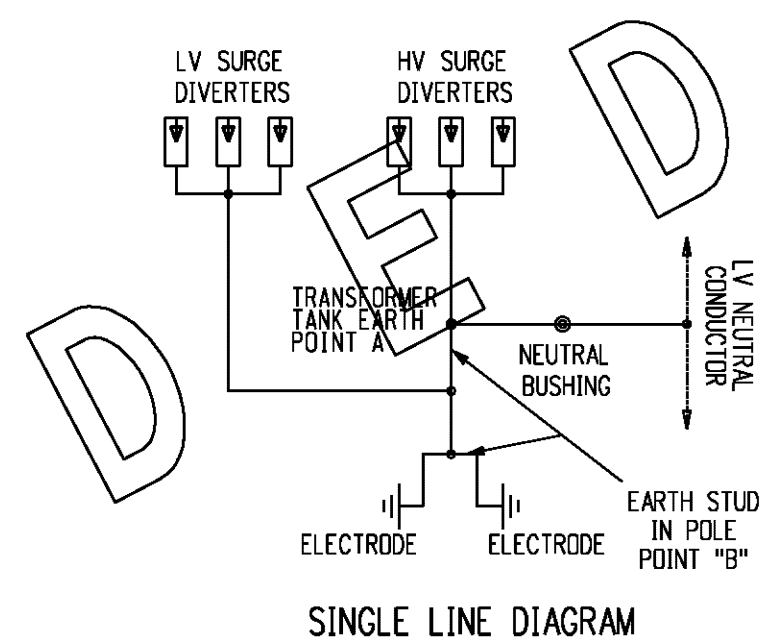
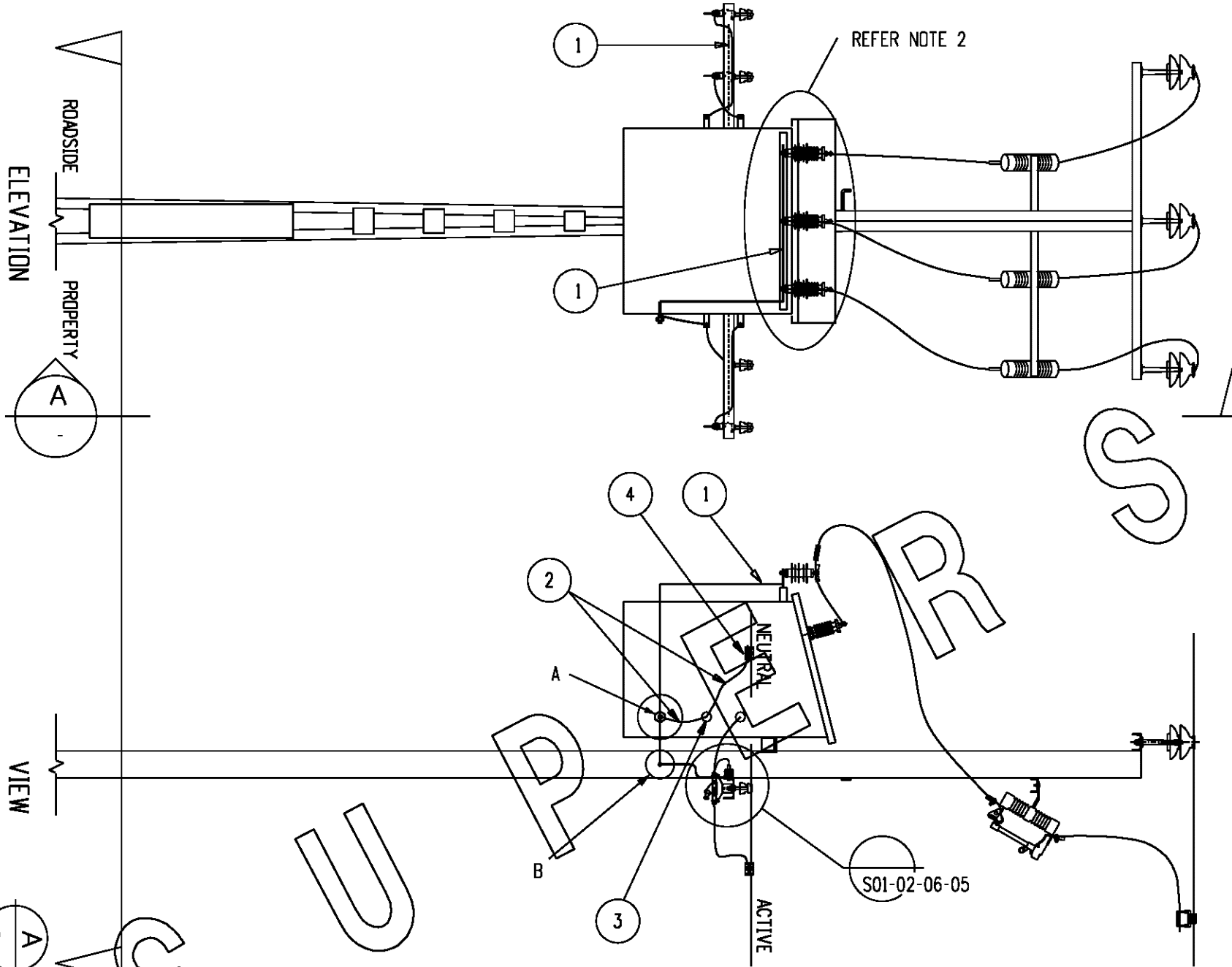


Scale 1:40
ELEVATION

Scale 1:40
VIEW



NOTES

1. REFER TO DRAWING S01-02-03-10 FOR DETAILS OF EARTHING CONDUCTOR CONNECTIONS.
2. REFER TO DWG S01-02-01-13 FOR AMENDED INSTALLATION ARRANGEMENT WHEN DAMAGED A.B.B./BOWTHORPE PORCELAIN TYPE SURGE DIVERTERS (SHOWN IN DWG S01-01-04-32) ARE REPLACED WITH RAYCHEM/BOWTHORPE POLYMER HOUSED SURGE DIVERTERS SHOWN IN DWG S01-01-04-19 & S01-01-04-33 RESPECTIVELY.
3. SURGE ARRESTORS ATTACHED TO HOT DIPPED GALVANIZED TRANSFORMER TANKS SHALL BE EARTHED VIA THE TRANSFORMER THNK PAINTED TANKS RE GUIRE ITEM 1 BETWEEN SUREGE ARRESTORS AND ITEMS 2 CONNECTING THE SURGE ARRESTORS THE TRANSFORMER EARTH POINT

4	1	CLAMP - BI-METAL PARALLEL GROOVE	115774	S01-01-04-25
3	3	LUG - COPPER COMPRESSION - 70 sq.mm	5512	-
2	2 m	CONDUCTOR - COPPER - 70 sq.mm	9803	S01-01-05-05
1	AR	BUSBAR - COPPER - 25 mm X 3 mm	9837	S01-01-05-05
TAG No	QTY.	DESCRIPTION	STOCK CODE	DRG REF

MATERIAL SCHEDULE

6	REDRAWN IN CAD. SUPERSEDED	C.C.	DEC'12	B.C.	B.C.
5	TAG 4 AMENDED. CROSSARM MOVED. NOTE 3 ADDED. MATERIAL LIST EDITED	J.A.L.	APR'95	S.C.M.	P.J.D.
4	TAG 1 AMENDED. EDO CROSSARM MOVED TO OTHERSIDE OF POLE	G.R.	JUL'94	pmc	A.G.
3	TAG 2 AMENDED	G.R.	FEB'94	pmc	C.H.Y.
2	EARTHING ARRANGEMENT MODIFIED TO SUIT METAL OXIDE SURGE DIVERTER	gmK	OCT'92	N.S.	B.T.K.
1	TAG No.3 STOCK CODE AMENDED. POLE ORIENTATION AMENDED	gmK	FEB'92	N.S.	-
NO	DESCRIPTION	DRN	DATE	CKD	APPD
AMENDMENTS					



DES	A.T.	POWER STANDARD DRAWING		
DRN	C.C.	EARTHING SUBSTATION SINGLE POLE		
CKD	B.C.			
APPD	S.C.			
SCALE	1:1			
ISSUED	FEB'11	A3	DRAWING NUMBER	S01-02-03-06
ALL DIM. IN mm				
DRAFTING STANDARD TO A.S.1100		CAD PRODUCT - DO NOT AMEND MANUALLY		

