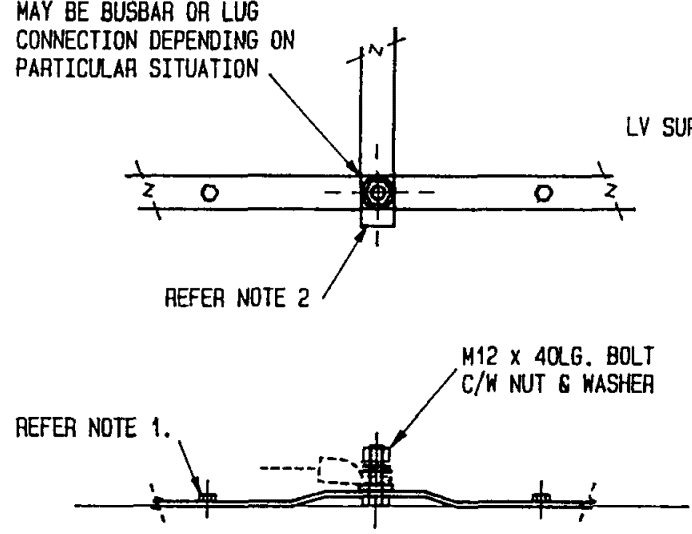
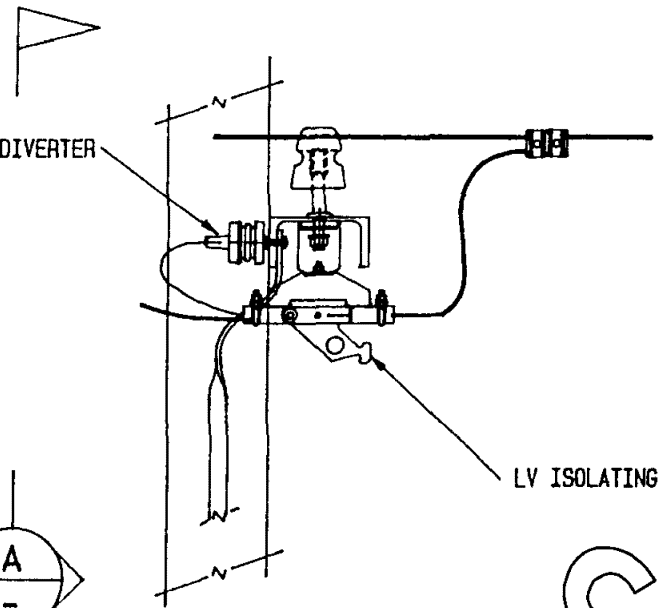


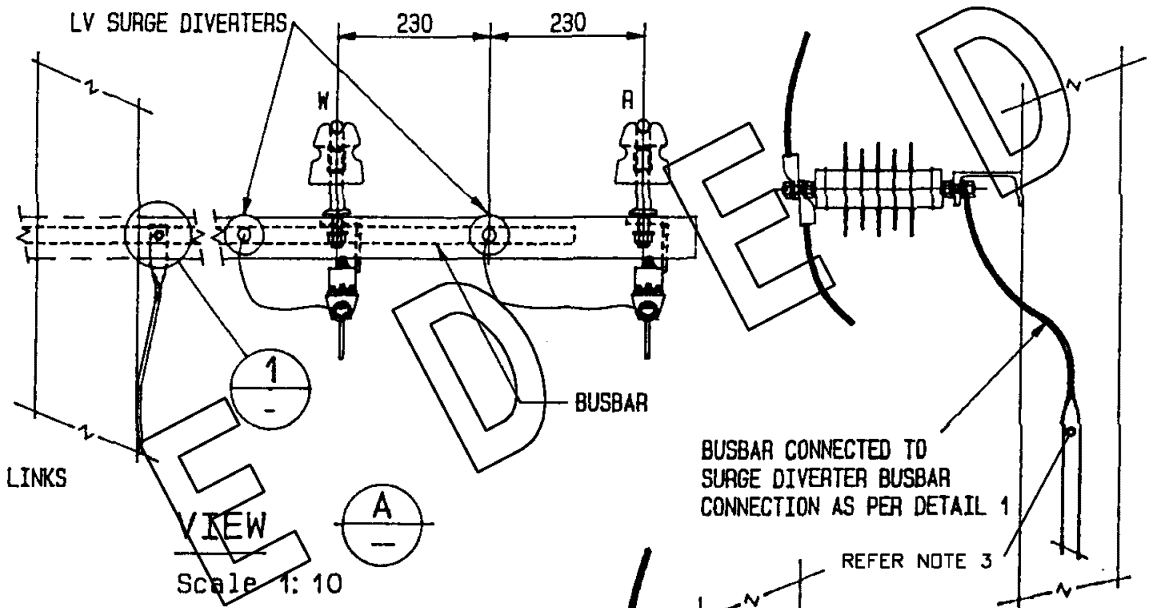
MAY BE BUSBAR OR LUG CONNECTION DEPENDING ON PARTICULAR SITUATION



DETAIL 1
Scale 1:5



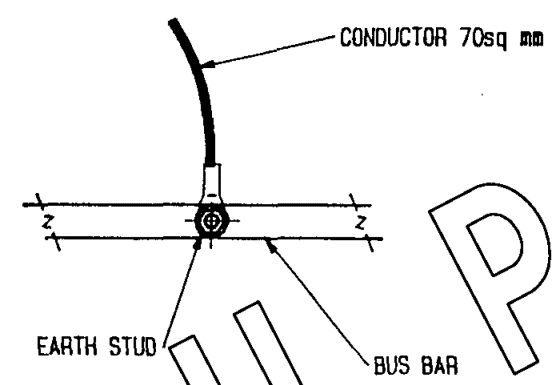
DETAIL 2
Scale 1:10



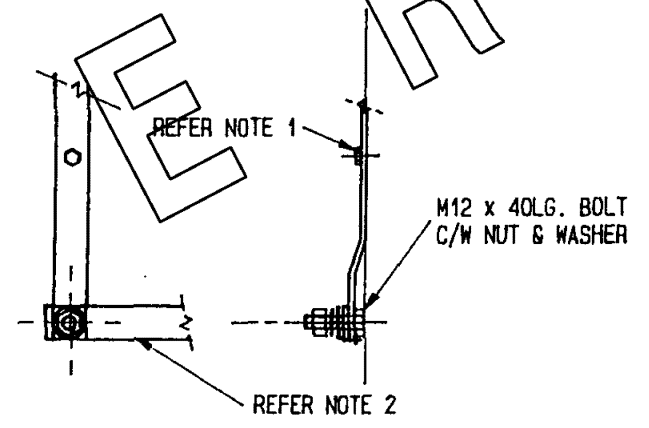
VIEW 1
Scale 1:10

BUSBAR CONNECTED TO SURGE DIVERTER BUSBAR CONNECTION AS PER DETAIL 1

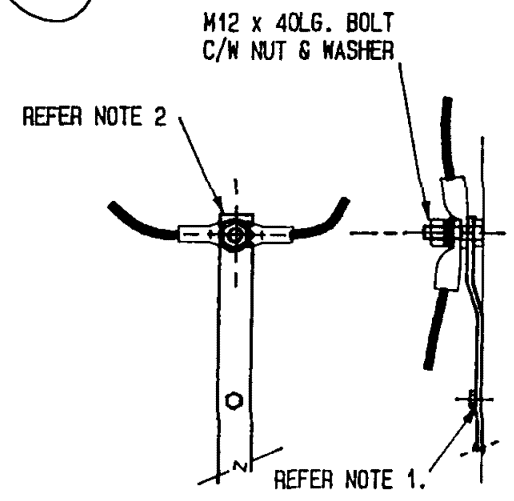
DETAIL 6
Scale 1:10



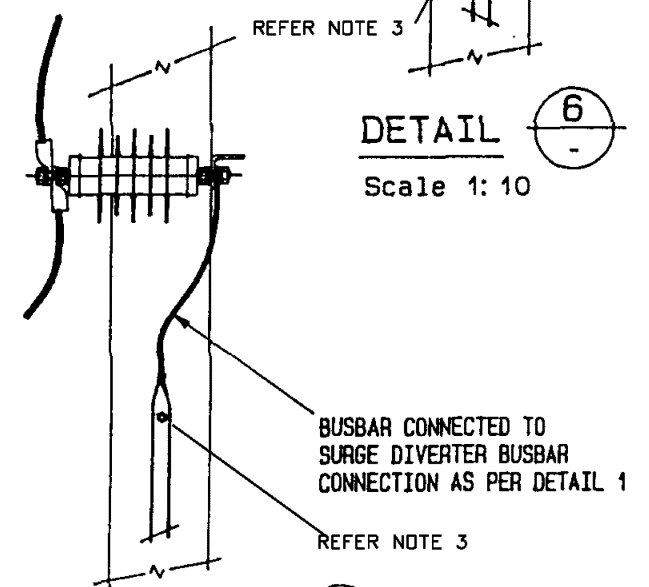
DETAIL 3
Scale 1:5



DETAIL 4
Scale 1:5



DETAIL 5
Scale 1:5



DETAIL 7
Scale 1:10

NOTES

- BUSBAR TO BE FIXED TO POLE WITH POWER FASTENERS (e.g. RAMSET) AT MAXIMUM 1000 CENTRES, U.N.O.
- BUSBAR CONNECTIONS TO BE TINNED.
- ALL UNDER GROUND EARTH SCREENS ARE TO BE ATTACHED TO THE POLE, AT THE SAME POSITION AS THE SURGE DIVERTER BUSBAR, WITH THEIR OWN STUD ON THE EARTH BUSBAR.
- ALL BOLTED CONSTRUCTION POLES SHALL HAVE ALL EARTH CONNECTIONS MADE TO THE NEAREST M12 GALVANIZED BOLT WELDED INTO THE POLE

NO	DESCRIPTION	DRN	DATE	CKD	APPD
05	SUPERSEDED	A.T.	DEC'12	B.C.	B.C.
04	NOTE 3 ADDED	J.C.	NOV'07	B.C.	S.C.
03	DETAIL 6 MODIFIED TO SUIT METAL OXIDE SURGE DIVERTER	GMCK	OCT'92	N.S.	B.T.K.
02	WELD SYMBOLS REMOVED. BOLT SIZE ADDED	GMCK	FEB'92	N.S.	-
01	VIEW "A" DIMENSIONS ADDED	GMCK	MAY'91	N.S.	-
AMENDMENTS					



DES	T.M.L
DRN	GMCK/PMC
CKD	N.S.
APPD	B.T.KENT
SCALE	N.T.S.
ISSUED	FEB'91
ALL DIM. IN	mm
DRAFTING STANDARD TO AS.1100	

EARTHING CONNECTION DETAILS

A3 DRAWING NUMBER S01-02-03-10

CAD PRODUCT - DO NOT AMEND MANUALLY

