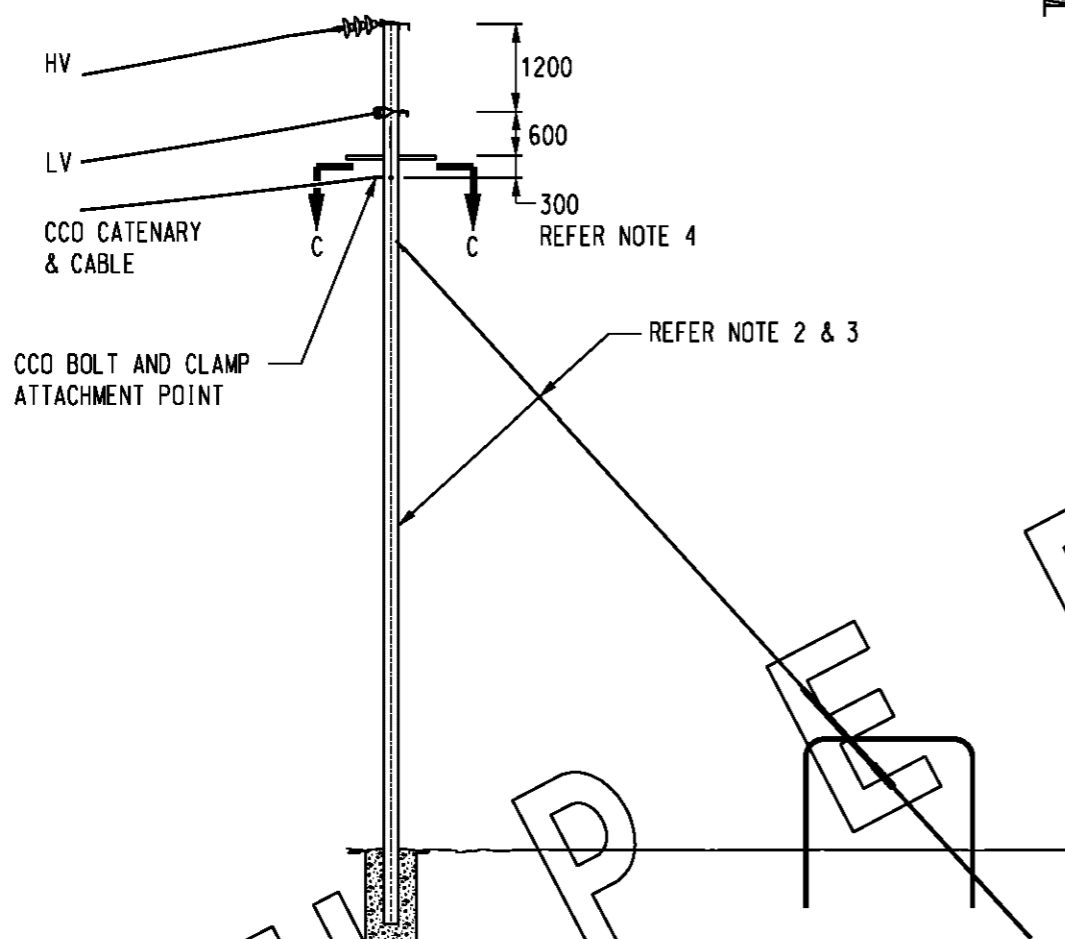
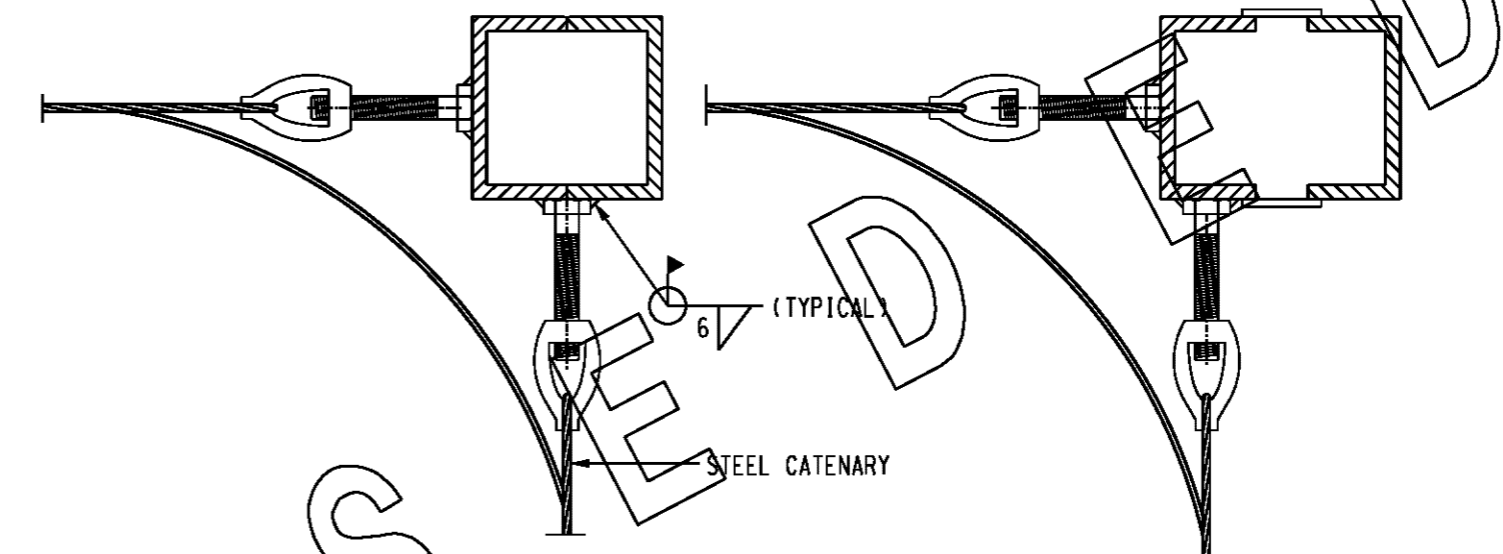


TYPICAL CCO TERMINATIONS SECTION C-C

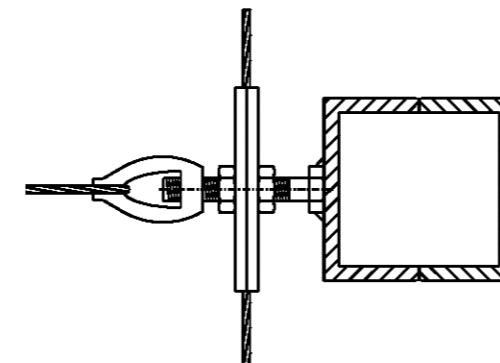


TYPICAL HV/LV - CCO TERMINATION POLE  
1:100



TERMINATION / TEE OFF  
1:5

TERMINATION / TEE OFF  
ALTERNATE LOCATION  
REFER NOTE 1  
1:5



TERMINATION / LINE POLE  
1:5

NOTES:

1. BOLT IS TO BE ATTACHED TO CENTRE OF POLE. WHERE THIS IS NOT POSSIBLE, ATTACH TO THE CENTRE OF THE FLANGE.
2. POLE STRENGTHS AND STAY SIZES TO BE CALCULATED USING CHART A ON DRG NO S1-02-02-23
3. STAYS ARE TO BE INSTALLED ON ALL HV OR LV TERMINATION POLES WHERE THE POLE IS IN THE WEAK DIRECTION AND CCO ALSO TERMINATES.
4. 300mm MINIMUM CLEARANCE IS REQUIRED BETWEEN THE SERVICE ARM AND THE CCO BOLT AND CLAMP ATTACHMENT POINT. WHEN NON-INSULATED OR BARE CABLES AND FITTINGS ARE ATTACHED TO THE SERVICE CROSSARM OR POLE AND WORK IS TO BE PERFORMED AT OR NEAR THE CCO BOLT/CLAMP ATTACHMENT POINT, PAWA IS TO BE CONTACTED TO 'MAT UP' ALL LIVE COMPONENTS WITHIN 600mm OF THE WORK LOCATION.

NO	DESCRIPTION	DRN	DATE	CKD	APPD
3	SUPERSEDED	A.T.	DEC'12	B.C.	B.C.
2	TEXT 'CETV' CHANGED TO 'CCO'.	RG1	FEB'97	MWB	FRR
1	NOTE 4 RE SAFETY CLEARANCES ADDED.	RG1	10/96	MWB	PJD
AMENDMENTS					



DES	M. BOCK	POWER STANDARD DRAWING		
DRN	R. INNES	<b>CCO (COMMUNICATIONS CABLE OWNER) ATTACHMENT POSITION TERMINATION</b>		
CKD	M. BOCK			
APPD	P. DEWAR			
SCALE	AS SHOWN			
ISSUED	06/09/96	A3	DRAWING NUMBER	S01-02-02-25
ALL DIM.	IN mm			
DRAFTING STANDARD TO A.S.1100			CAD PRODUCT - DO NOT AMEND MANUALLY	

