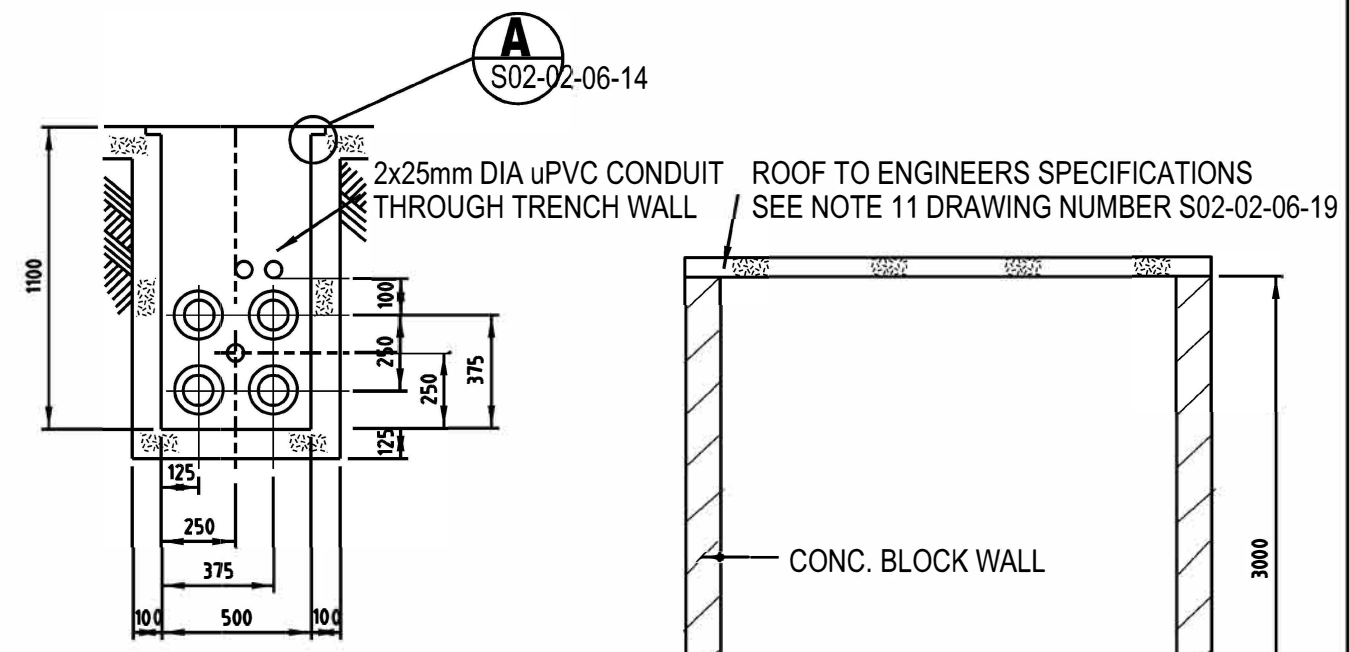
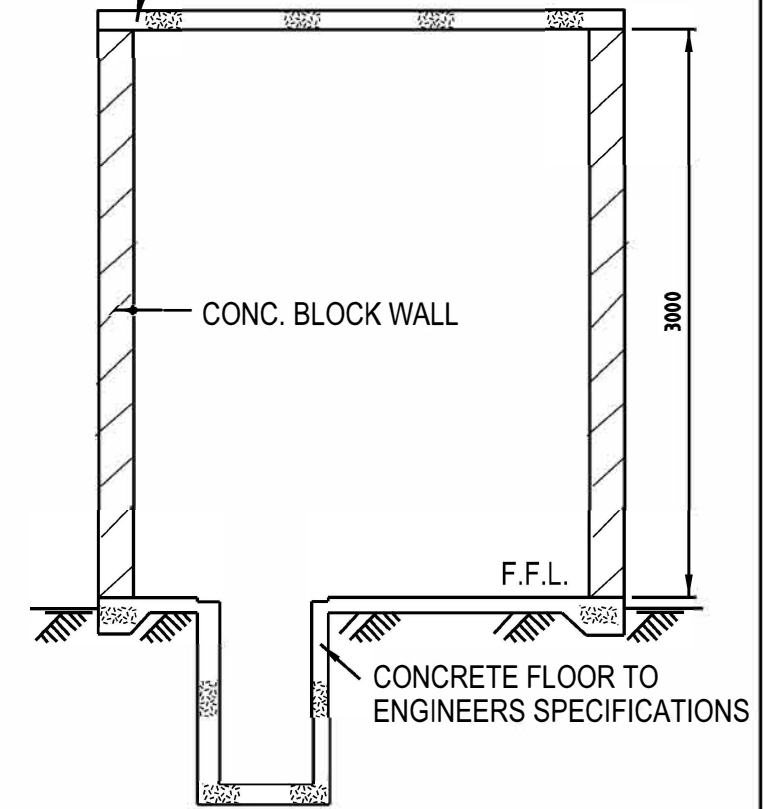


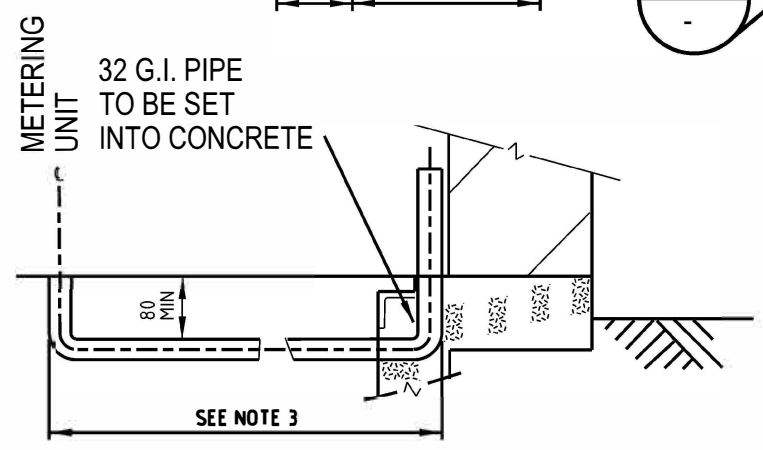
PLAN
Scale 1:40



SECTION - A
Scale 1:25



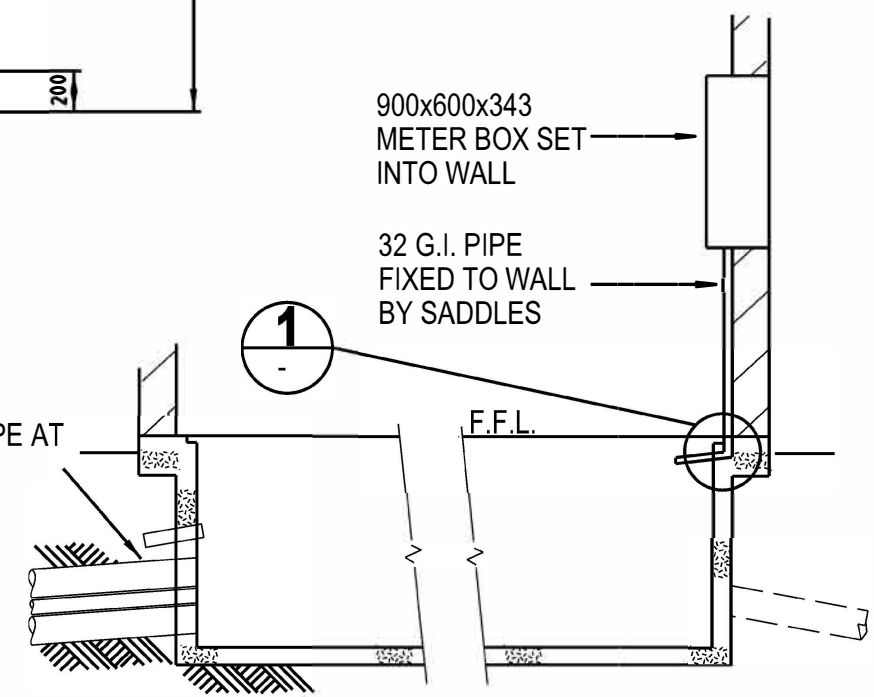
SECTION - C
Scale 1:40



DETAIL - 1
Scale 1:10

CONDUITS TO SLOPE AT A RATE OF 1 IN 25

4 x 150mm DIA. CAT 'A' uPVC CONDUIT
1 x 50mm DIA. CAT 'A' uPVC CONDUIT 915 LG.



SECTION - B
Scale 1:40

NOTES

1. THIS DIMENSION VARIES WITH EQUIPMENT USED TO SUIT INDIVIDUAL SITUATIONS. ALL DESIGNS MUST BE DISCUSSED WITH AND APPROVED BY THE REGIONAL ENGINEER.
2. REFER TO DRAWING NUMBER S02-02-06-19 FOR RELEVANT CONSTRUCTION NOTES.
3. 32 G.I. PIPE TO EXTEND FROM METERING BOX TO CENTRE OF METERING UNIT. REFER TO REGIONAL ENGINEER FOR EQUIPMENT LAYOUT DIMENSIONS.

2	DRAWINGS NUMBERS CHANGED AND REDRAWN	CWM	JUL '20	B.V.	H.E.
1	CONDUITS THROUGH TRENCH ADDED (SECTION A)	G.L.	SEPT '91	N.S.	N.S.
NO	DESCRIPTION	DRN	DATE	CKD	APPD
AMENDMENTS					



DES	.	POWER STANDARD DRAWING		
DRN	CWM	CIVIL		
CKD	N. STUBBS	HV CONSUMERS		
APPD	B.T.KENT.	SWITCHING STATION - METERING ROOM		
SCALE	.	CONSTRUCTION DETAILS		
ISSUED	OCT '90	A3	DRAWING NUMBER	S02-02-06-18
ALL DIM.	IN mm			
DRAFTING STANDARD TO A.S.1100		CAD PRODUCT - DO NOT AMEND MANUALLY		AMDT