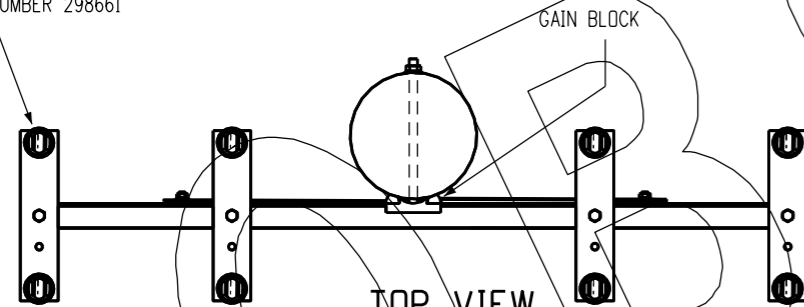


ELEVATION "A"

LV SPACER
REFER DRG S01-01-04-05 ITEM 1
ITEM NUMBER 298661



TOP VIEW

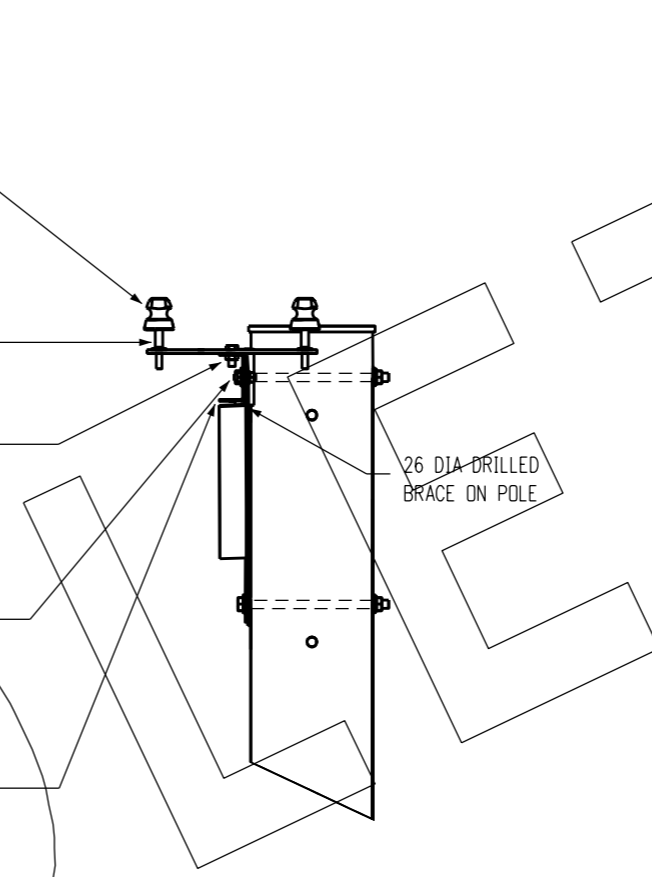
LV PIN INSULATOR
ITEM NUMBER 3277
REFER DRG S01-01-03-01

LV INSULATOR PIN
ITEM NUMBER 3251
REFER DRG S01-01-04-01,
FLAT WASHER & M16 NUT

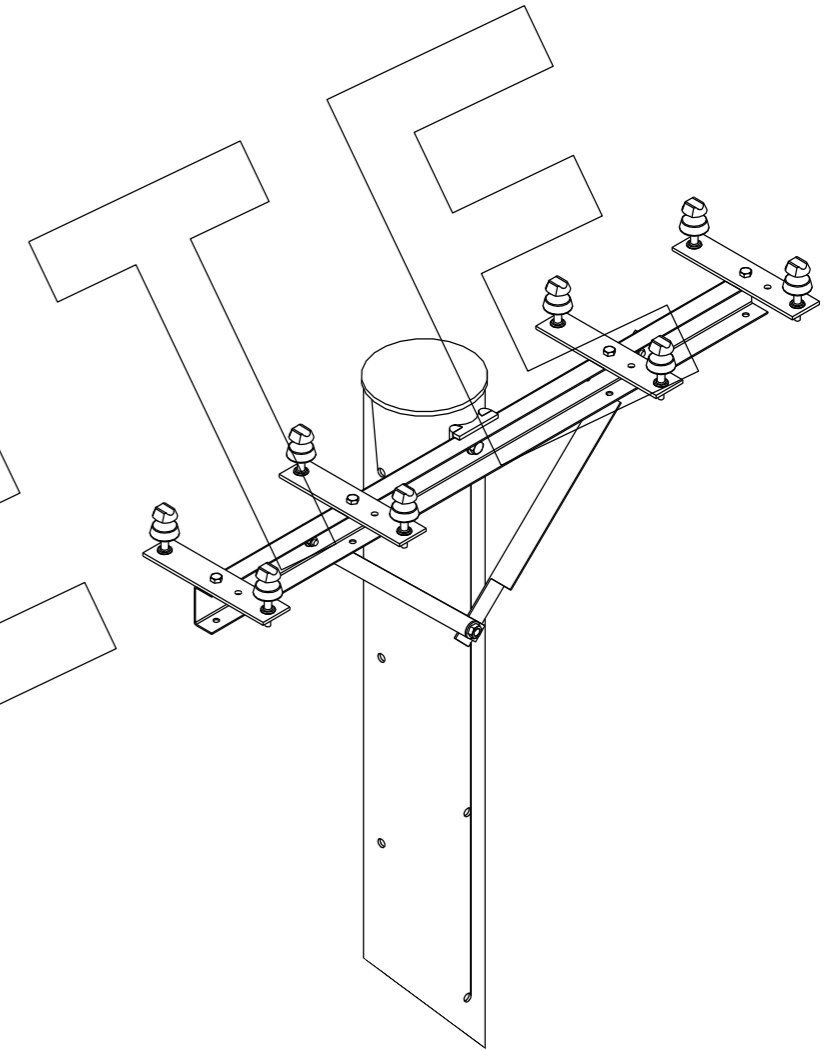
CROSSARM TO LV SPACER
CONNECTION, M16 BOLT
60 LONG, 2 x LARGE FLAT
WASHERS, SPRING WASHER
AND M16 NUT

POLE BRACE TO CROSSARM
CONNECTION, M24 BOLT
2 x LARGE FLAT
WASHERS, SPRING WASHER
AND M24 NUT

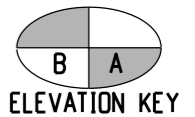
LV LINE 4 WIRE CROSSARM
REFER DRG NO S01-01-02-11
DURAGAL ITEM NUMBER 298562
HOT DIPPED GAL ITEM NUMBER 411561



ELEVATION "B"




ISOMETRIC VIEW



ELEVATION KEY

NO	DESCRIPTION	DRN	DATE	CKD	APPD
1	CHANGED 'STOCK CODE' TO 'ITEM NUMBER. UPDATED TITLEBLOCK & DRAWING REFERENCES. OBSOLETE.	A.N.	JUL '21	A.N.	B.C.
0	ISSUED FOR CONSTRUCTION	C.C.	MAY '05	A.T.	A.T.
AMENDMENTS					

PowerWater
NORTHERN TERRITORY

DES	A.TAYLOR	POWER STANDARD DRAWING		
DRN	C.COPPINS	ASSEMBLIES INSULATORS ON LV 'b' TOP FOR ROUND POLE CONSTRUCTION		
CKD	A.TAYLOR			
APPD	A.TAYLOR			
SCALE	AS SHOWN			
ISSUED	MAY'11	A3	DRAWING NUMBER	S01-02-01-54
ALL DIM.	IN mm			
DRAFTING STANDARD TO A.S.1100		CAD PRODUCT - DO NOT AMEND MANUALLY		 AMDT