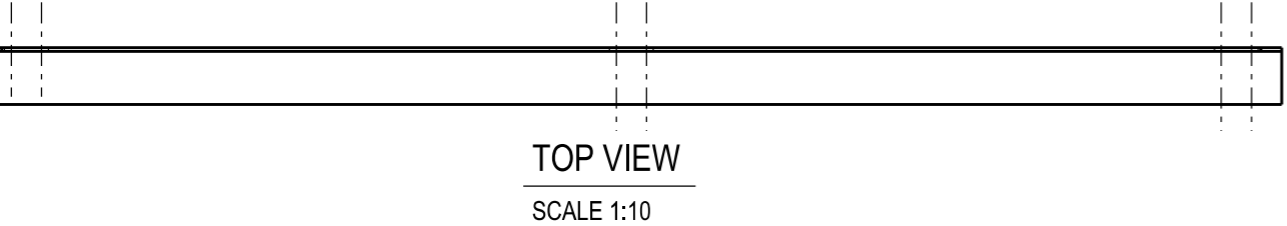
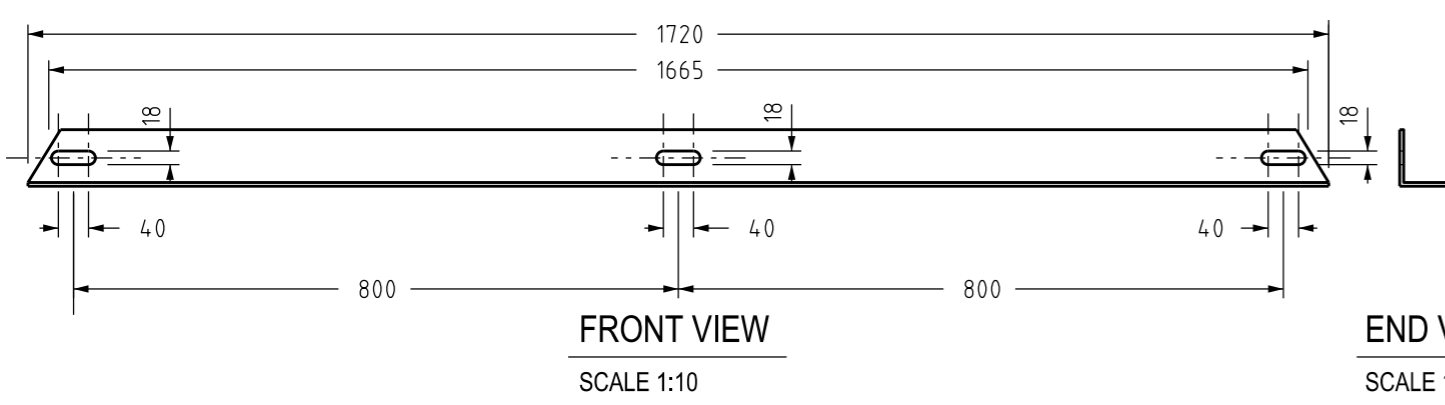
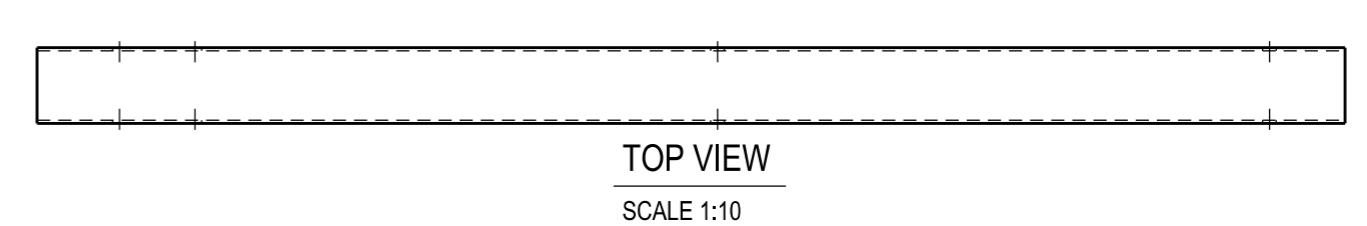
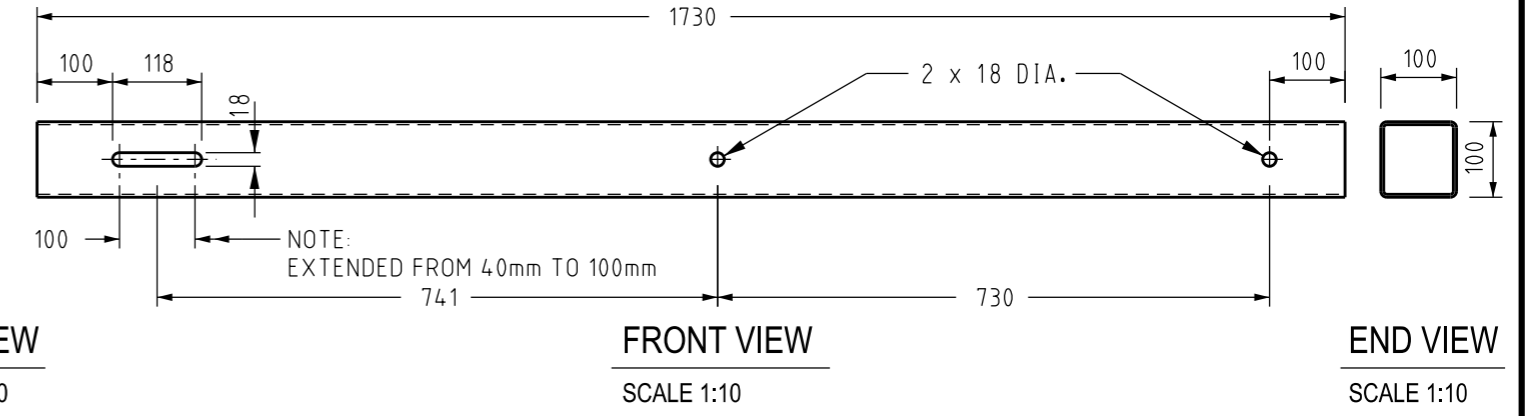


- NOTE 1:**
- ITEM 1: "LINE" TO BE SPRAY PAINTED ON TO CROSSARM. MINIMUM HEIGHT OF LETTERING TO BE 80mm.
 - ITEM 2: BRACE IS TO BE USED FOR SHORT SPAN CONDUCTOR.
 - ITEM 3: BOX TYPE BRACE IS TO BE USED FOR LONG SPAN CONDUCTOR.

ITEM 1: CROSSARM - HIGH IMPULSE REPLACEMENT ITEM NUMBER 291641
 MATERIAL : 100 x 100 x 4 DURAGAL SHS



ITEM 2: BRACE LIGHT DUTY- HIGH IMPULSE REPLACEMENT ITEM NUMBER 291658
 MATERIAL : 75 x 75 x 5 DURAGAL EA



ITEM 3: BRACE HEAVY DUTY- HIGH IMPULSE REPLACEMENT ITEM NUMBER 401071
 MATERIAL : 100 x 100 x 4 DURAGAL SHS EA

NO	DESCRIPTION	DRN	DATE	CKD	APPD
7	INCLUDE SLOT WIDTHS DIMENSION ON ITEM 2. LABELED VIEWS AND SCALES. EDITED NOTE 1.	C.C.	JUL'21	B.V.	A.N.
6	TITLEBLOCK & DRAWING NUMBER FORMATTED	C.C.	14.09.19	C.C.	M.S.
5	ITEM 1 SUPERSEDED	K.I.	13.09.06	R.S.	S.C.
4	ITEM 3 : SLOTS EXTENDED FROM 40 TO 100 LONG	A.S.	11.10.6	C.C.	C.C.
3	ITEM 3 AND NOTE 3 ADDED	A.S.	30.10.4	R.C.	M.B.
2	MATERIALS AND NOTE 1. ADDED	A.S.	23.7.02	M.B.	M.B.
1	ITEM 1 : 6 X 18 DIA. HOLES SHOWN DRILLED THROUGH X-ARM	A.S.	28.3.02	F.R.	F.R.
AMENDMENTS					



DES		POWER STANDARD DRAWING	
DES	P.McCORMACK	CROSSARMS HIGH IMPULSE REPLACEMENT CROSSARM AND BRACE	
DRN	R.INNES	A3	DRAWING NUMBER S01-01-02-08
CKD	-	DRAWING NUMBER S01-01-02-08	
APPD	F.ROBSON	DRAWING NUMBER S01-01-02-08	
SCALE	1:10	DRAWING NUMBER S01-01-02-08	
ISSUED	AUGUST 1999	DRAWING NUMBER S01-01-02-08	
ALL DIM. IN mm		DRAWING NUMBER S01-01-02-08	
DRAFTING STANDARD TO A.S.1100		DRAWING NUMBER S01-01-02-08	
		CAD PRODUCT - DO NOT AMEND MANUALLY	

