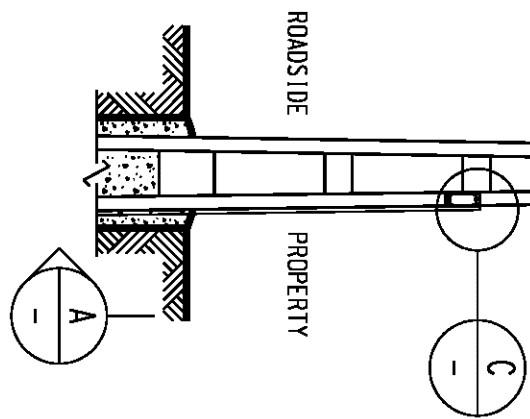
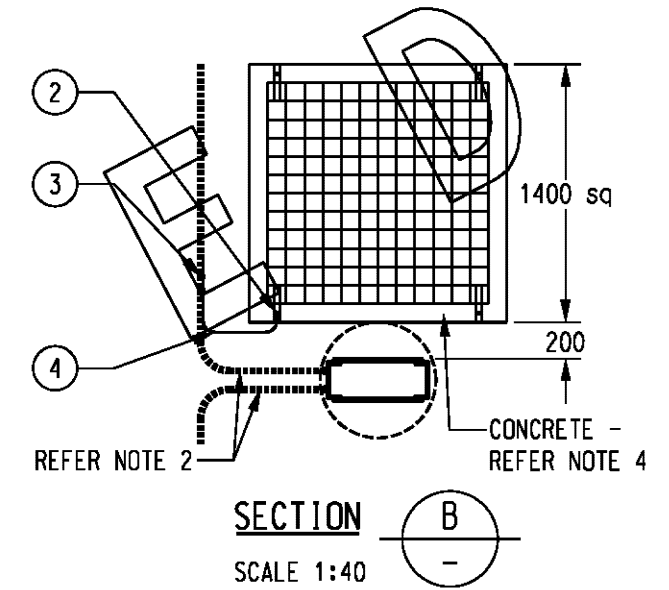
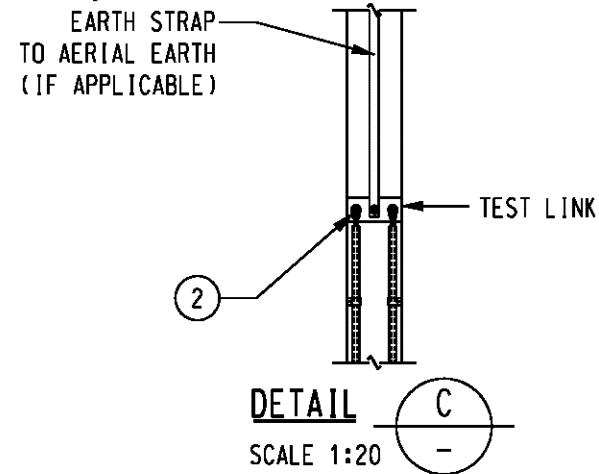
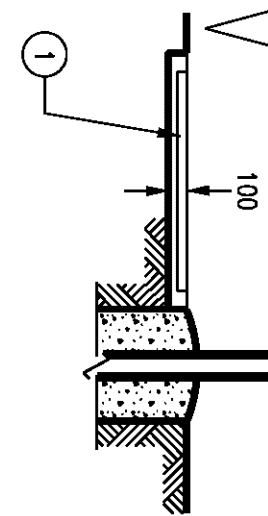


ELEVATION  
SCALE 1:40



SECTION  
SCALE 1:40



**NOTES:**

1. WITH EARTH TEST LINK CONNECTED, RESISTANCE OF EARTH MAT AND ELECTRODES SHALL NOT EXCEED 30 OHM MAX.
2. REFER TO DRAWING NUMBERS S01-02-03-11, S01-02-03-12 AND S01-02-03-13 FOR APPROPRIATE EARTHING ARRANGEMENT FROM THE TEST LINK LOCATION DOWNWARDS.
3. EARTH MAT TO BE CAST CENTRALLY AND FLUSH WITH TOP SURFACE OF NON-REINFORCED SLAB.
4. CONCRETE TO HAVE A DESIGN STRENGTH OF 20MP<sub>a</sub>.
5. WHERE AERIAL EARTH IS ATTACHED TO POLE, EXTEND EARTHING BY COPPER STRAP TO CONNECT AERIAL EARTH TO GAS BREAK SWITCH EARTHING.

TAG NO	QTY	DESCRIPTION	STOCK CODE	DRG REF
4	1M	CONDUCTOR - 19/2.14	9803	-
3	2	SPLIT BOLT	2253	-
2	1	QUICK LUG - 19.2.14	5793	-
1	1	EARTH MAT	11882	S01-01-05-02

MATERIAL SCHEDULE

NO	DESCRIPTION	DRN	DATE	CKD	APPD
5	SUPERSEDED	A.T.	DEC'12	B.C.	B.C.
4	ITEM 2 Q/LUG CHANGED TO COMPRESSION	K.I.	FEB'05	C.C.	C.C.
3	EARTHING DETAIL ADDED, NOTE 5 ADDED.	RGI	APR'01	MWB	FFR
2	REDRAWN AND GENERALLY REVISED	gmck	JUL'92	N.S.	B.T.K.
1	LUGS ON DETAIL 1 SHOWN AS QUICK LUGS	gmck	FEB'92	N.S.	-

AMENDMENTS



DES	A.TICE	POWER STANDARD DRAWING		
DRN	gmck	<b>EARTHING</b>		
CKD	N.STUBBS	<b>GAS BREAK SWITCH</b>		
APPD	B.T.KENT	<b>EARTHING ARRANGEMENT</b>		
SCALE	AS SHOWN	A3	DRAWING NUMBER	S01-02-03-09
ISSUED	MAR'91			
ALL DIM.	IN mm	DRAWING NUMBER S01-02-03-09		
DRAFTING STANDARD TO A.S.1100		CAD PRODUCT - DO NOT AMEND MANUALLY		5 AMDT