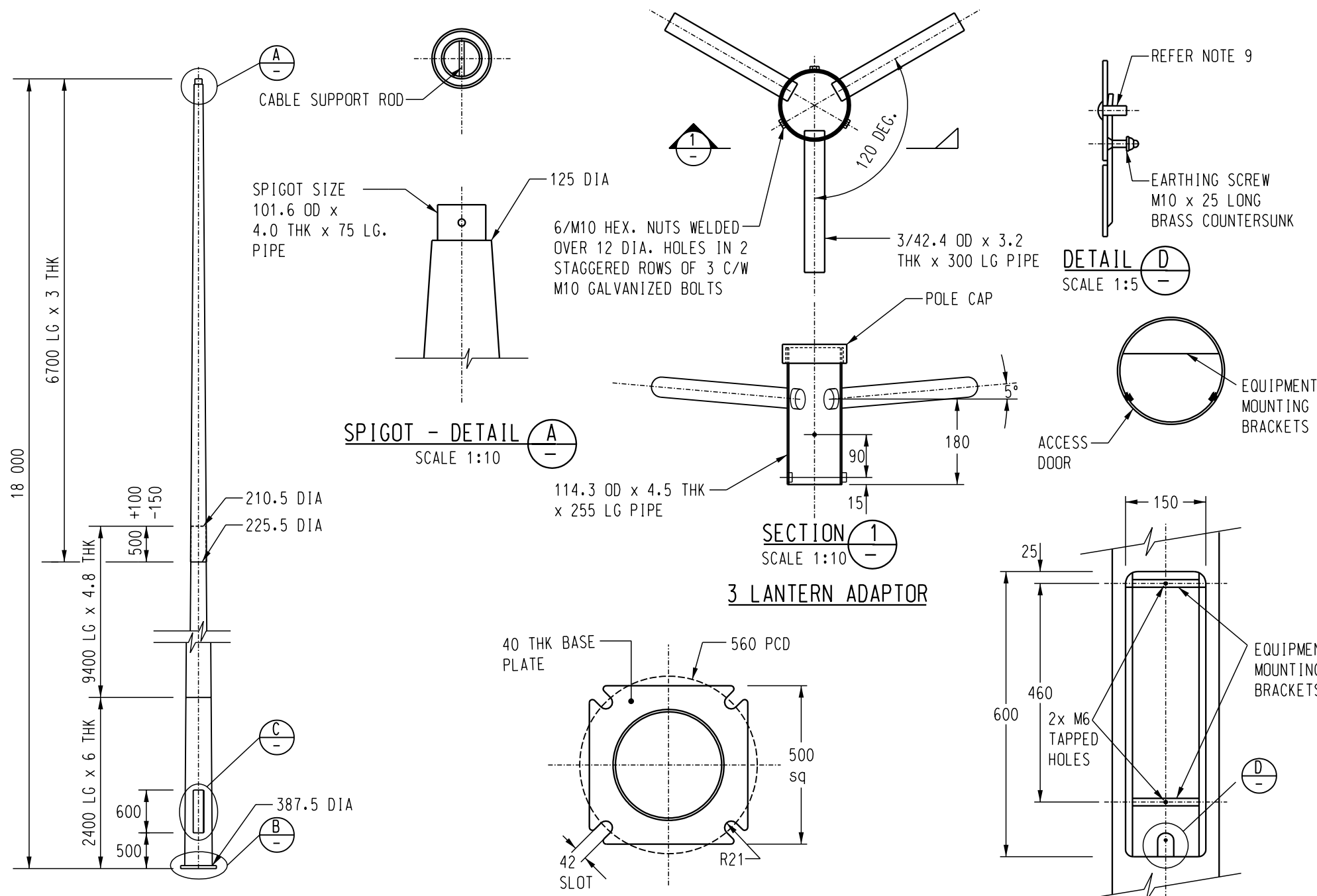


3RD ANGLE -DO NOT SCALE - REPORT ANY ERRORS, OMISSIONS TO DRAFTING OFFICE



ITEM 1 - 18M POST TOP TYPE COLUMN  
ITEM NUMBER 15891

BASE PLATE - DETAIL B  
SCALE 1:15

EQUIPMENT ACCESS - DETAIL C  
SCALE 1:10  
(DOOR REMOVED FOR CLARITY)

**NOTES :**

1. ALL WELDING AND WELD PREPARATION SHALL BE IN ACCORDANCE WITH AS1554.
2. CIRCUMFERENTIAL WELDS TO BE JOGGLED BUTT TYPE. LONGITUDINAL WELDS TO BE SINGLE BUTT TYPE. ALL WELDS TO BE MADE BY CONTINUOUS AUTOMATIC PROCESS AND ARE NOT TO BE DRESSED SMOOTH.
3. AFTER FABRICATION ALL COMPONENTS TO BE ACID DE-SCALED AND HOT DIPPED GALVANIZED MINIMUM 450g/sq.m TO AS4680.
4. WIND LOADINGS TO COMPLY WITH THE REQUIREMENTS OF AS1170.2 - SECTION 4  
DESIGNS ARE TO BE BASED ON -  
- MAXIMUM WIND SPEED OF  $V_u = 66\text{m/sec}$  DERIVED FROM A DESIGN LIFE OF 25 YEARS WITH A 5% PROBABILITY FACTOR OF  $V_u$  BEING EXCEEDED IN THAT PERIOD.  
- MAXIMUM WIND SPEED OF  $V_s = 47\text{m/sec}$  DERIVED FROM A DESIGN LIFE OF 25 YEARS WITH A 63% PROBABILITY FACTOR OF  $V_s$  BEING EXCEEDED IN THAT PERIOD WITH A MAXIMUM DEFLECTION LIMIT OF 4% OF NOMINAL LENGTH.  
- REGION 'C' AND TERRAIN CATEGORY '3'  
- LUMINAIRES WITH A WIND AREA OF  $0.21\text{sq.m}$ , A MASS OF  $25\text{kg}$  EACH AND DRAG CO-EFFICIENT OF 0.9
5. COLUMNS ARE TO CONFORM TO THE REQUIREMENTS OF AS4100 AND AS1798.
6. COLUMNS ARE TO HAVE CONTINUOUS TAPER OVER THEIR ENTIRE LENGTH AND A STEEL THICKNESS OF NOT LESS THAN 3mm.
7. TWO PIECE COLUMNS MUST BE ASSEMBLED PRIOR TO DELIVERY.
8. ACCESS DOORS ARE NOT INTERCHANGEABLE. ENSURE THAT INDIVIDUAL COLUMNS AND DOORS ARE SUITABLY MATCHED AND MARKED.
9. EQUIPMENT ACCESS DOOR TO BE PROVIDED (DETAIL C) HAVING 'TAMPER PROOF' LOCKING DEVICE. DOOR ACCESS SCREW TO BE M10 STAINLESS STEEL I.S.O. METRIC BUTTON HEAD SOCKET TYPE.
10. COLUMN TO BE SUPPLIED COMPLETE WITH 3 LANTERN ADAPTOR.
11. ALL POLE MANUFACTURERS SHALL COMPLY WITH ISO 3834.

4	TITLEBLOCK & DRAWING NUMBERS FORMATTED	K.T.	FEB'19	C.C.	C.C.
3	NOTE 4 AMENDED	I.B.	JUN'16	A.T.	B.C.
2	GALVANIZING STANDARD UPDATED TO AS4680 NOTE 11 ADDED	A.T.	JAN'13	B.C.	B.C.
1	REDRAWN IN CAD	A.D.	MAY'98	R.I.	F.R.
NO	DESCRIPTION	DRN	DATE	CKD	APPD
AMENDMENTS					



DES	-	POWER STANDARD DRAWING		
DRN	A.DAVIS	COLUMN TAPERED STEEL 18 METRE 3 LANTERN POST TOP TYPE		
CKD	R.INNES			
APPD	F.ROBSON			
SCALE	AS SHOWN			
ISSUED	MAY'98	A3	DRAWING NUMBER	S03-01-01-02
ALL DIM.	IN mm			
DRAFTING STANDARD TO A.S.1100		CAD PRODUCT - DO NOT AMEND MANUALLY		4 AMDT