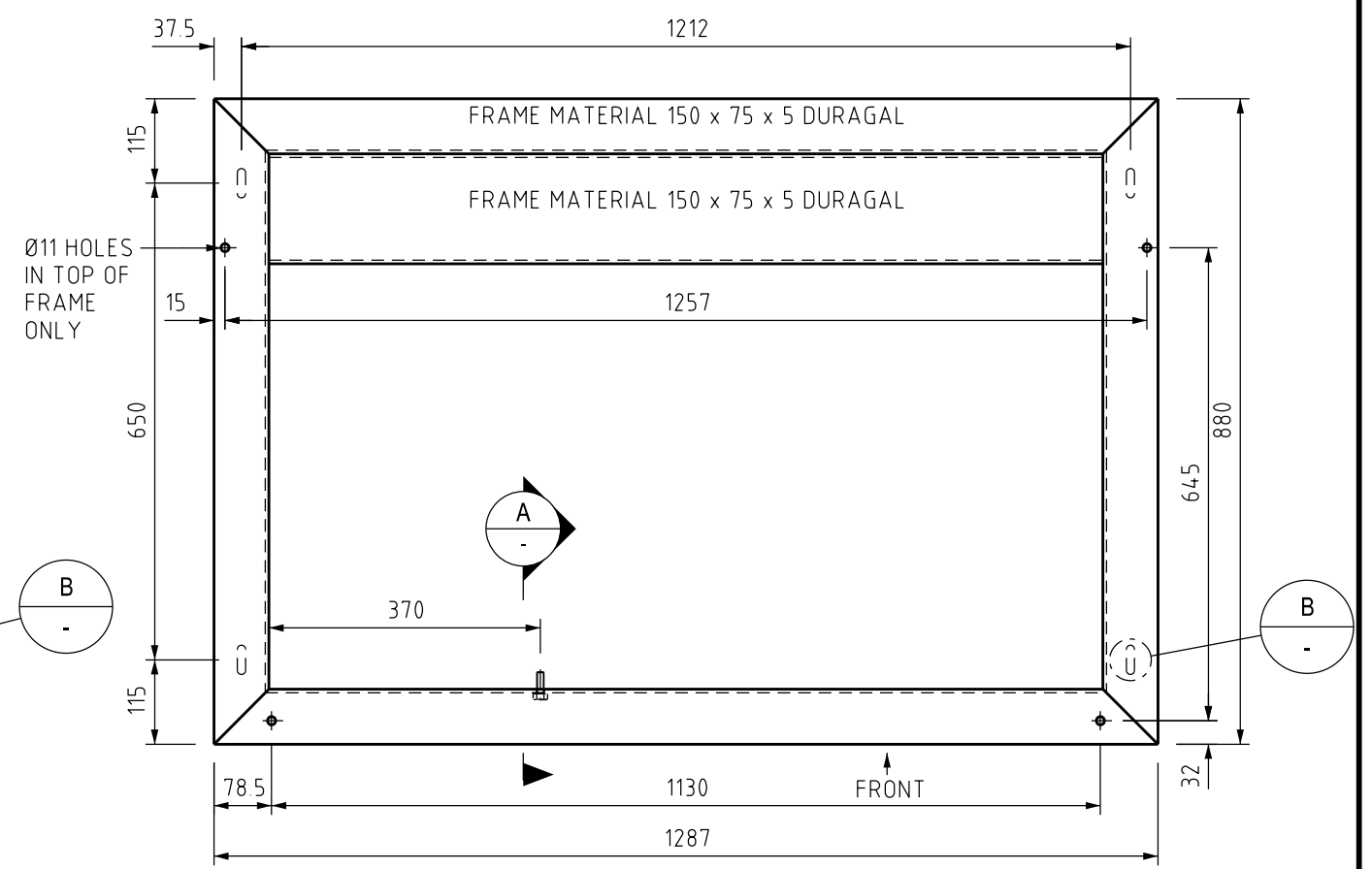
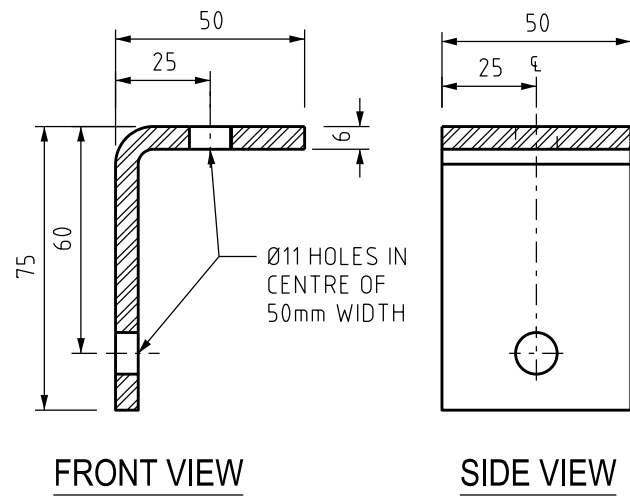


PLAN - RM6 RMU 4 FUNCTION UNIT MOUNTING FRAME
SCALE 1:10 ITEM NUMBER: 501099



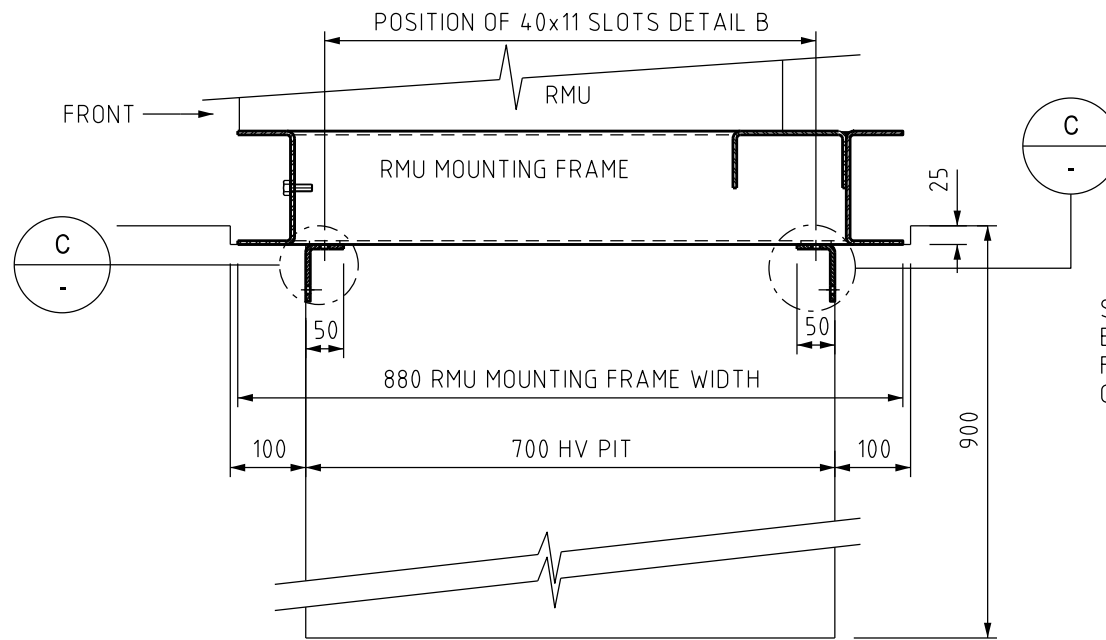
PLAN - RM6 RMU 3 FUNCTION UNIT MOUNTING FRAME
SCALE 1:10 ITEM NUMBER: 501100



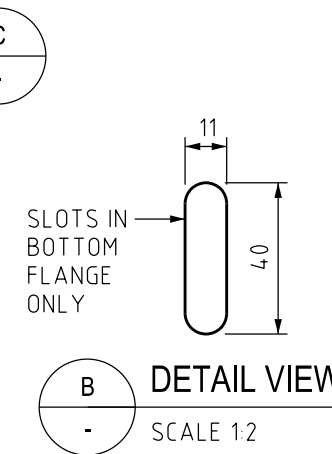
FRONT VIEW SIDE VIEW

DURAGAL BRACKET (50mm WIDE) 4 OFF FOR FIXING FRAME TO HV PIT WALL

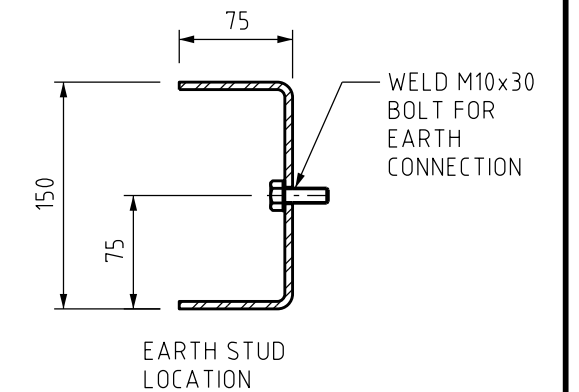
C DETAIL VIEW
SCALE 1:2



SECTION THROUGH HV PIT
SCALE 1:10



B DETAIL VIEW
SCALE 1:2



A SECTION DETAIL VIEW
SCALE 1:5

3	PIT RECESS DIMENSION AMENDED. ADDED DEATIL C & AMENDED DETAIL A TO SECTION DETAIL	C.C.	NOV'21	B.V.	A.N.
2	TITLEBLOCK & DRAWING NUMBER FORMATTED	K.T.	FEB'19	CC	CC.
1	STOCK CODES ADDED	C.M.	JUN'14	B.C.	B.C.

NO	DESCRIPTION	DRN	DATE	CKD	APPD
AMENDMENTS					



DES	D. MOFFAT
DRN	A. SCHMID
CKD	D. MOFFAT
APPD	T. TANG
SCALE	AS SHOWN
ISSUED	SEPT'06
ALL DIM. IN mm	
DRAFTING STANDARD TO A.S.1100	

POWER STANDARD DRAWING

RM6 RING MAIN UNIT
3 AND 4 FUNCTION
MOUNTING FRAME

A3 DRAWING NUMBER S02-02-07-57

CAD PRODUCT - DO NOT AMEND MANUALLY

