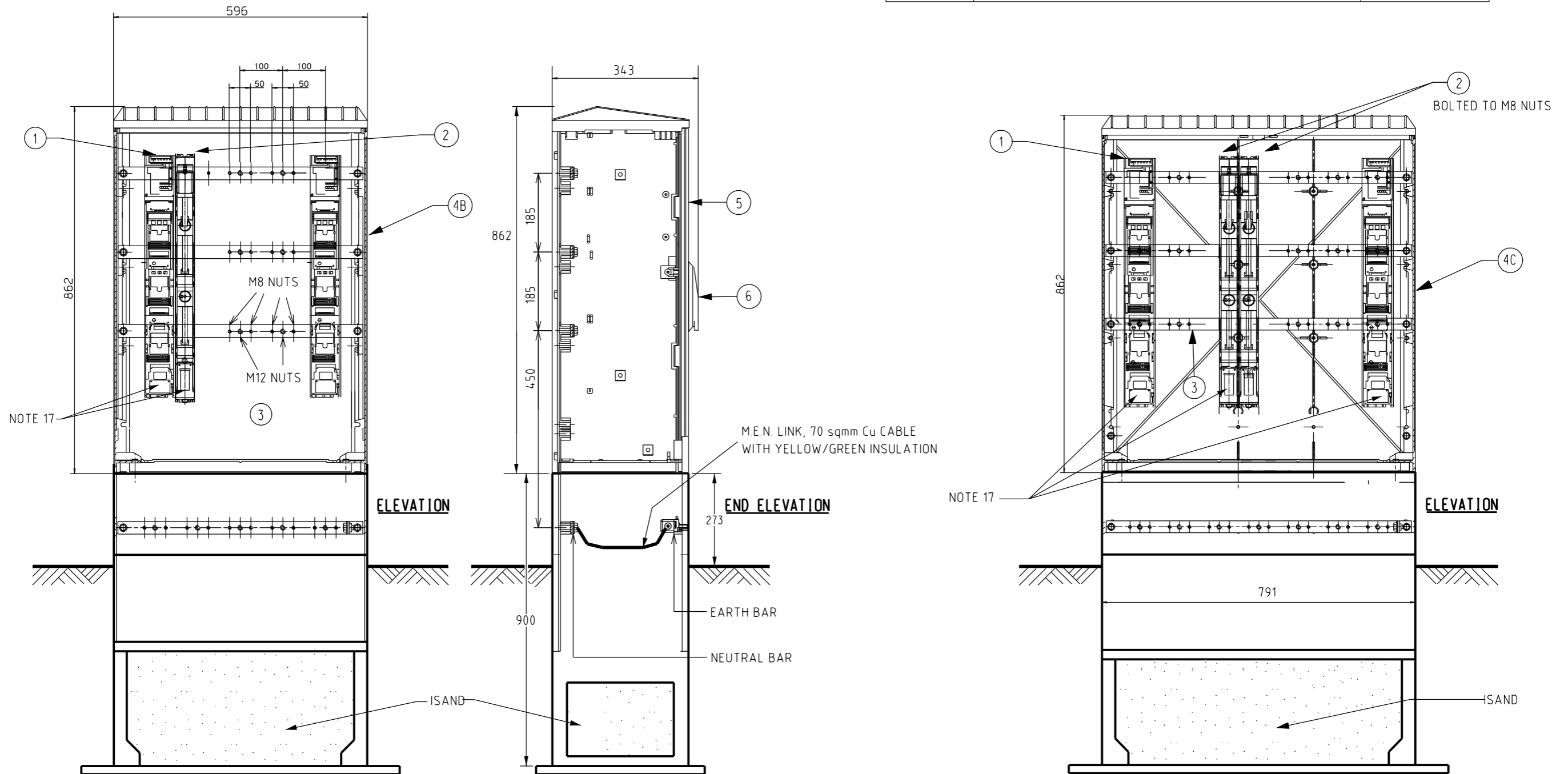


ITEM REF.	ITEM DES.	ITEM NUMBER	DWG REF.
1	FUSE SWITCH BASE 630A	11866	S02-01-04-08
2	FUSE SWITCH BASE 160A	407050	S02-01-04-18
3	50mm WIDE PERSPEX COVER WITH M8 NYLON BOLTS	502205	-
3A	100mm WIDE PERSPEX COVER WITH M12 NYLON BOLTS	502204	-

ITEM REF.	ITEM DES.	ITEM NUMBER
4A	PILLAR BOX - 3 BAYS - 396 WIDE	292326
4B	PILLAR BOX - 5 BAYS - 596 WIDE	292334
4C	PILLAR BOX - 7 BAYS - 791 WIDE	292342
5	REPLACEMENT DOOR - 5 BAY PILLAR	414557
6	REPLACEMENT LOCKING LEVER	414558
7	STANDOFF 'Z' BRACKET KIT	502207



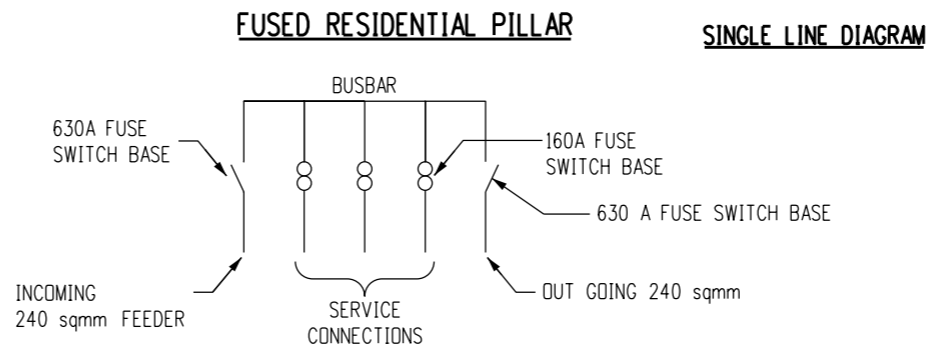
NO	DESCRIPTION	DRN	DATE	CKD	APPD
12	REMOVED NEUTRAL BUSBAR EXTENSION. AMEND SHEET 2.	A.N.	JAN'22	B.V.	B.C.
11	REFORMATTED TABLES. ADDED ITEM 7. SHEET 2 AMENDED.	A.N.	AUG'21	C.C.C.	B.V.
10	SHEET 2 AMENDED.	H.E.	SEP'20	B.V.	B.V.
9	TITLEBLOCK & DRAWING NUMBER FORMATTED	K.T.	FEB'19	C.C.	C.C.
8	ITEMS 3 AND 3A ADDED	A.T.	APR'14	B.C.	B.C.
7	ITEMS 5 AND 6 ADDED	A.T.	SEP'11	B.C.	S.C.
6	NOTES MOVED TO SHEET 2, 7 SLOT PILLAR ADDED	C.M.	FEB'10	B.C.	S.C.
5	NOTE 5 ADDED	J.C.	JUN'09	B.C.	S.C.
4	STOCK CODES CHANGED	J.C.	NOV'08	B.C.	S.C.

PowerWater
NORTHERN TERRITORY

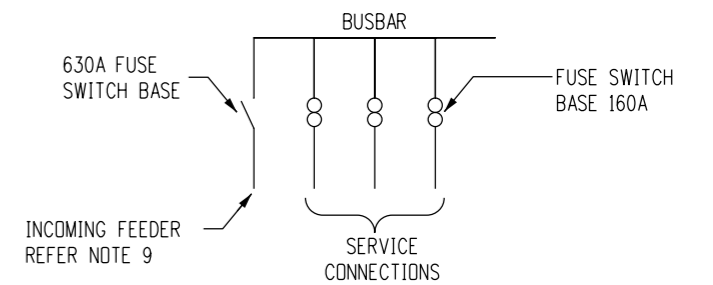
DES	-	POWER STANDARD DRAWING	
DRN	R. INNES	STRIPLE FUSE PILLAR FRONT OPENING SHEET 1 OF 2	
CKD	-		
APPD	F. ROBSON	A3	DRAWING NUMBER S02-02-03-08_1
SCALE	NO SCALE		
ISSUED	APR'01	DRAFTING STANDARD TO A.S.1100	
ALL DIM.	IN mm		
CAD PRODUCT - DO NOT AMEND MANUALLY		AMDT	

NOTES

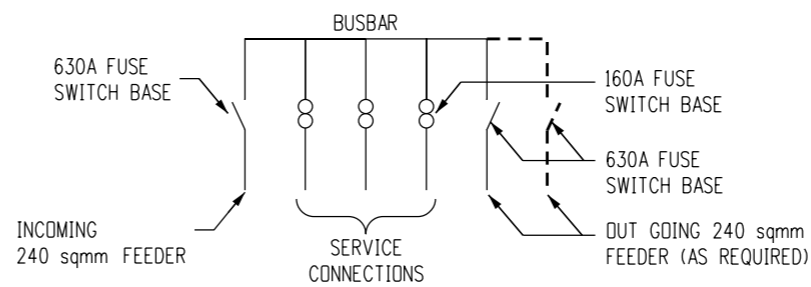
1. FUSE PILLARS CONSTRUCTED FROM IMPACT RESISTANT, GLASS FIBRE REINFORCED POLYESTER. EXTRA COATING FOR UV PROTECTION REQUIRED.
2. PADLOCK HASP AND STAPLE PREFERRED.
3. 630A BUS BARS REQUIRED FOR ALL ACTIVE PHASE, NEUTRAL BUS BAR AND EARTH BUS BAR.
4. FOR CONSUMER CONNECTIONS 100 AMP, DIN SIZE 00 STRIPLE FUSES (ITEM NUMBER 286237) TO BE INSTALLED IN 160AMP STRIPLE FUSE SWITCH BASE.
5. ALL BOLT HOLES SHALL HAVE CAPTIVE NUTS FITTED.
6. 630 AMP FUSE SWITCH BASES SHALL BE INSTALLED TO BOTH SIDES OF ACTIVE BUS BARS AND SHALL BE FITTED WITH SOLID LINKS. (ITEM NUMBER 502716).
8. BUS BAR PHASE SEQUENCE, FROM TOP TO BOTTOM, IS RED, WHITE, BLUE, NEUTRAL.
9. IF A NON-OPEN POINT FUSED TERMINATION PILLAR IS SUPPLYING A MAXIMUM OF 1 CUSTOMER PER PHASE, THE INCOMING FEEDER CAN BE A 0.6/1kV/25 sq mm Cu/XLPE/NYLON/PVC CABLE. OTHERWISE IT SHALL BE THE STANDARD POWER AND WATER LOW VOLTAGE 240 sq mm AL XLPE CABLE.
10. ALL EXPOSED ACTIVE BUS BARS SHALL BE COVERED WITH PERSPEX SHEETING ATTACHED WITH NYLON BOLTS.
11. NEUTRAL AND EARTH BUS BARS SHALL BE THE SAME SIZE AS THE ACTIVE PHASE BUS BARS.
12. REFER TO DRAWINGS S02-02-03-12 FOR STRIPLE FUSE PILLAR EASEMENT DETAILS.
13. ALL CABLES SHALL HAVE THEIR FULL DESTINATION OR LOT TAGGED ON THE CABLE, INCLUDING NEUTRAL, WITH TAGS SECURED TO THE CABLE WITH NYLON CABLE TIES. PHASING AND LOT DESTINATION SHALL BE LABELLED ONTO THE BASE OF THE 160AMP FUSE SWITCH BASE. E.G. R:L1234, W:L1235, B:L1236 USING BRADY BMP71 PRINTER, BLACK INK (ITEM NUMBER: 502497) AND WHITE RIBBONS (ITEM NUMBER: 502498) (BLACK-M71-R6000)
14. ALL ASSOCIATED EQUIPMENT WITHIN THE PILLAR SHALL BE SUPPLIED AND INSTALLED BY THE PROJECT DEVELOPER AND READY FOR FINAL CONNECTION BY PWC.
15. ALL FUSE PILLARS SHALL USE THE PWC 1-13 LOCKING SYSTEM.
16. REFER TO S02-02-02-10 FOR CABLE TERMINATION AND HEATSHRINK APPLICATION.
17. ALL CURRENT CARRYING BOLTED CONNECTIONS SHALL BE VIA CLASS 8.8 STAINLESS STEEL BOLTS TO THE FOLLOWING TORQUESPECIFICATIONS:
 M8: 10-15NM
 M10: 30-35NM
 M12: 35-40NM
- ALL CONNECTIONS MUST USE A SPRING WASHER BETWEEN A FLAT WASHER AND THE NUT. WHERE CAPTIVE NUTS ARE USED THE SPRING WASHER MUST BE ON THE BOLT SIDE OF THE CONNECTION. ALL STAINLESS STEEL BOLTS REQUIRE A COATING OF ANTI-SEIZE BEFORE INSTALLATION. WHERE MULTIPLE BOLTS ARE USED TO MAKE A CONNECTION, DO NOT APPLY FULL TORQUE TO THE BOLTS ON THE FIRST PASS.
18. ALL UNMETERED SERVICE PROVISIONS WILL BE 25SQMM COPPER CABLE. REFER TO STANDARD DRAWING S02-01-01-20 FOR DETAILS. FOR PROVISION OF AN EXISTING STREETLIGHT SERVICE AN INLINE SUBMERSIBLE FUSE WILL BE FITTED AND ACCESSIBLE IN THE PILLAR FOR ISOLATION OF THE SERVICE BY AN AUTHORISED STREET LIGHT MAINTENANCE WORKERS. REFER TO ITEM No. 400921 FOR DETAILS OR THE ROAD OWNER CAN SUBMIT AN ALTERNATE PROPOSED FUSE ARRANGEMENT TO PWC FOR APPROVAL. FOR NEW STREET LIGHT SERVICES AN INLINE FUSE IS NOT REQUIRED, THE UNMETERED SERVICE MAINS ARE CONNECTED DIRECTLY TO THE ROAD OWNERS STREETLIGHT PILLAR. REFER TO NP003 INSTALLATION RULES FOR SERVICE DETAILS AND NP007 FOR STREETLIGHT DESIGN AND CONSTRUCTION REQUIREMENTS.



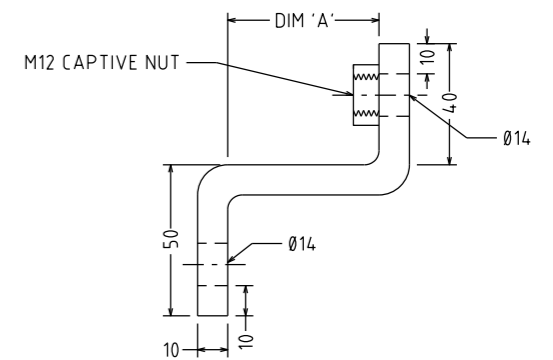
NON-OPEN POINT FUSED TERMINATION PILLAR



3 WAY/LINK/OPEN POINT FUSED PILLAR

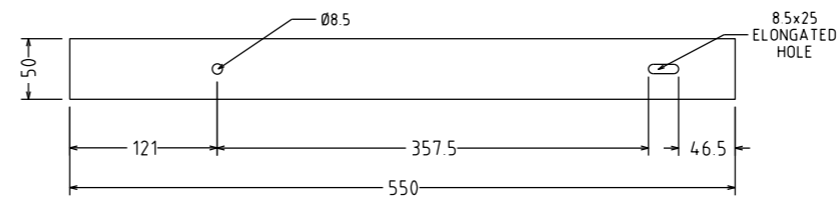


ITEM 7: STANDOFF 'Z' BRACKET KIT



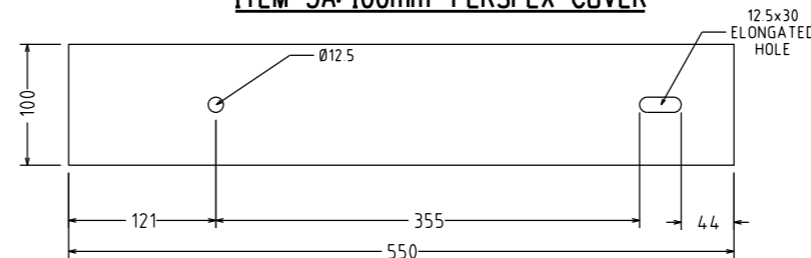
ITEM NUMBER: 502207
 MATERIAL: 30x10mm TINNED COPPER
 KIT CONTAINS:
 - 1x 'Z' BRACKET WITH DIM 'A': 50mm
 - 1x 'Z' BRACKET WITH DIM 'A': 90mm
 - 4x SS304 M12 BOLTS AND GALV. STEEL WASHERS

ITEM 3: 50mm PERSPEX COVER



ITEM NUMBER: 502205
 MATERIAL: 3mm CLEAR PERSPEX
 SUPPLIED WITH 2x M8 NYLON BOLTS AND WASHERS

ITEM 3A: 100mm PERSPEX COVER



ITEM NUMBER: 502204
 MATERIAL: 3mm CLEAR PERSPEX
 SUPPLIED WITH 2x M12 NYLON BOLTS AND WASHERS

NO	DESCRIPTION	DRN	DATE	CKD	APPD
15	REMOVE ITEM A, NEUTRAL BUSBAR EXTENSION & NOTE 7. AMEND SHEET 1.	A.N.	JAN'22	B.V.	B.C.
14	UPDATED NOTES 6 & 13 ITEM NUMBER. CHANGE STOCK CODES TO ITEM NUMBERS. REFORMATTED NOTES. ADDED ITEM 3, 3A & 7 IMAGES.	A.N.	AUG'21	C.C.C.	B.V.
13	NOTE 18 ADDED	H.E.	SEP'20	B.V.	B.V.
12	TITLEBLOCK & DRAWING NUMBER FORMATTED	K.T.	FEB'19	C.C.	C.C.
11	NOTE 6, 13 AMENDED. SINGLE LINE DIAGRAM UPDATED	C.C.	APR'15	I.B.	B.C.
10	NOTE 13 UPDATED	A.T.	APR'14	B.C.	B.C.
9	NOTE 17 ADDED	C.C.	NOV'11	B.C.	S.C.
8	NOTE 16 ADDED	A.T.	SEP'11	B.C.	S.C.
AMENDMENTS					



DES	-	POWER STANDARD DRAWING		
DRN	R. INNES	STRIPLE FUSE PILLAR FRONT OPENING SHEET 2 OF 2		
CKD	-			
APPD	F. ROBSON			
SCALE	NO SCALE			
ISSUED	APR'01	A3	DRAWING NUMBER	S02-02-03-08_2
ALL DIM.	IN mm			
DRAFTING STANDARD TO A.S.1100		CAD PRODUCT - DO NOT AMEND MANUALLY		

