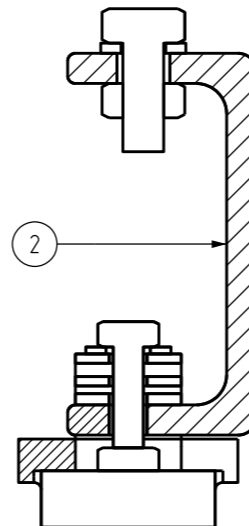


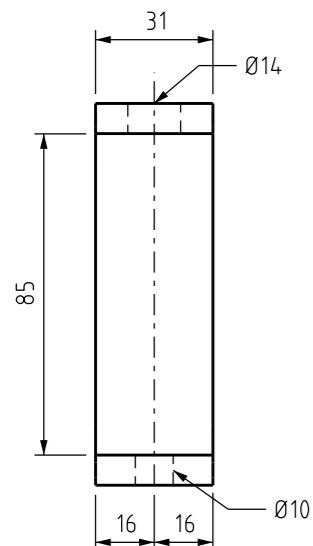
TOP VIEW

SCALE 1:2

1 x 14 DIA. HOLE
M12x40 GALV. STEEL BOLT
ITEM NUMBER: 503669
FOR ATTACHMENT TO CROSSARM

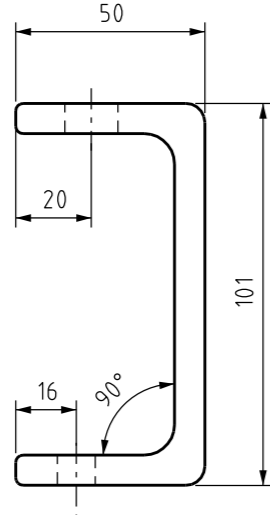


A SECTION
- DETAIL N.T.S



FRONT ELEVATION

SCALE 1:2



SIDE ELEVATION

SCALE 1:2

ITEM 2 BRACKET

FUSE TABLE

REFER TO S02-04-02-11

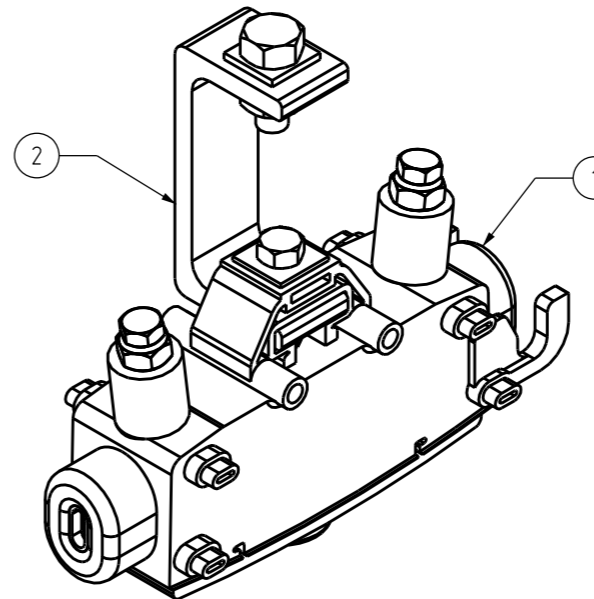
ITEM REF.	ITEM NUMBER	AMPERE RATING	DIMENSIONS	
			LENGTH	DIAMETER
4	500828	20A	57	22
5	500725	30A	57	22
6	501464	45A	57	22
7	10322	63A	57	22
8	10314	80A	57	22
9	216028	100A	57	22

3	SPARE FUSE HOLDER	241117	-
2	MOUNTING BRACKET, GALV. STEEL	406802	-
1	SERVICE FUSE BASE WITH FUSE HOLDER	241109	-
ITEM	DESCRIPTION	ITEM NUMBER	DWG NUMBER

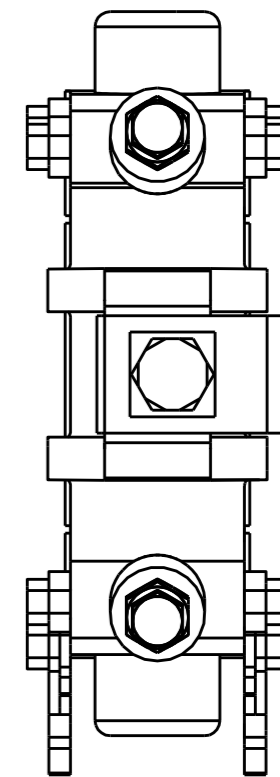
TABLE 1: MATERIAL SCHEDULE

NOTE:

FUSE BASE TO SUIT 22 x 57 FUSE.
LINKS TO BS 1361, UP TO 100A.

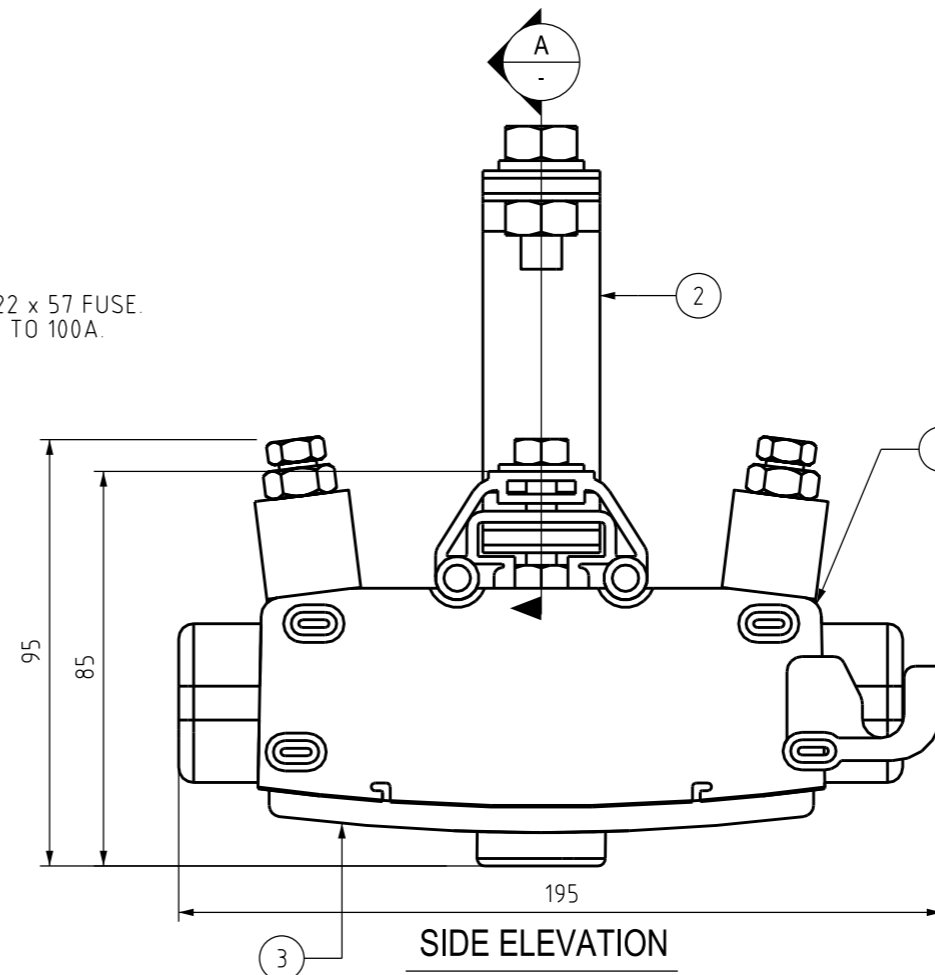


ITEM 1 SERVICE FUSE BASE WITH FUSE HOLDER



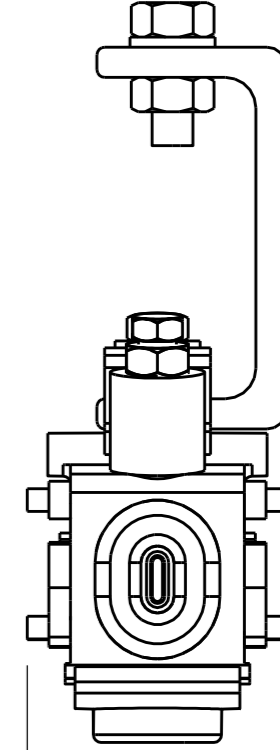
TOP VIEW

SCALE N.T.S



SIDE ELEVATION

SCALE N.T.S



FRONT ELEVATION

SCALE N.T.S

NO	DESCRIPTION	DRN	DATE	CKD	APPD
5	UPDATED TITLE FOR FUSE TABLE AND ADDED REFERENCE DRAWING, TAGGED ITEM 1, ADDED MATERIAL DESCRIPTION FOR MOUNTING BRACKET	R.A.	AUG'21	C.C.C.	B.V.
4	UPDATED PWC DWG FRAME & AMENDED STOCK CODE TO ITEM NUMBER	C.C.	MAR'19	B.V.	B.V.
3	ADDED FUSE TABLE	P.H.	APR'18	I.B.	B.C.
2	ITEM 2 AMENDED ITEM 3 ADDED	A.S.	APR'07	R.S.	S.C.
1	DIMENSIONS & DETAIL UPDATED ON ITEM 2	K.I.	SEP'06	RAJ	-
0	ISSUED FOR CONSTRUCTION	A.S.	JUN'06	RAJ	S.C.

AMENDMENTS



DES		POWER STANDARD DRAWING	
DES	C. CAMILLERI	LINE HARDWARE	
DRN	J. COPPINS	SERVICE FUSE	
CKD	C. CAMILLERI	100A SERVICE BASE	
APPD	-	A3	DRAWING NUMBER
SCALE	AS SHOWN		
ISSUED	JUNE 2006	CAD PRODUCT - DO NOT AMEND MANUALLY	
ALL DIM. IN mm		AMDT	
DRAFTING STANDARD TO A.S.1100			