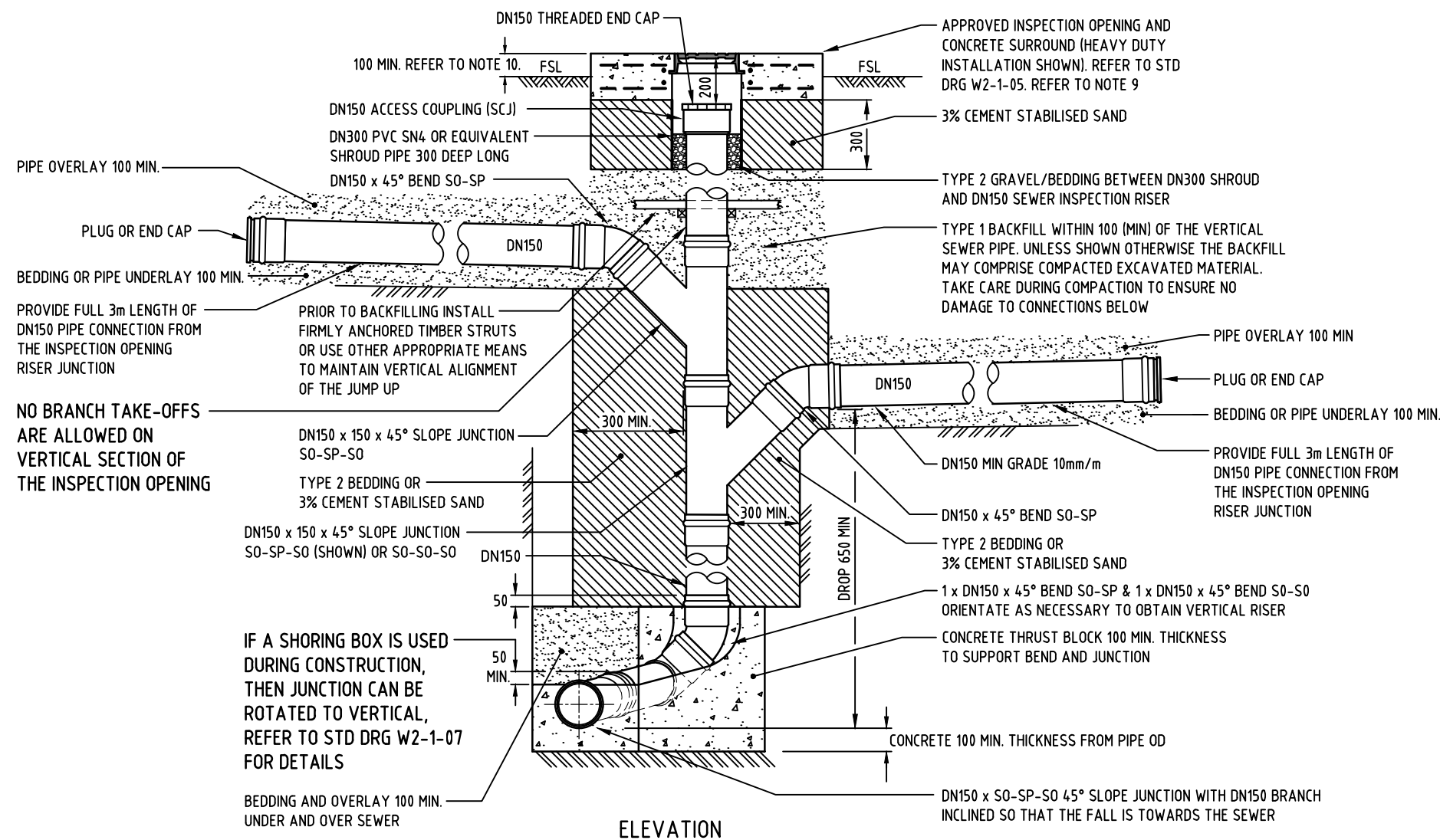
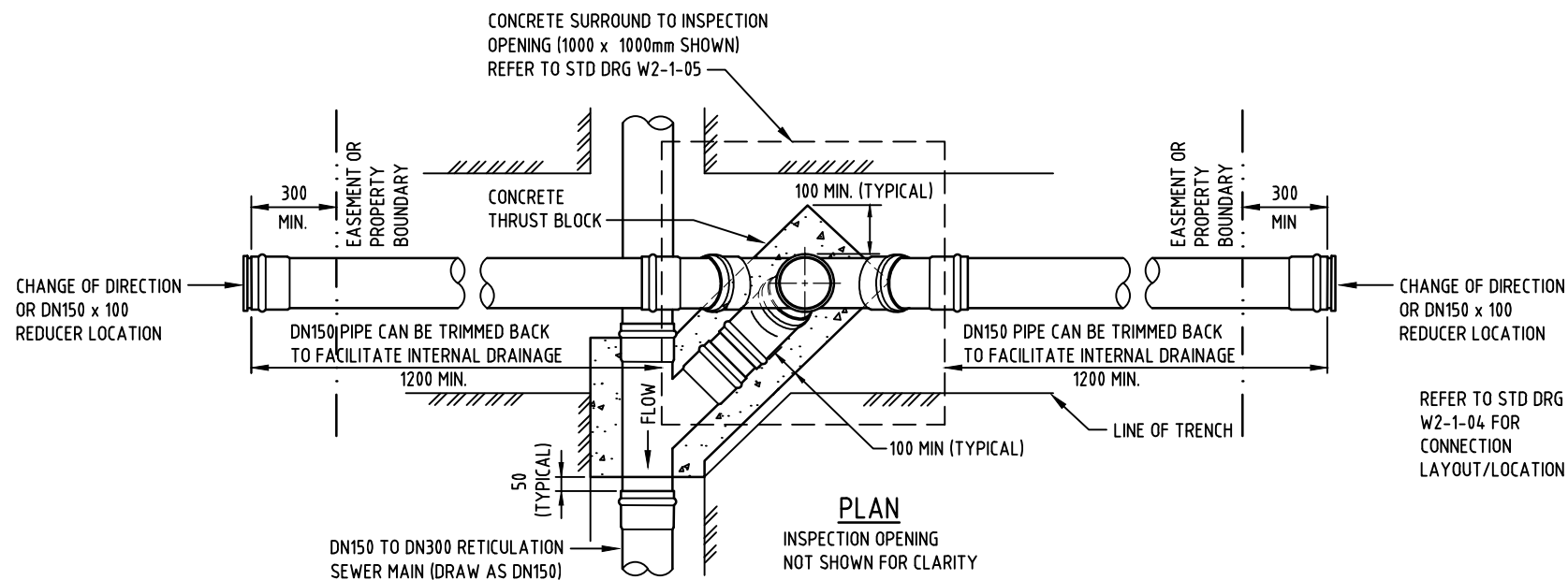


NOTES:

- THIS DRAWING DEPICTS THE SEWER AND SEWER CONNECTION CONSTRUCTED IN PVC. OTHER APPROVED PIPELINE MATERIALS ARE PERMITTED.
- THE CLASS OF ALL PIPES SHALL BE AS SPECIFIED ON THE PROJECT DESIGN PLANS / PROJECT SPECIFICATIONS.
- ELASTOMERIC SEALING RINGS FOR USE WITH PIPELINE MATERIALS COMPLYING WITH AUSTRALIAN STANDARDS SHALL COMPLY WITH AS 1646. ELASTOMERIC SEALING RINGS SHALL BE OF A MATERIAL TYPE APPROVED BY PWC.
- ALL PVC PIPES AND FITTINGS SHALL BE RUBBER RING JOINTED (RRJ) UNLESS SHOWN AS 'SCJ' (SOLVENT CEMENT JOINTED).
- PVC PIPE INSTALLATION SHALL BE IN ACCORDANCE WITH AS 2032. PIPE INSTALLATION SHALL COMPLY WITH THE PROJECT SPECIFICATION.
- CONCRETE SHALL COMPLY WITH AS 1379. THRUST BLOCK CONCRETE IS TO BE GRADE N25 (25MPa, 20mm MAX AGGREGATE) AND WHERE APPLICABLE SHALL BE POURED AGAINST UNDISTURBED GROUND. PROVIDE FELT OR APPROVED PLASTIC BOND BREAKER BETWEEN FITTING AND CONCRETE. ALL OTHER CONCRETE TO BE GRADE N32 (32MPa, 20mm MAX AGGREGATE).
- FOR PROPERTY CONNECTIONS LARGER THAN DN150 DETAILS SHALL BE SUBMITTED TO PWC FOR APPROVAL.
- WHERE THE RETICULATION SEWER MAIN IS DN300 OR WHERE THE RETICULATION SEWER MAIN IS IMMEDIATELY DOWNSTREAM OF AN ACCESS CHAMBER RECEIVING THE DISCHARGE FROM A PUMPING STATION OR A STEP (SEPTIC TANK EFFLUENT PUMPING) SYSTEM, A BOUNDARY TRAP SHALL BE INSTALLED BY THE PLUMBER AT THE TIME THAT THE INTERNAL DRAINAGE CONNECTION IS MADE, REFER TO AS/NZS 3500.
- INSTALL HEAVY DUTY INSPECTION OPENINGS IN ROAD OR FOOTPATH RESERVES OR WHERE SPECIFIED ON PROJECT DESIGN PLANS/SPECIFICATIONS.
- FINISH INSPECTION OPENINGS IN ROAD AND FOOTPATH RESERVES FLUSH WITH SURROUNDING SURFACE. INSPECTION OPENINGS IN OTHER AREAS TO BE FINISHED 50mm ABOVE FINISHED SURFACE LEVEL FOR LIGHT DUTY AND 100mm ABOVE FINISHED SURFACE LEVEL FOR HEAVY DUTY.
- ALL FITTINGS SHALL BE SINGLE MOULDED HEAVY DUTY REINFORCED FITTINGS.

TO BE USED ONLY FOR MODIFICATION OF EXISTING CONNECTION



8	GENERAL AMENDMENTS 2022.	P.W.	APR' 22	ILL.	D.C.
7	GENERAL AMENDMENTS 2018.	P.W.	SEPT' 18	ILL.	D.C.
6	'NOT PREFERRED' ADDED.	RGI	JUN' 10	R.J.	J.P.
5	JUNCTION TILTED D/2. NOTES AMENDED.	RGI	NOV' 08	R.J.	J.P.
4	THRUST BLOCK EXTENDED UNDER JUNCTION, TYPE 2 BEDDING AND GEOTEXTILE FABRIC REMOVED.	RGI	APR' 01	N MC	N MC
3	TYPE 2 BEDDING, GEOTEXTILE FABRIC, CEMENT STABILISED MATERIAL ADDED.	AG	AUG' 00	PS	N MC
2	REDRAWN AND NOTES ADDED.	RGI	JUN' 96	CSP/NWM	CHY
NO	DESCRIPTION	DRN	DATE	CKD	APPD
AMENDMENTS					



DES	C.PASCOE	SEWERAGE STANDARD DRAWING		
DRN	R.INNES	CONNECTIONS		
CHK	N.McCARTHY	TYPE 3 SEWER CONNECTIONS		
APPD	H.YAU	DN150		
SCALE	N.T.S.	A3	DRAWING NUMBER	W2-1-03
ISSUED	JUN' 96			
ALL DIM. IN mm				8
DRAFTING STANDARD TO A.S.1100		CAD PRODUCT - DO NOT AMEND MANUALLY		
		AMDT		