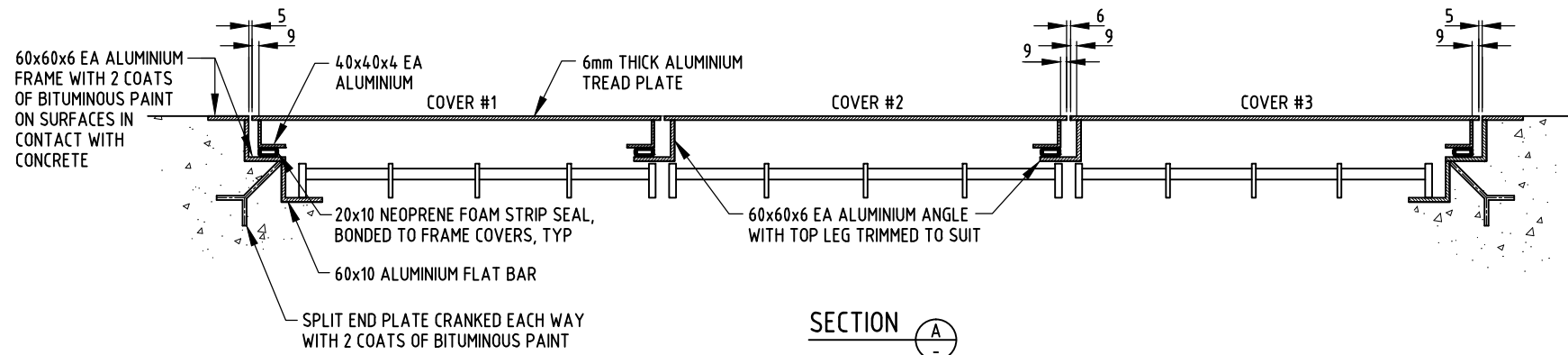
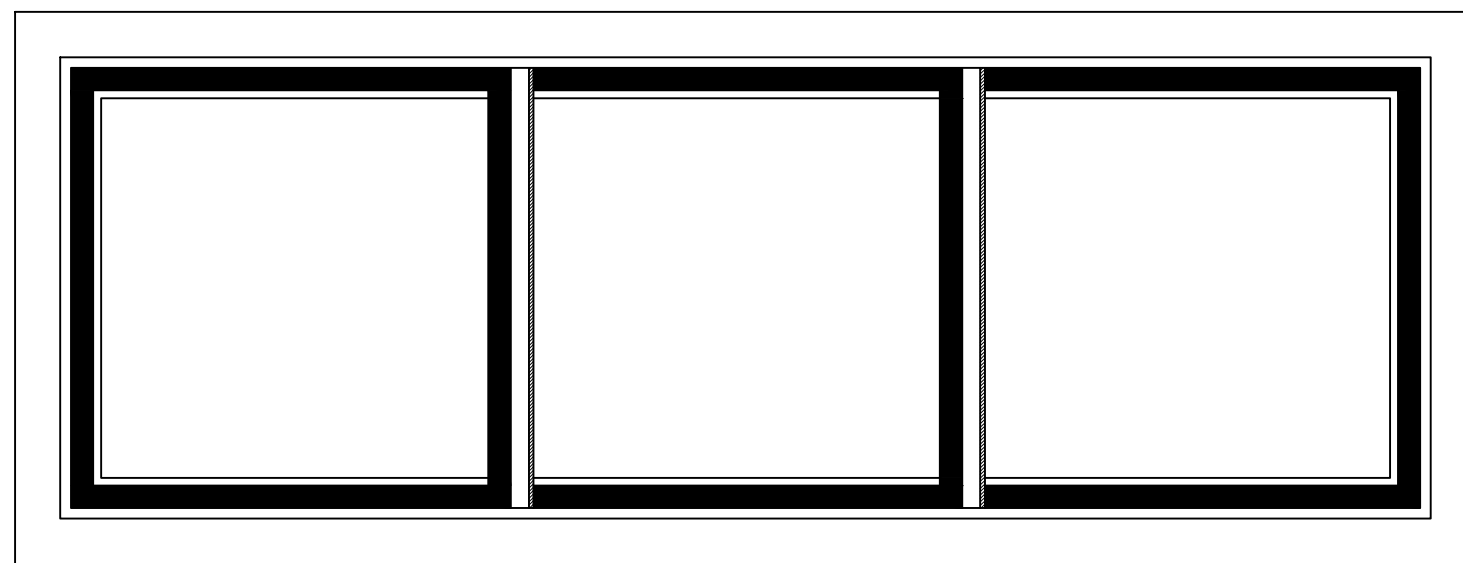


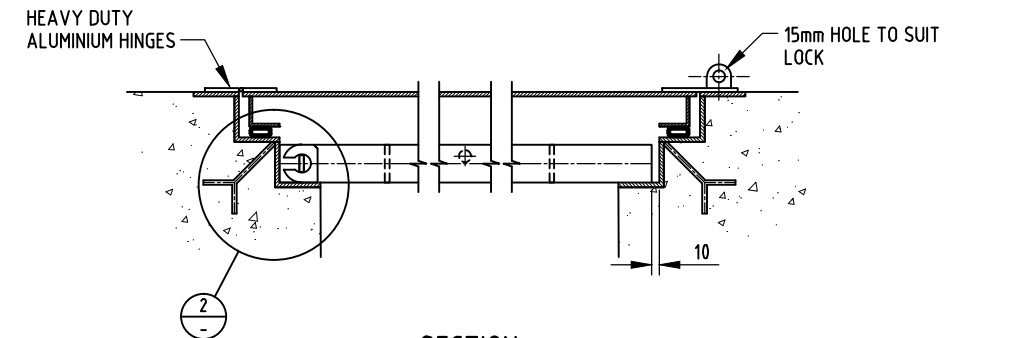
PLAN



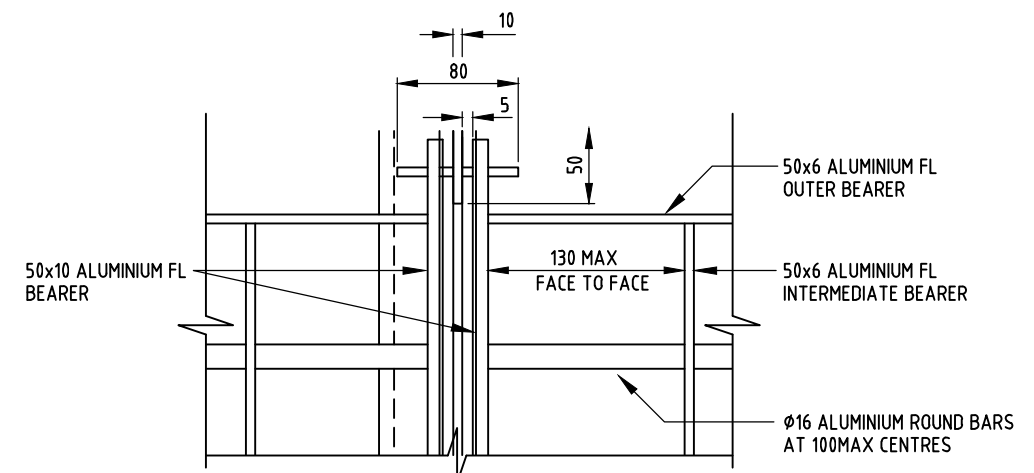
SECTION A-A



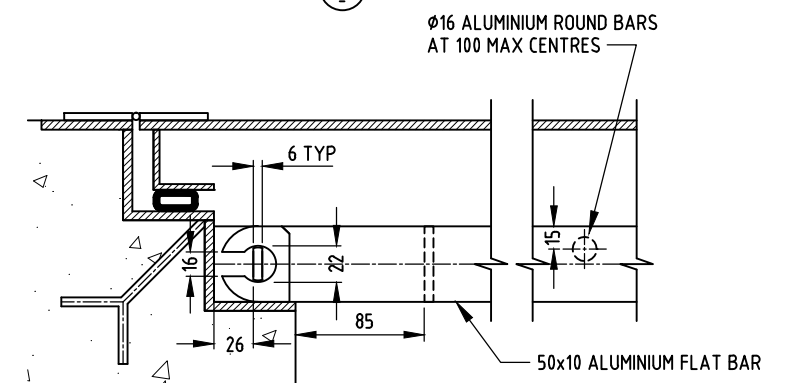
NEOPRENE FOAM SEAL DETAIL



SECTION B-B



DETAIL 1



DETAIL 2

NOTES:

1. ALL DIMENSIONS ARE IN MILLIMETERS UNLESS STATED OTHERWISE.
2. THE COVER AND FRAME IS TO BE ALUMINIUM.
3. ALL WELDS TO AS/NZS 1665.
4. ANGLE FRAME 6060 GRADE.
5. MARINE CHECK PLATE 5052 GRADE (AS 1734).
6. DESIGN AND FABRICATE TO AS 1665.

2	GENERAL AMENDMENTS 2021.	PW	AUG'21	JR	DC
1	ISSUED FOR INFORMATION	AW	JULY'20	JR	DC
NO	DESCRIPTION	DRN	DATE	CKD	APPD
	AMENDMENTS				



DES	JR	WATER STANDARD DRAWING	
DRN	AW	MAINLAYING	
CHK	JR	ALUMINIUM COVER DETAILS FOR	
APPD	DC	VALVE PITS	
SCALE	N.T.S.	A3	DRAWING NUMBER
ISSUED	JULY 2020		W1-2-11
ALL DIM. IN mm			
DRAFTING STANDARD TO A.S.1100		CAD PRODUCT - DO NOT AMEND MANUALLY	