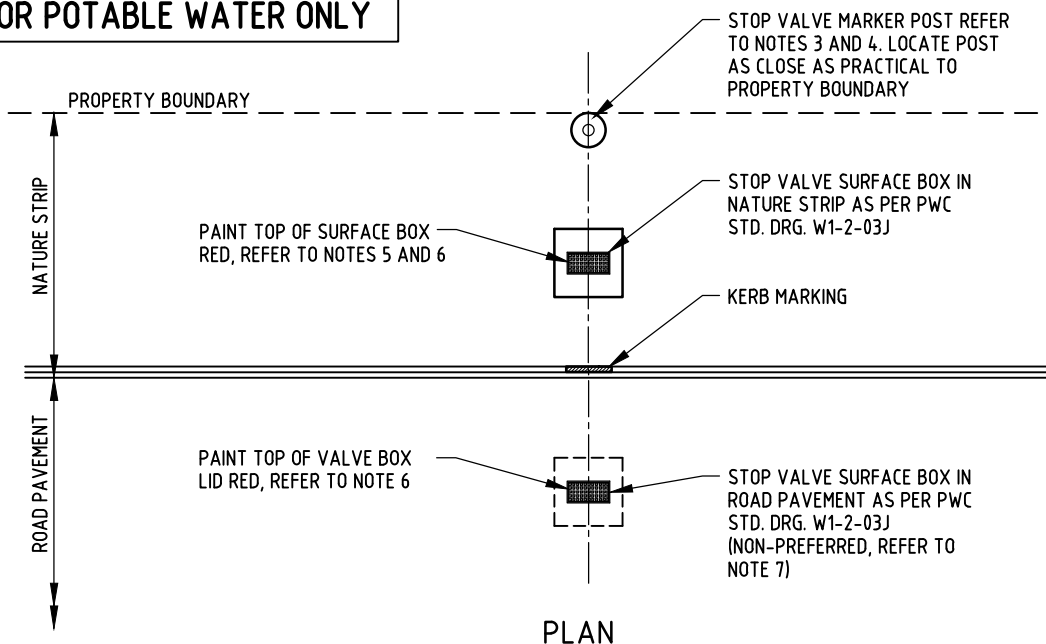


FOR POTABLE WATER ONLY



PLAN

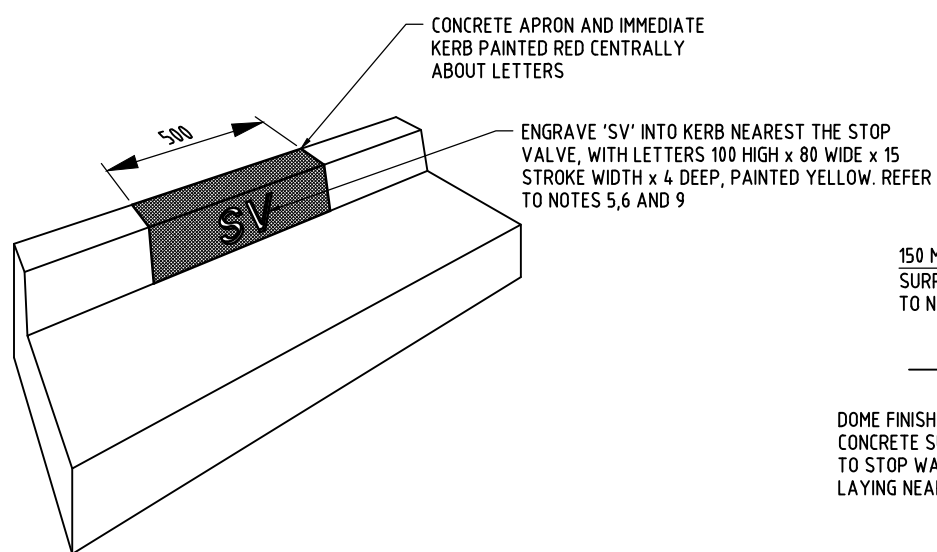
**PLACEMENT OF MARKERS
(NOT FOR ABORIGINAL COMMUNITIES)**

NOTES

1. ALL DIMENSIONS ARE IN MILLIMETRES UNLESS NOTED OTHERWISE.
2. FOR ABORIGINAL COMMUNITIES ONLY USE THE CONCRETE MAKER.
3. USE MARKER POSTS FOR LOCATING STOP VALVES ONLY WHERE THERE IS NO KERB FOR MARKING OR WHERE DIRECTED WHEN THE VALVE IS NOT EASILY LOCATED FROM THE KERB MARKING.
4. FACE THE MARKER POST LABEL TOWARDS THE STOP VALVE.
5. CURE CONCRETE KERBING AND SURROUND FOR AT LEAST 28 DAYS BEFORE APPLYING PAINT.
6. APPLY AT LEAST THREE COATS OF PAINT IN ACCORDANCE WITH THE MANUFACTURER'S WRITTEN INSTRUCTIONS. DO NOT PAINT THE SURFACE BOX CONCRETE SURROUND WHERE INTEGRAL WITH A CONCRETE FOOTPATH.
7. LOCATION OF STOP VALVES IN ROADWAYS IS ONLY PERMITTED WITH EXPRESS APPROVAL OF POWER AND WATER CORPORATION.
8. CONCRETE FOR THRUST AND ANCHOR BLOCKS & GENERAL CONCRETING SHALL BE CLASS N25 IN ACCORDANCE WITH AS.1379 AND AS.3600.

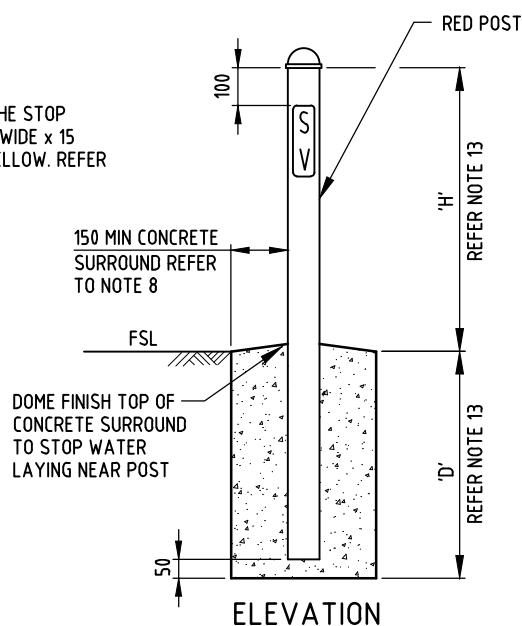
9. ENGRAVE OR SCORE MARKING TO SURFACE OF CONCRETE MARKER TO INDICATE DIRECTION AND NOMINAL DIAMETER OF WATER MAIN. MARKING TO BE 100MIN LONG x 5 MIN WIDE x 5 MIN DEEP. NUMERALS TO BE 100 MIN HIGH x 80 MIN WIDE x 10 MIN STROKE WIDTH x 5 MIN DEEP.
10. DEPTH OF STOP VALVE CONCRETE MARKER SHALL SUIT CAST IRON VALVE SURFACE BOX BUT SHALL BE NO LESS THAN 150.
11. REFER TO STANDARD DRAWING NUMBER W1-2-03J FOR ORIENTATION OF STOP VALVE SURFACE BOX.
12. USE ONLY THOSE MANUFACTURER'S PRODUCTS SHOWN APPROVED IN THE WATER AND SEWAGE INFRASTRUCTURE PRODUCTS MANUAL.
13. ADOPT MARKER POST HEIGHT ABOVE SURFACE LEVEL ('H') AND DEPTH BELOW SURFACE LEVEL ('D') AS SHOWN BELOW UNLESS OTHERWISE SPECIFIED OR DIRECTED:

	'H'	'D'
FREQUENT PEDESTRIAN TRAFFIC OR WELL MAINTAINED VERGE	500	300
ANY AREA WITH POORLY MAINTAINED VERGE POST LIKELY TO BE OBTSCURED BY OVERGROWN GRASS	1200	600



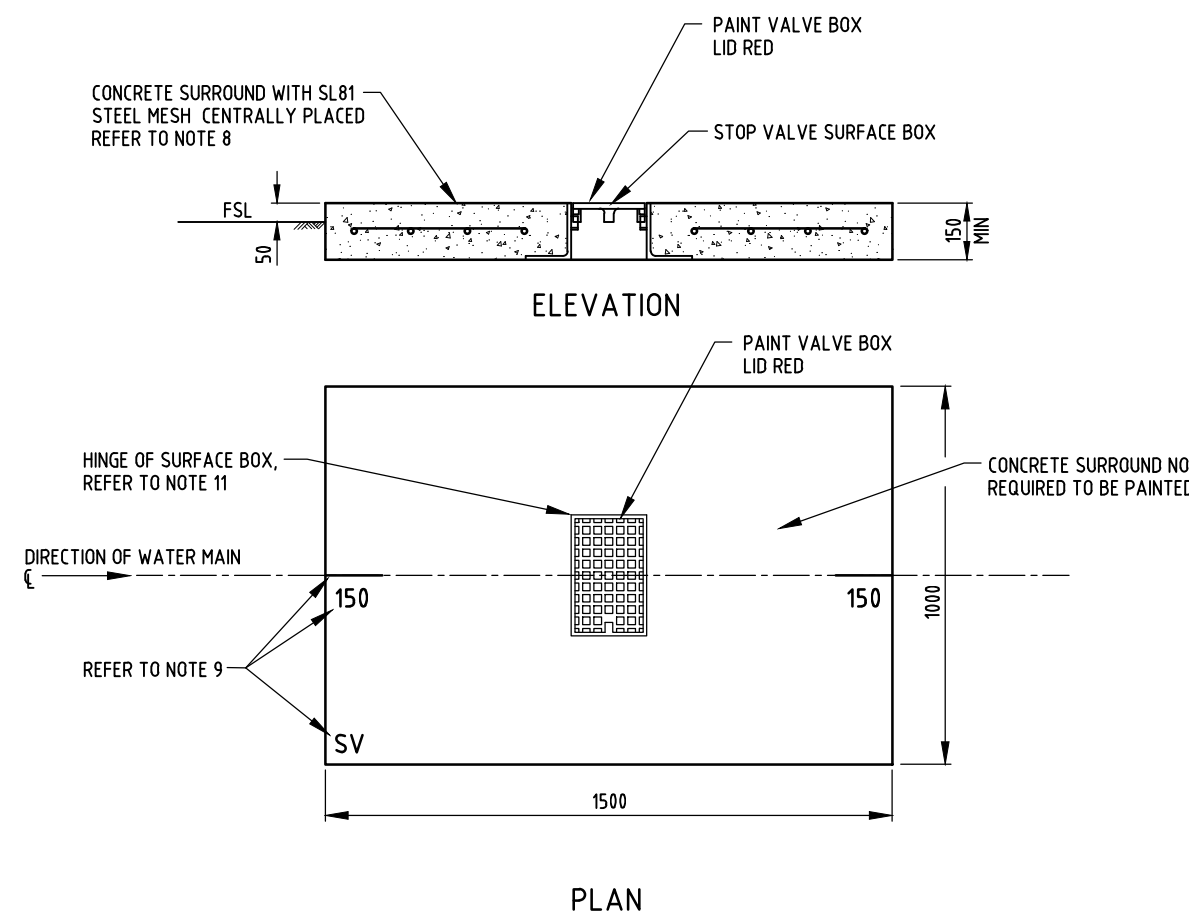
PERSPECTIVE

**KERB MARKING
(NOT FOR ABORIGINAL COMMUNITIES)**



ELEVATION

**MARKER POST
(NOT FOR ABORIGINAL COMMUNITIES)**



ELEVATION

PLAN

**CONCRETE MARKER
(FOR ABORIGINAL COMMUNITIES)**

NO	DESCRIPTION	DRN	DATE	CKD	APPD
3	GENERAL AMENDMENTS 2021.	PW	JUNE'21	JR	DC
2	REDRAWN IN AUTOCAD.	AW	OCT'18	JR	DC
1	TEXT REFERENCES, NOTE 7 & 8 CHANGED. NOTE 11 ADDED.	RGI	MAY'03	MCH	NWM
AMENDMENTS					



DES	IW	WATER STANDARD DRAWING		
DRN	RGI	MAINLAYING		
CHK	IW	STOP (ISOLATING) VALVES		
APPD	NWM	LOCATION MARKING		
SCALE	N.T.S.	A3	DRAWING NUMBER	W1-2-03D
ISSUED	MAY'01			
ALL DIM. IN mm				3
DRAFTING STANDARD TO A.S.1100		CAD PRODUCT - DO NOT AMEND MANUALLY		
				AMDT