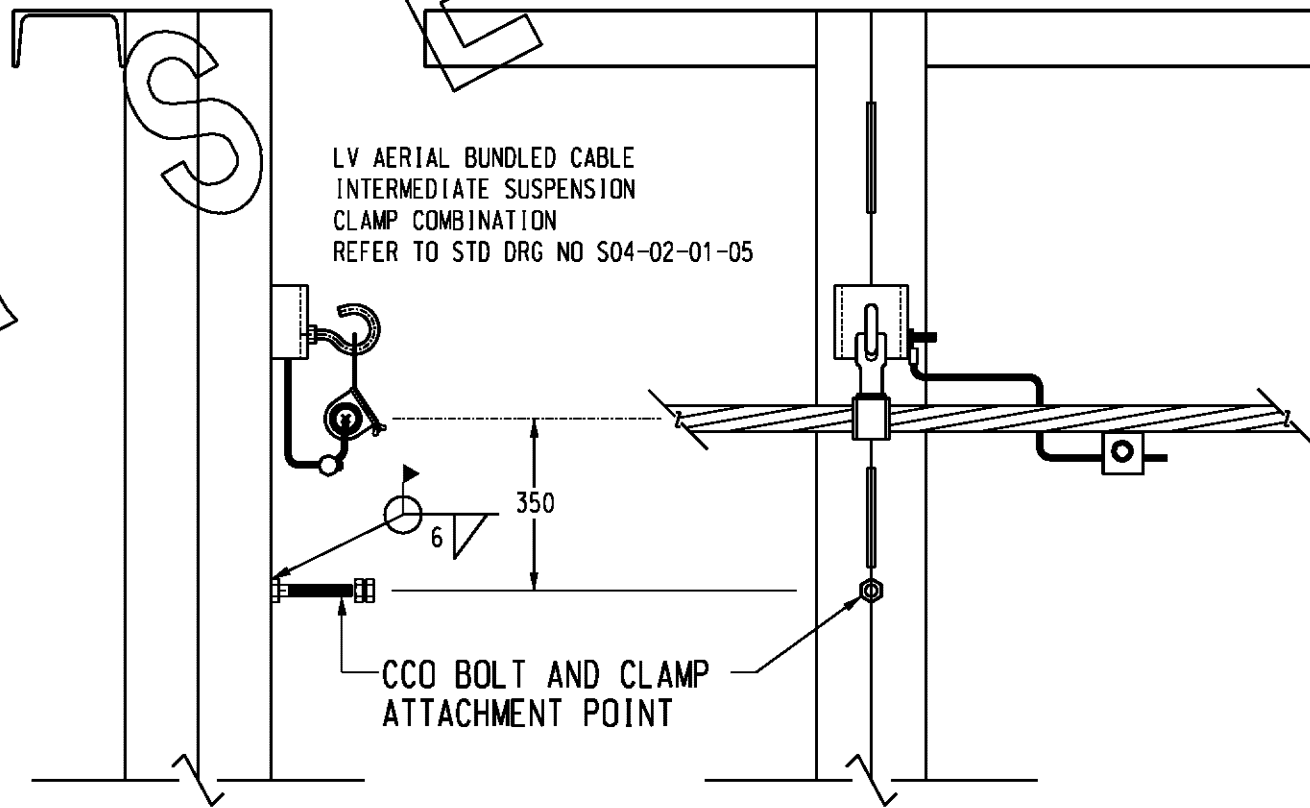
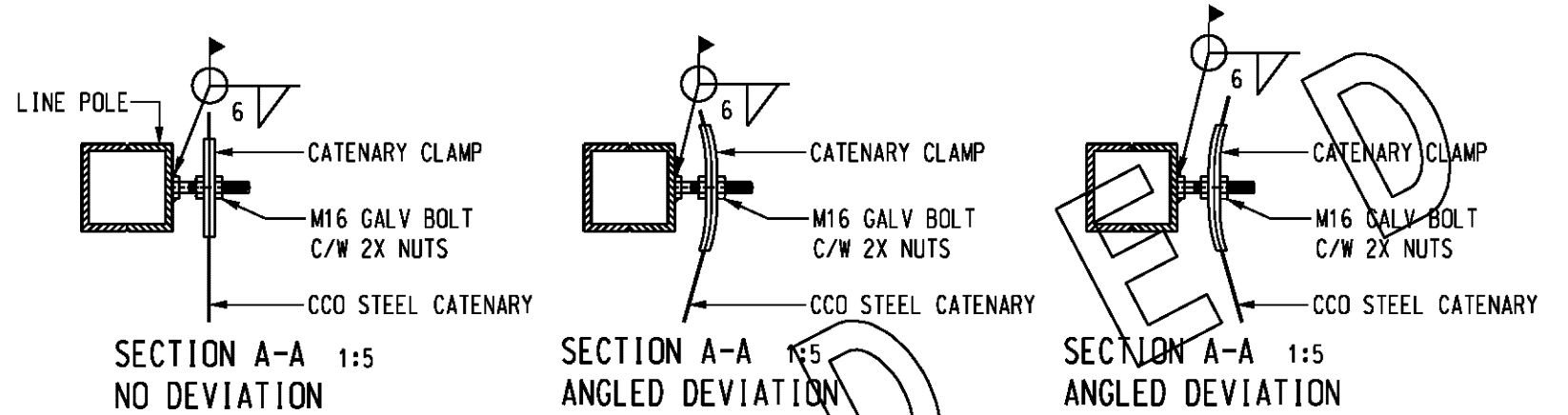


TYPICAL LV LINE POLE, CCO ATTACHMENT CLEARANCES (REFER NOTE 1)
1:25



TYPICAL ABC - CCO ATTACHMENT POSITIONS
1:10

NOTES:

1. CCO CABLE OR EQUIPMENT ARE NOT TO BE ATTACHED TO DOUBLE POLE SUBSTATIONS, STREET LIGHT COLUMNS OR WHERE CLEARANCES CANNOT BE MAINTAINED.
2. CCO CABLE OR EQUIPMENT CANNOT BE ATTACHED TO HV TERMINATION ROLES WITHOUT PRIOR APPROVAL OF PAWA
3. CCO POWER SUPPLIES OR AMPLIFIERS ARE NOT TO BE ATTACHED TO AIR BREAK SWITCH, TRANSFORMER OR TEE-OFF POLES.
4. ALL POLES WITH CCO ATTACHMENTS ARE TO BE EARTHED VIA CCO CABLE BOLT AND CLAMP.
5. THESE DRAWINGS HAVE BEEN GENERALLY PREPARED TO COMPLY WITH CONTRACT CONDITIONS. UNDOCUMENTED POLE ARRANGEMENTS SHALL BE DEVELOPED IN ACCORDANCE WITH THE CONTRACT. (REFER STANDARDS MANAGER POWER)
6. 300mm MINIMUM CLEARANCE IS REQUIRED BETWEEN THE SERVICE ARM AND THE CCO BOLT AND CLAMP ATTACHMENT POINT. WHEN NON-INSULATED OR BARE CABLES AND FITTINGS ARE ATTACHED TO THE SERVICE CROSSARM OR POLE AND WORK IS TO BE PERFORMED AT OR NEAR THE CCO BOLT/CLAMP ATTACHMENT POINT, PAWA IS TO BE CONTACTED TO 'MAT UP' ALL LIVE COMPONENTS WITH 600mm OF THE WORK LOCATION.

NO	DESCRIPTION	DRN	DATE	CKD	APPD
3	SUPERSEDED	A.T	DEC'12	B.C.	B.C
2	TEXT 'CETV' CHANGED TO 'CCO'. NOTE 2 ADDED.	RGI	FEB'97	MWB	FRR
1	NOTE 5 RE SAFETY CLEARANCES ADDED.	RGI	10/96	MWB	PJD
AMENDMENTS					



DES	M. BOCK	POWER STANDARD DRAWING	
DRN	R. INNES	CCO (COMMUNICATIONS CABLE OWNER) ATTACHMENT POSITIONS LV OPEN WIRE AND ABC LV	
CKD	M. BOCK		
APPD	P. DEWAR		
SCALE	AS SHOWN	A3	DRAWING NUMBER S01-02-02-24
ISSUED	06/09/96		
ALL DIM.	IN mm		
DRAFTING STANDARD TO A.S.1100		CAD PRODUCT - DO NOT AMEND MANUALLY	

