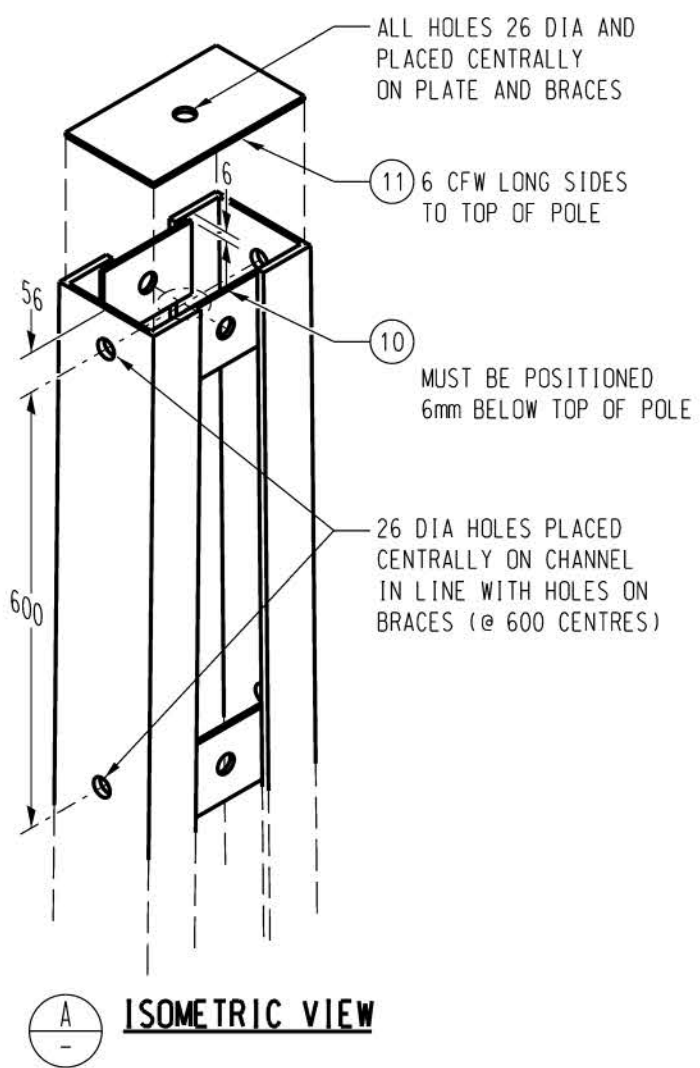
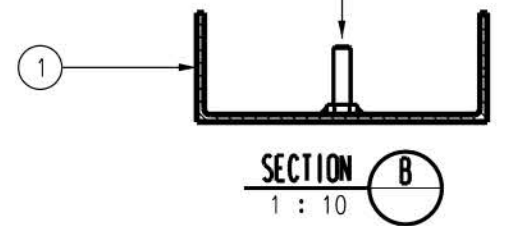


DRILL 14 DIA HOLE APPROX 50mm BELOW TOP OF GROUND BRACE FOR POLE EARTHING

**LINE POLE 15.00 - ITEM NUMBER : 401342**  
SCALE 1:50



**NOTES:**

1. TOP PLATE AND BASE PLATE DO NOT FORM PART OF THE OVERALL DIMENSION.
2. BRACES AND GROUND PLATE TO BE WELDED ON INSIDE OF POLE AND TO HAVE 17mm MIN OVERLAP. ANTI-CLIMBING PLATE TO BE WELDED ON OUTSIDE OF POLE.
3. ALL WELDS TO BE 6mm FILLET CONTINUOUS WELD EXCEPT ANTI-CLIMBING PLATE WHICH IS TO HAVE 6mm FILLET 150mm LONG AT BOTH ENDS AND CENTRE.
4. ALL ROUGH OR BURRED EDGES ARE TO BE DRESSED CLEAN.
5. STEEL TO BE GRADE 300 PLUS, REFER TO BHP 1999 HOT ROLLED STRUCTURAL STEEL PRODUCTS.
6. PFC DIMENSIONS ARE TO AS 3679.
7. WELDING TO COMPLY WITH AS 1554.
8. TOLERANCES TO DIMENSIONS OVER 5m IS +/- 5mm.
9. EACH POLE IS TO BE ENGRAVED WITH THE SIZE, TARE WEIGHT, FABRICATORS NAME, AND MONTH AND YEAR OF FABRICATION.
10. ENGRAVING SHALL BE IN LETTERS NO LESS THAN 10mm HIGH AND 0.05mm DEEP AND POSITIONED ON THE FIRST GUSSET PLATE ABOVE GROUND LEVEL.

ITEM	QTY	DESCRIPTION	ITEM NUMBER
12	3	M12 x 40 GALVANISED BOLT	.....
11	1	280 x 238 x 10 FMS, TOP PLATE	.....
10	2	220 x 100 x 10 FMS, BRACES, 26 DIA HOLE	.....
9	6	220 x 200 x 10 FMS, BRACES, 26 DIA HOLE	.....
8	8	260 x 200 x 10 FMS, BRACES, 26 DIA HOLE	.....
7	12	330 x 200 x 10 FMS, MID BRACES	.....
6	2	350 x 1400 x 6 FMS, ANTI-CLIMBING PLATE	.....
5	6	450 x 200 x 10 FMS, BRACE UNDER A/CL PLATE	.....
4	2	450 x 500 x 10 FMS, GROUND PLATE	.....
3	8	450 x 200 x 10 FMS, FOOTING BRACES	.....
2	1	605 x 100 x 10 FMS, BASE PLATE	.....
1	2	250 x 90 PFC, 15656 LONG	.....

NO	DESCRIPTION	DRN	DATE	CKD	APPD
3	TITLE UPDATED	H.E.	JAN'20	H.E.	B.C.
2	TITLEBLOCK & DRAWING NUMBER FORMATTED, ITEM NUMBER ADDED	K.T.	DEC'18	C.C.	C.C.
1	13K HOLES FOR PADLOCK ADDED	K.I.	OCT'05	C.C.	C.C.
0	ISSUED FOR CONSTRUCTION	A.S.	7.12.03	...	...



DES	M. BOCK	POWER STANDARD DRAWING	
DRN	R. INNES	POLES LINE 15.00 BOLTED CONNECTIONS TYPE	
CKD	M. BOCK		
APPD	.....	A3	DRAWING NUMBER S01-01-01-23
SCALE	1:50		
ISSUED	DEC '03	CAD PRODUCT - DO NOT AMEND MANUALLY	
ALL DIM. IN mm			
DRAFTING STANDARD TO A.S.1100		AMDT 3	