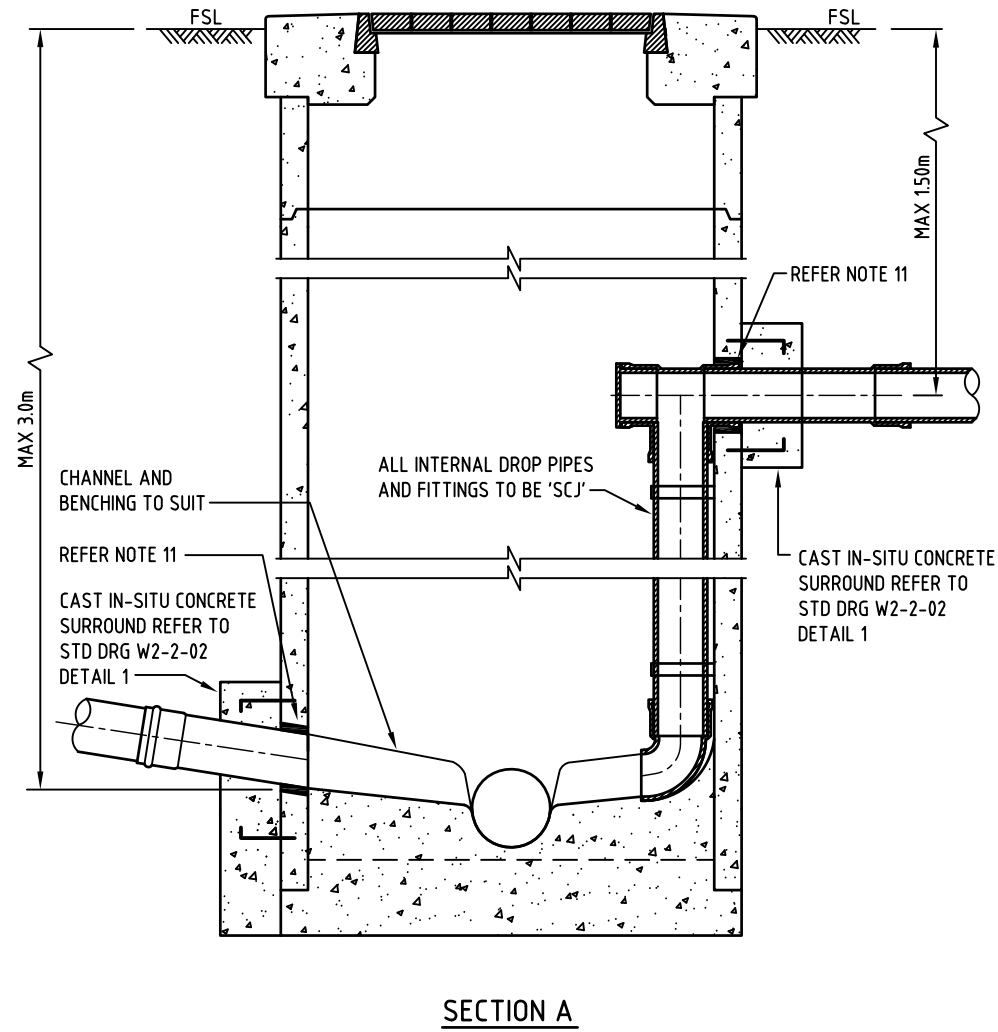
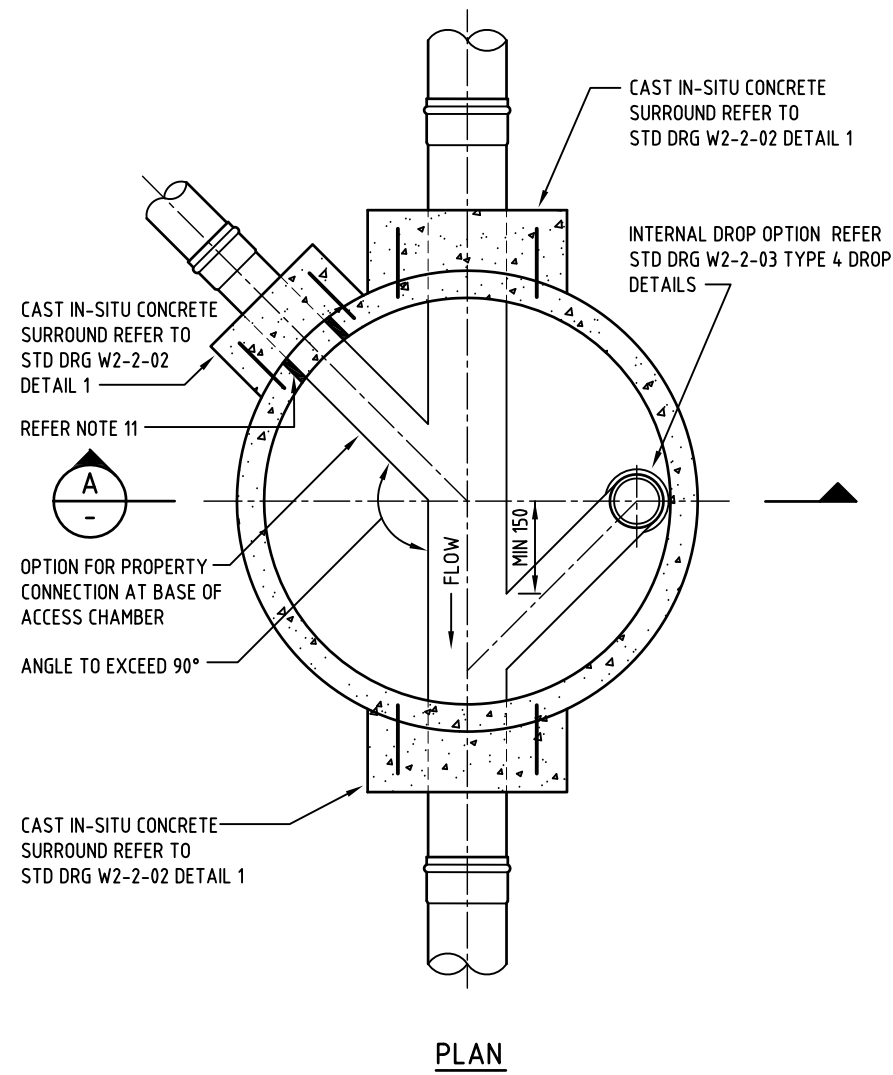


NOTES:

1. THIS DRAWING DEPICTS THE SEWER AND SEWER CONNECTION CONSTRUCTED IN PVC. OTHER APPROVED PIPELINE MATERIALS ARE PERMITTED.
2. THE CLASS OF ALL PIPES SHALL BE AS SPECIFIED ON THE PROJECT DESIGN PLANS / PROJECT SPECIFICATIONS.
3. ELASTOMERIC SEALING RINGS FOR USE WITH PIPELINE MATERIALS COMPLYING WITH AUSTRALIAN STANDARDS SHALL COMPLY WITH AS 1646. ELASTOMERIC SEALING RINGS SHALL BE OF A MATERIAL TYPE APPROVED BY PWC.
4. ALL PVC PIPES AND FITTINGS SHALL BE RUBBER RING JOINTED (RRJ) UNLESS SHOWN AS 'SCJ' (SOLVENT CEMENT JOINTED).
5. PVC PIPE INSTALLATION SHALL BE IN ACCORDANCE WITH AS 2032. PIPE INSTALLATION SHALL COMPLY WITH THE PROJECT SPECIFICATION.
6. FOR SEWER CONNECTIONS LARGER THAN DN150 DETAILS SHALL BE SUBMITTED TO PWC FOR APPROVAL.
7. WHERE THE RETICULATION SEWER MAIN IS DN300 OR WHERE THE RETICULATION SEWER MAIN IS IMMEDIATELY DOWNSTREAM OF AN ACCESS CHAMBER RECEIVING THE DISCHARGE FROM A PUMPING STATION OR A STEP (SEPTIC TANK EFFLUENT PUMPING) SYSTEM, AN APPROVED BOUNDARY TRAP SHALL BE INSTALLED BY THE PLUMBER AT THE TIME THAT THE INTERNAL DRAINAGE CONNECTION IS MADE.
8. PROPERTY CONNECTION SEWER SHOULD CROSS PROPERTY BOUNDARY AT 90°.
9. INSPECTION OPENING ON PROPERTY IS OPTIONAL WHERE CONNECTION TO ACCESS CHAMBER IS USED.
10. MAXIMUM OF TWO PROPERTY CONNECTIONS TO ANY ACCESS CHAMBER. CAN BE TWO CONNECTION AT BASE OF CHAMBER OR TWO INTERNAL DROPS OR ONE OF EACH.
11. FILL JOINT WITH EPOXY.



1	NEW DRAWING 2018.	P.W.	SEPT' 18	LL	D.C.
NO	DESCRIPTION	DRN	DATE	CKD	APPD
AMENDMENTS					



DES	R.J.	SEWERAGE STANDARD DRAWING			
DRN	P.W.	CONNECTIONS			
CHK	LL	ACCESS CHAMBER CONNECTION			
APPD	D.C.	DN150 - DN225			
SCALE	N.T.S.	A3	DRAWING NUMBER	W2-1-11	1
ISSUED	SEPT' 18				
ALL DIM. IN mm		CAD PRODUCT - DO NOT AMEND MANUALLY			AMDT