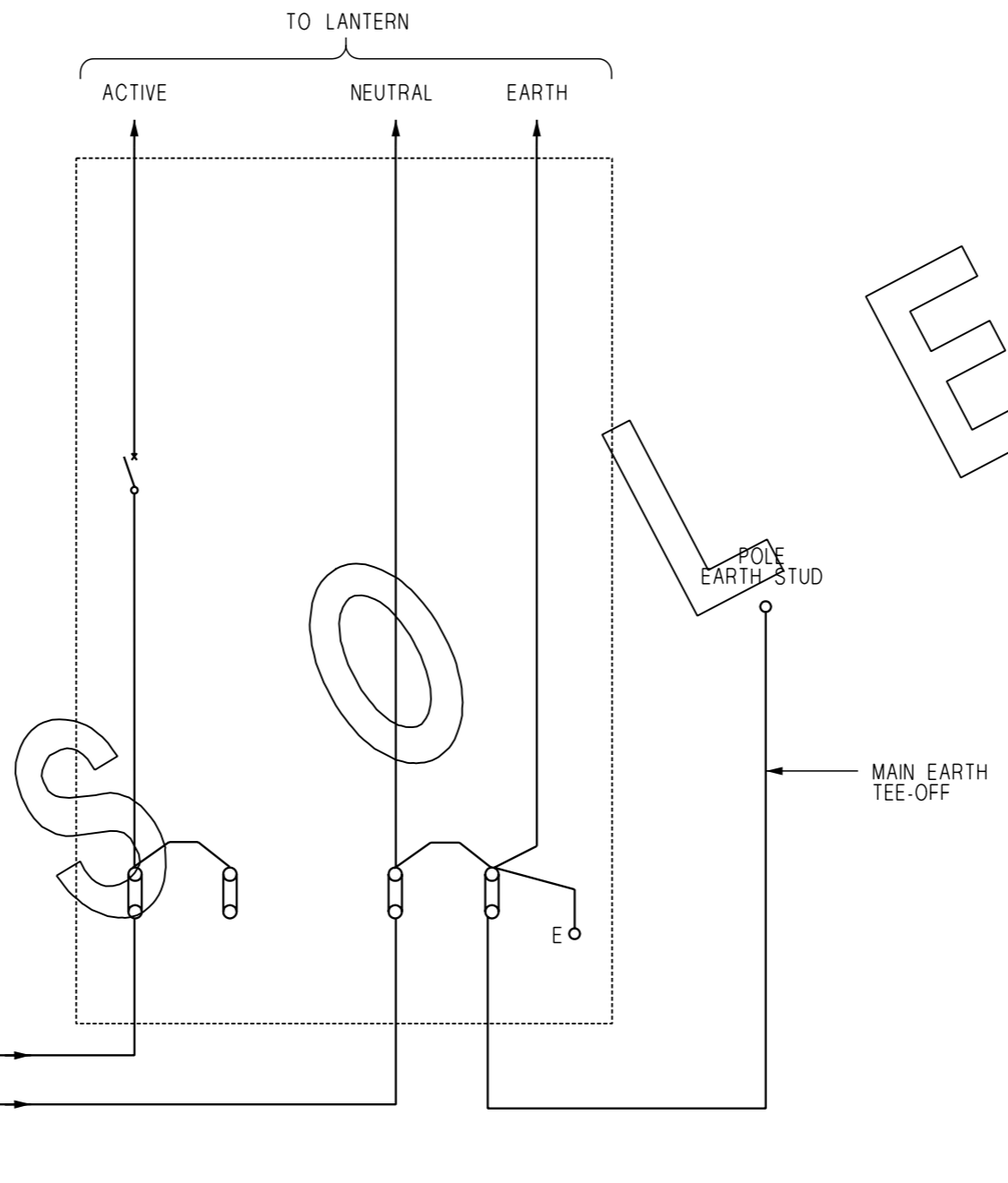


WIRING DIAGRAM



SCHEMATIC WIRING DIAGRAM

T E E

**CABLE SIZES**

- INCOMING & OUTGOING - 25sq.mm
- LANTERN CABLE - 4sq.mm TWIN/ECC
- EARTH CABLE TO LANTERN - 2.5sq.mm GREEN/YELLOW
- EARTH CABLE TO PANEL - 6sq.mm GREEN/YELLOW
- EARTH CABLE TO POLE - 25sq.mm

**NOTE**

POLARITY OF NEUTRAL/EARTH BOND TO BE CHECKED DURING COMMISSIONING AND AFTER MAINTENANCE.

NOT TO BE USED ON ANY NEW INSTALLATIONS

TO BE READ IN CONJUNCTION WITH DRAWING No.S03-01-05-12 GENERAL ARRANGEMENT

1	DWG MADE OBSOLETE, NOTE ADDED	MAR'05				
NO	DESCRIPTION	DRN	DATE	CKD	APPD	
AMENDMENTS						



DES	A.T.	POWER STANDARD DRAWING				
DRN	gmck	<b>CONTROL DATA</b> <b>SWITCH PACK - URD</b> <b>WIRING DIAGRAM</b>				
CKD	N.F.S.					
APPD	B.T.Kent					
SCALE	n.t.s.					
ISSUED	NOV'92	A3	DRAWING NUMBER	S03-01-05-13		
ALL DIM.	IN mm					
DRAFTING STANDARD TO A.S.1100			CAD PRODUCT — DO NOT AMEND MANUALLY		AMD T	