

PHYSICAL SPECIFICATION

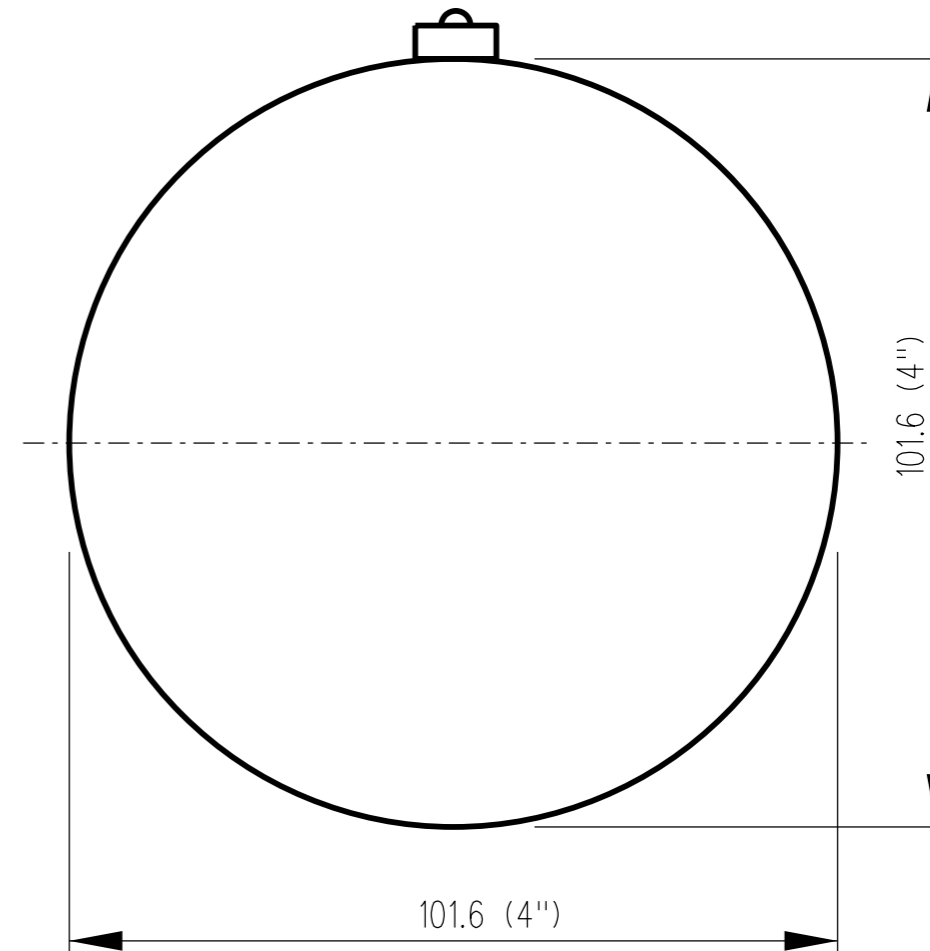
	DESCRIPTION
SIZE	4" OR 101.6 Diameter Sphere
WEIGHT	NET 0.7587 lb (0.35kg) each. Shipping 24lbs (10.5kg/carton)
PACKAGING	30 Markers/Carton
RANGE	5ft (1.5m) from locator probe
SHELL	High-density polyethylene
COLOUR	RED

ENVIRONMENTAL SPECIFICATIONS

OPERATING TEMP	-22° TO 150°F (-30° TO 66°C)
STORAGE TEMP	-40° to 167°F (-40° to 75°C)

NOTES:

TO BE BURIED AT ALL CABLE JOINT LOCATIONS.



ITEM NUMBER: 402365

NO	DESCRIPTION	DRN	DATE	CKD	APPD
1	UPDATE TITLEBLOCK & PAD DRAWING NOS	C.C.C.	OCT 19	M.Sc.	C.C.C.
0	ISSUED FOR APPROVAL	K.I.	FEB 05	C.C.	
AMENDMENTS					



DES	J.D.	POWER STANDARD DRAWING			
DRN	K.I.	SIGNS ELECTRONIC MARKER UNDERGROUND			
CKD	C.C.				
APPD	...				
SCALE	1:1				
ISSUED	FEB '05	A3	DRAWING NUMBER	S02-01-08-23	
ALL DIM. IN	mm			CAD PRODUCT - DO NOT AMEND MANUALLY	
DRAFTING STANDARD TO A.S.1100					AMDT