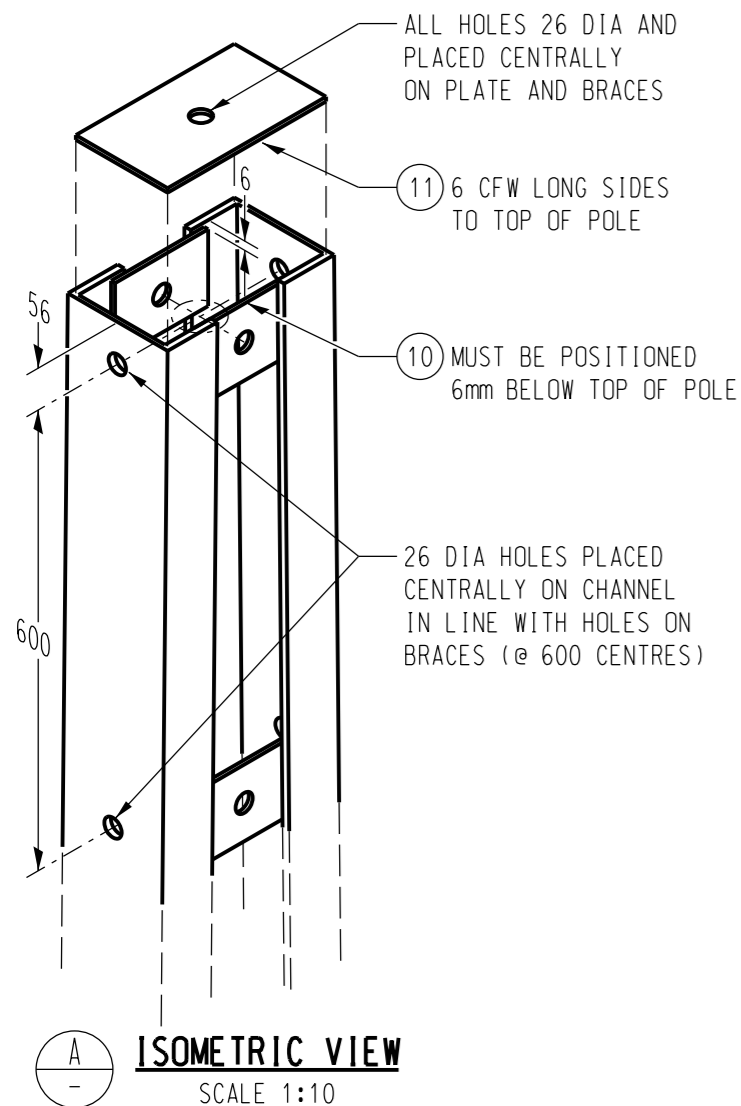
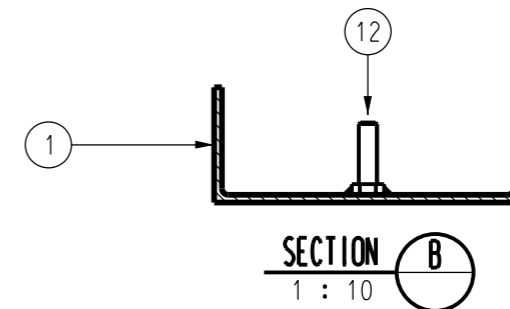


DRILL 14 DIA HOLE APPROX 50mm BELOW TOP OF GROUND BRACE FOR POLE EARTHING

LINE POLE 15.0B - ITEM NUMBER : 401336
LINE POLE 15.0C - ITEM NUMBER : 401339

SCALE 1:50



NOTES:

1. TOP PLATE AND BASE PLATE DO NOT FORM PART OF THE OVERALL DIMENSION.
2. BRACES AND GROUND PLATE TO BE WELDED ON INSIDE OF POLE AND TO HAVE 21mm MIN OVERLAP. ANTI-CLIMBING PLATE TO BE WELDED ON OUTSIDE OF POLE.
3. ALL WELDS TO BE 6mm FILLET CONTINUOUS WELD EXCEPT ANTI-CLIMBING PLATE WHICH IS TO HAVE 6mm FILLET 150mm LONG AT BOTH ENDS AND CENTRE.
4. ALL ROUGH OR BURRED EDGES ARE TO BE DRESSED CLEAN.
5. STEEL TO BE GRADE 300 PLUS, REFER TO BHP 1999 HOT ROLLED STRUCTURAL STEEL PRODUCTS.
6. PFC DIMENSIONS ARE TO AS 3679.
7. WELDING TO COMPLY WITH AS 1554.
8. TOLERANCES TO DIMENSIONS OVER 5m IS +/- 5mm.
9. EACH POLE IS TO BE ENGRAVED WITH THE SIZE, TARE WEIGHT, FABRICATORS NAME, AND MONTH AND YEAR OF FABRICATION.
10. ENGRAVING SHALL BE IN LETTERS NO LESS THAN 10mm HIGH AND 0.05mm DEEP AND POSITIONED ON THE FIRST GUSSET PLATE ABOVE GROUND LEVEL.

ITEM	QTY 15.0B	QTY 15.0C	DESCRIPTION	ITEM NUMBER
12	3	3	M12 x 40 GALVANISED BOLT
11	-	1	238 x 188 x 6 FMS, TOP PLATE
	1	-	238 x 138 x 6 FMS, TOP PLATE
10	2	2	140 x 100 x 10 FMS, TOP BRACE
9	6	6	220 x 150 x 10 FMS, BRACES, 26 DIA HOLE
8	8	8	260 x 150 x 10 FMS, BRACES, 26 DIA HOLE
7	12	12	310 x 150 x 6 FMS, MID BRACES
6	2	2	300 x 1500 x 6 FMS, ANTI-CLIMBING PLATE
5	6	6	380 x 150 x 6 FMS, BRACES UNDER A/CL PLATE
4	2	2	400 x 300 x 6 FMS, GROUND PLATE
3	6	6	430 x 150 x 6 FMS, FOOTING BRACES
2	1	1	550 x 100 x 6 FMS, BASE PLATE
1	-	2	200 x 75 PFC, 15.0m LONG
		-	150 x 75 PFC, 15.0m LONG

MATERIAL SCHEDULE

NO	DESCRIPTION	DRN	DATE	CKD	APPD
2	TITLEBLOCK & DRAWING NUMBER FORMATTED, ITEM NUMBERS ADDED	K.T.	DEC'18	C.C.	C.C.
1	13x HOLES FOR PADLOCK ADDED	K.I.	OCT'05	C.C.	C.C.
0	ISSUED FOR CONSTRUCTION	A.S.
AMENDMENTS					



DES	M. BOCK	POWER STANDARD DRAWING	
DRN	A. SCHMID	POLES LINE 15.0B & 15.0C BOLTED CONNECTIONS TYPE	
CKD	-		
APPD	M. BOCK		
SCALE	1:50		
ISSUED	DEC'03	A3	DRAWING NUMBER S01-01-01-22
ALL DIM. IN mm			
DRAFTING STANDARD TO A.S.1100		CAD PRODUCT - DO NOT AMEND MANUALLY	

