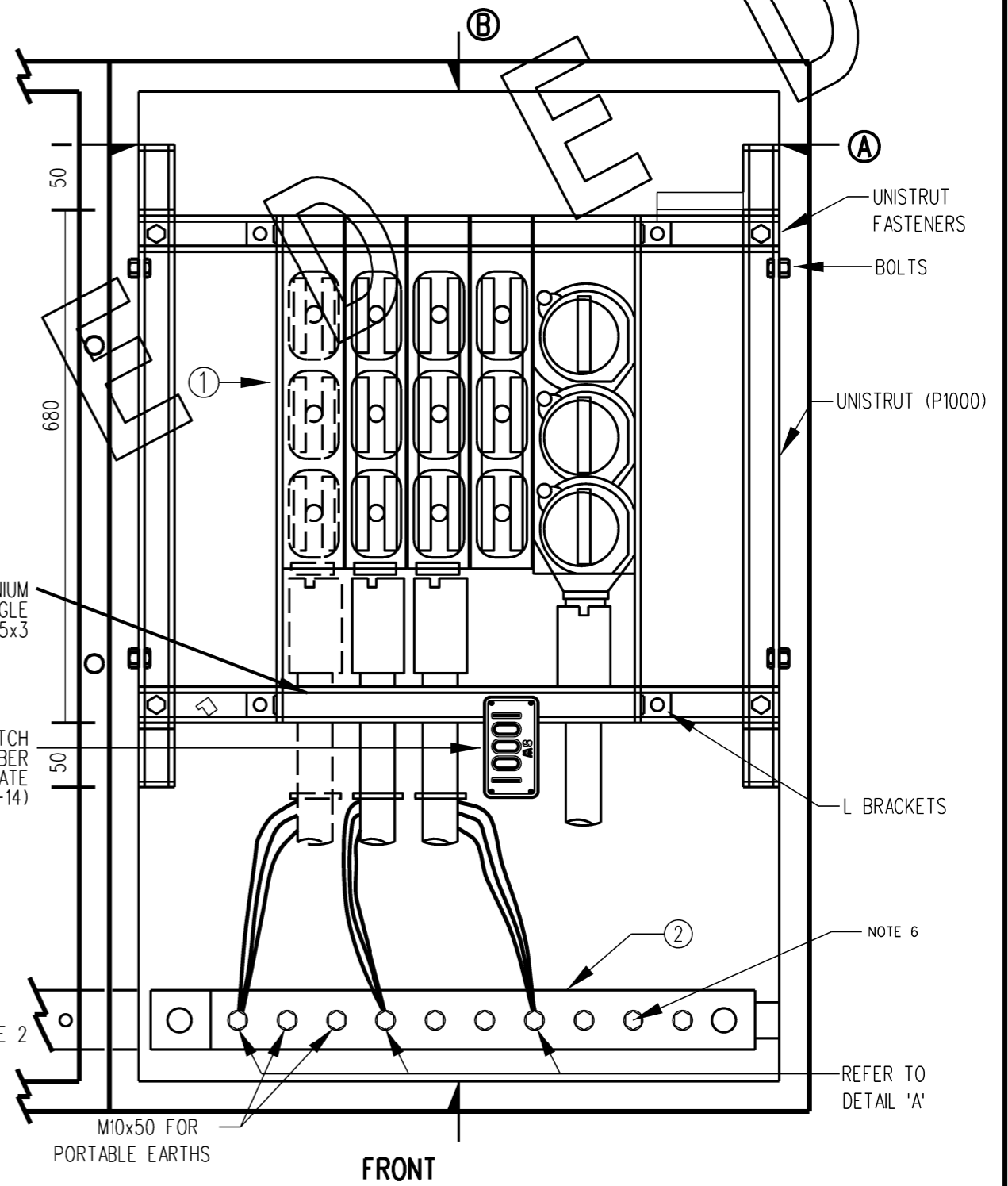
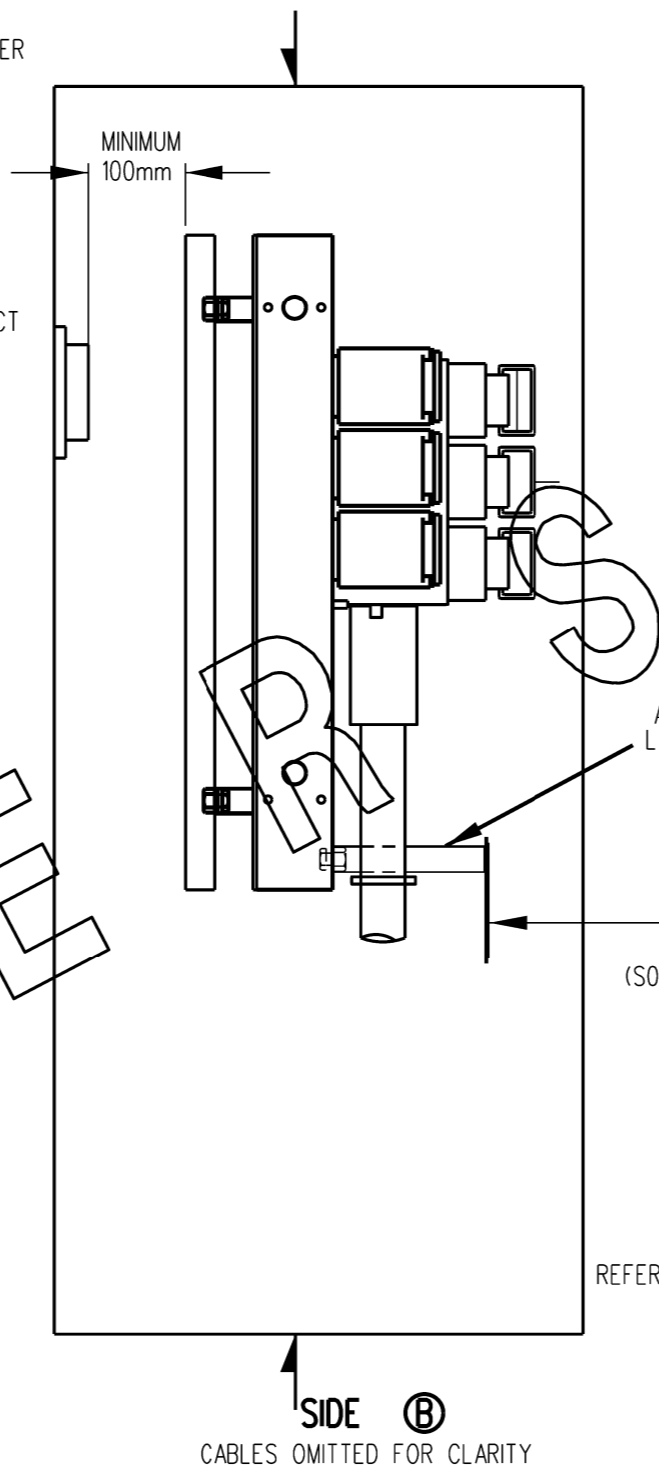
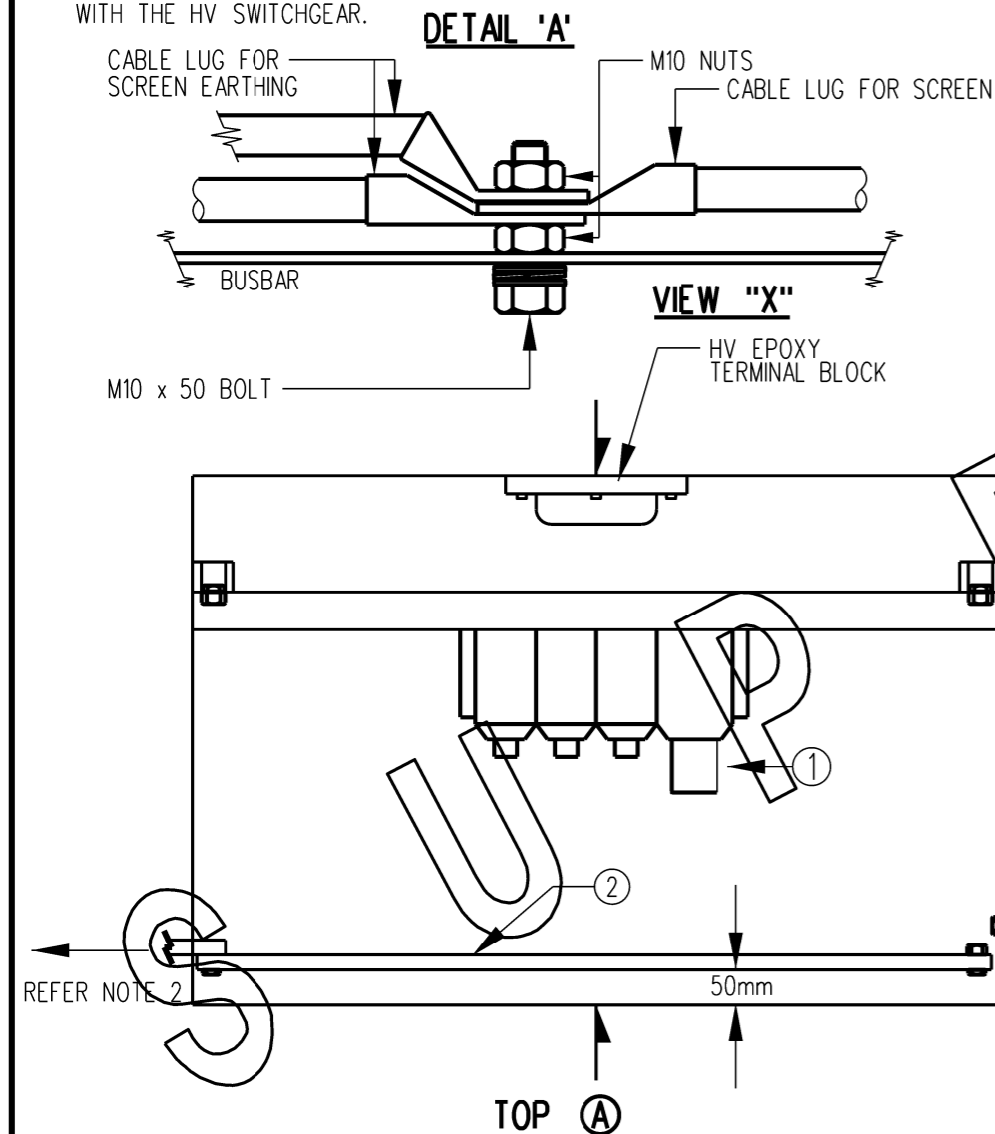


ITEM	QTY	DESCRIPTION	DWG No.	STOCK CODE
2	-	FRONT EARTH BUS	S02-01-07-11	-
1	-	HOLEC MAGNEFIX		-

NOTES:

1. CABLES TO BE CONNECTED R,W,B FROM REAR TO FRONT OF CABINET
2. HV EARTH BUS TO EXTEND TO LV VIA SOLID BUSBAR OR 90mm FLEXIBLE BRAID COPPER
3. HV CABLES TO BE FITTED WITH FAULT INDICATORS AS DESCRIBED IN STS 001
4. FOR KIOSK SUBSTATIONS MOUNTING FRAME IS REQUIRED.
5. HV CABLE SCREENS ARE TO BE EARTHED.
6. SPARE 10mm THREAD BOLT FOR OPERATOR EARTHS.
7. ALL USED SWITCH LINKS SHALL HAVE BRIDGED 3 PHASE SWITCH CAPS INSTALLED.
8. ALL SPARE SWITCH LINKS ARE TO HAVE PROTECTION COVERS FITTED (COW BELLS) AND DRY TYPE BOXES INSTALLED AT THE CABLE TERMINATIONS.
9. ENSURE ALL SCREWS OR BOLTS ATTACHED TO THE HV DOOR DO NOT COME IN CONTACT WITH THE HV SWITCHGEAR.



NO	DESCRIPTION	DRN	DATE	CKD	APPD
6	SUPERSEDED	A.T.	DEC'12	B.C.	B.C.
5	NOTE 9 & VERTICAL UNISTRUT LENGTH ADDED.	A.C.S.	NOV'11	A.T.	S.C.
4	ALUMINUM L ANGLE EXTENDED	C.C.	AUG'11	A.T.	S.C.
3	ADDED ALUMINIUM ANGLE & SW NUMBER PLATE	C.W.M.	DEC'09	A.T.	S.C.
2	NOTE 7 & 8 ADDED	A.B.	JULY'09	A.T.	S.C.
1	NOTE 6 ADDED	J.C.	NOV'08	B.C.	S.C.
AMENDMENTS					

DES B.C.
 DRN K.I.
 CKD B.C.
 APPD S.C.
 SCALE N.T.S.
 ISSUED JUL'06
 ALL DIM. IN mm

POWER STANDARD DRAWING
**PACKAGE SUBSTATIONS
 HIGH VOLTAGE
 ARRANGEMENT**

A3
 DRAWING NUMBER S02-02-08-02
 DRAFTING STANDARD TO A.S.1100
 CAD PRODUCT - DO NOT AMEND MANUALLY