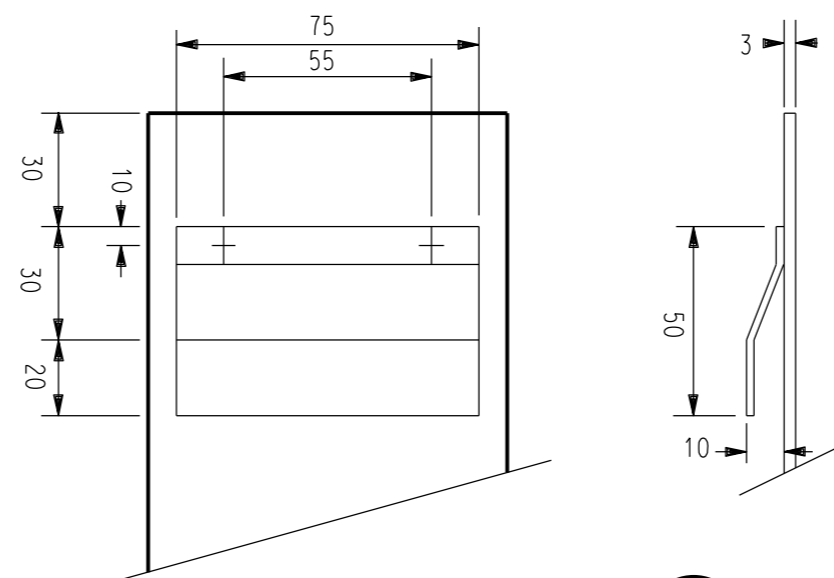
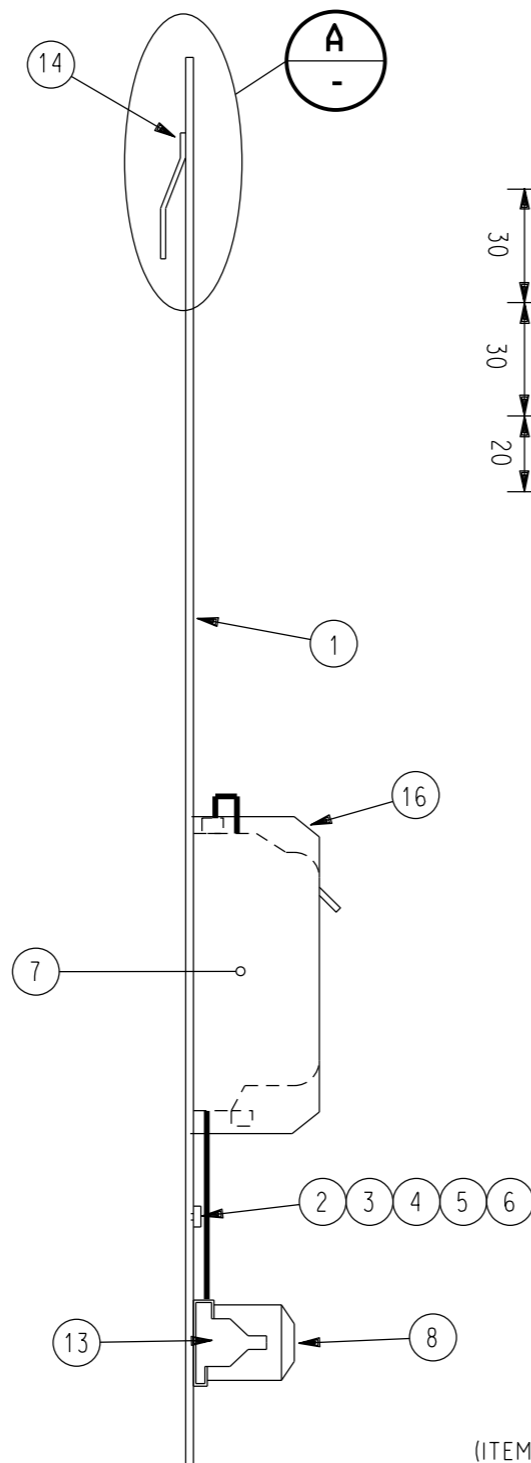


ITEM 1 - SWITCH PACK LIGHTING COLUMN



MOUNTING DETAIL

TO BE READ IN CONJUNCTION WITH S03-01-05-07 WIRING DIAGRAM

(ITEM NUMBER 285254 - SINGLE BREAKER)
 (ITEM NUMBER 415500 - DOUBLE BREAKER)
 (ITEM NUMBER 415505 - TRIPLE BREAKER)

NOTES:

1. ALL MOUNTING HOLES TO BE 4mm DIA
2. SECURE RAIL AND CIRCUIT BREAKER/S WITH SELF-TAPPING SCREWS (COUNTERSUNK FOR RAILS).
3. MOUNTING BRACKET TO BE RIVETED TO BASEPLATE.
4. WHEN USED WITH DOUBLE OR TRIPLE OUTREACH COLUMNS USE ADDITIONAL BREAKER(S) IN POSITION SHOWN.
5. REFER TO STSP 02-015 FOR MORE INFORMATION.

ITEM REF.	QTY.	DESCRIPTION	ITEM NUMBER
16	1	SURFACE MOUNTING ENCLOSURE C/W DIN RAIL	251819
15	1	CABLE 4sqmm Cu PVC RED SDI	-
14	1	MOUNTING BRACKET	-
13	1	TERMINAL 'C' RAIL	6536
12	2	DIN RAIL END CLAMP	7278
11	2	DIN RAIL BRIDGE BAR - C/W SUPPORTS	-
10	1	TERMINAL BLOCK, SPACER PLATE	7393
9	4	TERMINAL BLOCK 35sqmm	7229
8	1	END PLATE	7252
7	1	CIRCUIT BREAKER 10A 9kA	251827
6	2	SS316 M5 NUT	-
5	1	SS316 M5 BOLT	-
4	1	SS316 M5 SPLIT SPRING WASHER	-
3	1	SS316 M5 FLAT WASHER	-
2	1	SS316 M5 STANKO LUG	-
1	1	ALUMINIUM BASE PLATE 560x85x3mm	-

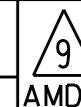
MATERIAL SCHEDULE

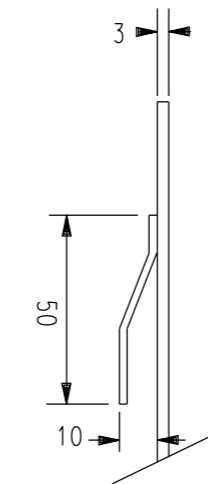
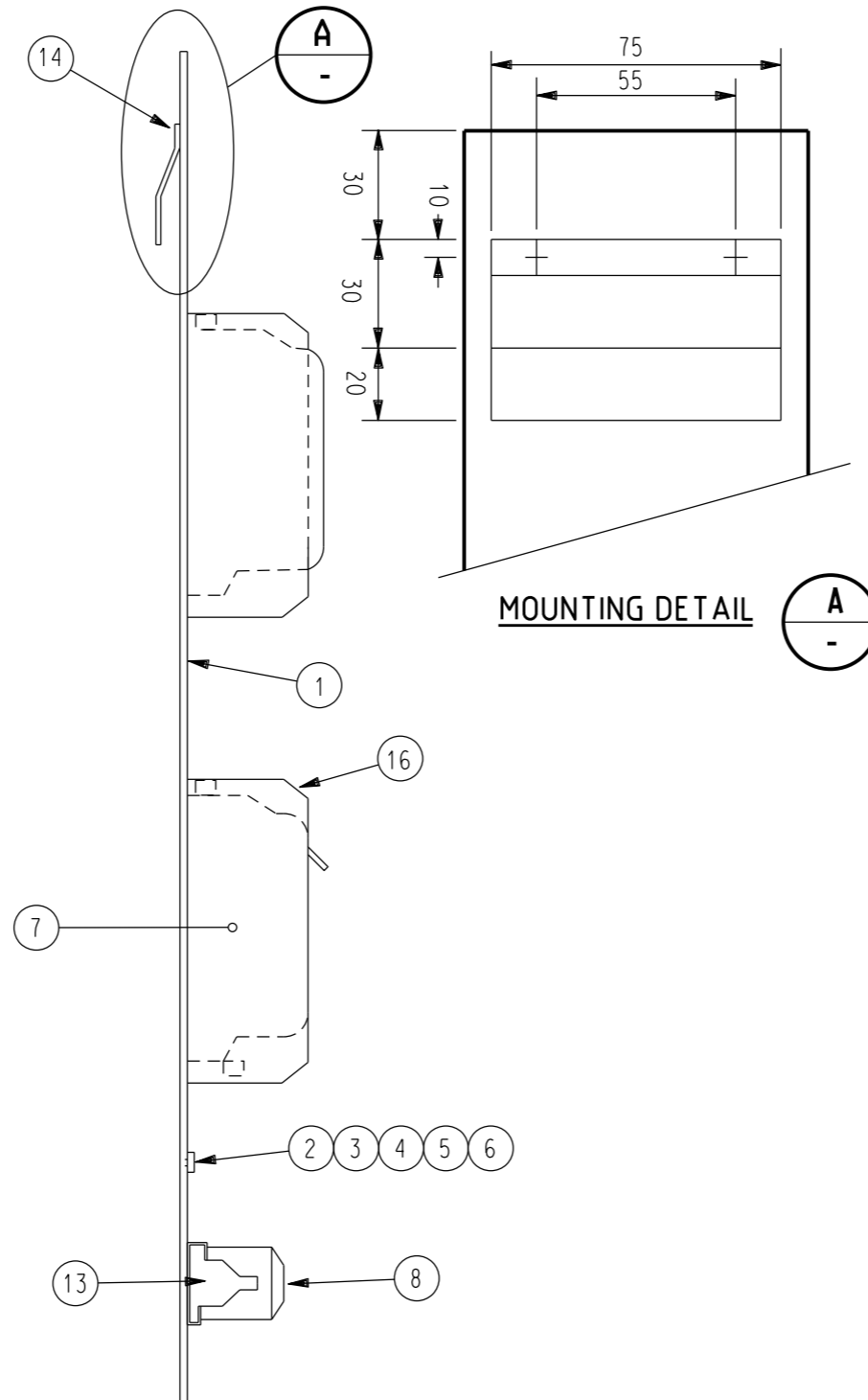
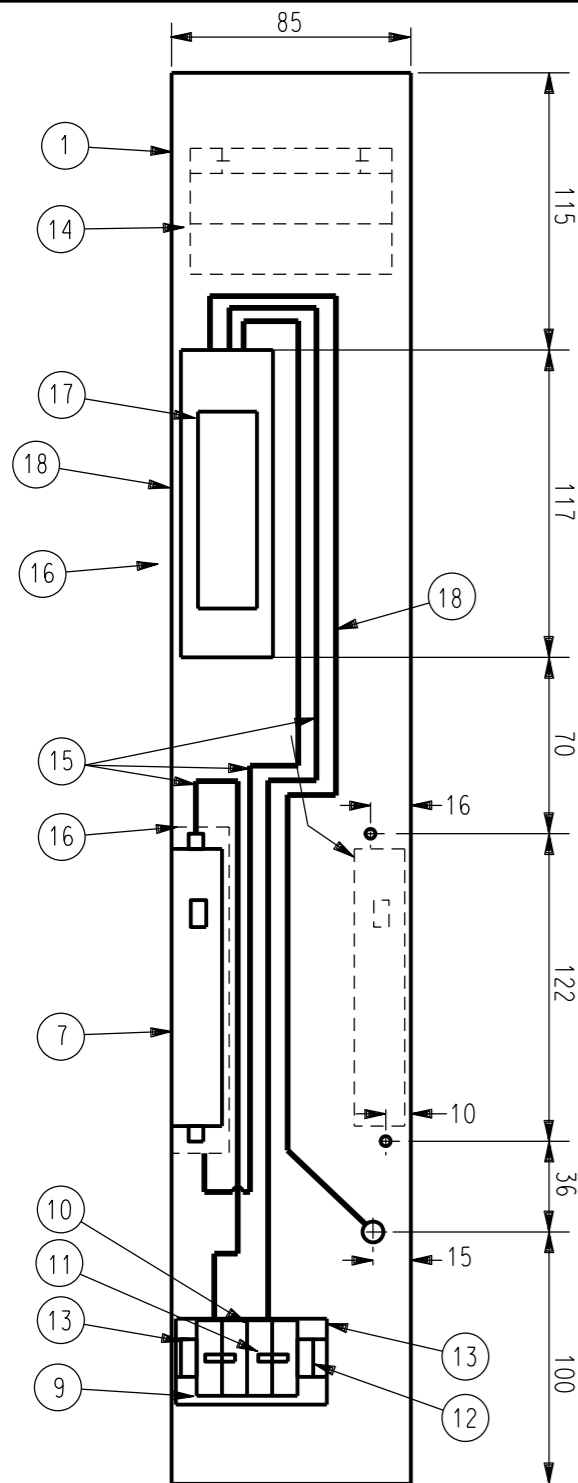
NO	DESCRIPTION	DRN	DATE	CKD	APPD
9	REMOVED DOUBLE INSULATED ITEM AND NOTE, CORRECTED ITEM 10 DESCRIPTION. REFORMATTED TABLE. ADDED NOTE 5. TITLEBLOCK & DRAWING NUMBERS FORMATTED	A.N.	AUG'21	C.C.C.	B.V.
8	SHEET 2 ADDED	K.T.	FEB'19	C.C.	C.C.
7	S/C FOR DOUBLE AND TRIPLE CB PANEL ADDED	A.T.	SEP'16	I.B.	B.C.
6	ADDED TERMINAL BLOCK S126	A.T.	FEB'12	B.C.	S.C.
5	DOUBLE INSULATED CONTROL ADDED	J.C.	FEB'08	B.C.	S.C.
4	ITEM 15 CHANGED	A.S.	JULY'07	B.C.	S.C.
3	S03-01-05-13 REFERENCE CHANGED TO S03-01-05-07	K.I.	MAR'07	R.S.	S.C.
2	REDRAWN ON C.A.D. DIMENSIONS AND PARTS LIST AMENDED.	K.I.	MAR'05	C.C.	C.C.
1		J.A.L.	MAY'95	S.C.M.	P.J.D.

PowerWater

NORTHERN TERRITORY

DES	A.T.	POWER STANDARD DRAWING	
DRN	gmck	CONTROL DATA	
CKD	N.F.S.	SWITCH PACK	
APPD	B.KENT	LIGHTING COLUMNS	
SCALE	N.T.S.	INTEGRAL - SINGLE PHASE	
ISSUED	NOV'92	A3	DRAWING NUMBER S03-01-05-12_1
ALL DIM.	IN mm		
DRAFTING STANDARD TO A.S.1100		CAD PRODUCT - DO NOT AMEND MANUALLY	





NOTES:

1. ALL MOUNTING HOLES TO BE 4mm DIA
2. SECURE RAIL AND CIRCUIT BREAKER/S WITH SELF-TAPPING SCREWS (COUNTERSUNK FOR RAILS).
3. MOUNTING BRACKET TO BE RIVETED TO BASEPLATE.
4. WHEN USED WITH DOUBLE OR TRIPLE OUTREACH COLUMNS USE ADDITIONAL BREAKER(S) IN POSITION SHOWN.
5. REFER TO STSP 02-015 FOR MORE INFORMATION.

ITEM 1 - SWITCH PACK LIGHTING COLUMN WITH SURGE PROTECTOR

TO BE READ IN CONJUNCTION WITH S03-01-05-07 WIRING DIAGRAM

ITEM REF.	QTY.	DESCRIPTION	ITEM NUMBER
18	1	CABLE 4sqmm Cu PVC GREEN/YELLOW	
17	AR	SERIES SURGE PROTECTION 15kA	503737
16	1	SURFACE MOUNTING ENCLOSURE C/W DIN RAIL	251819
15	1	CABLE 4sqmm Cu PVC RED SDI	-
14	1	MOUNTING BRACKET	-
13	1	TERMINAL 'C' RAIL	6536
12	2	DIN RAIL END CLAMP	7278
11	2	DIN RAIL BRIDGE BAR - C/W SUPPORTS	-
10	1	TERMINAL BLOCK, SPACER PLATE	7393
9	4	TERMINAL BLOCK 35sqmm	7229
8	1	END PLATE	7252
7	1	CIRCUIT BREAKER 10A 9kA	251827
6	2	SS316 M5 NUT	-
5	1	SS316 M5 BOLT	-
4	1	SS316 M5 SPLIT SPRING WASHER	-
3	1	SS316 M5 FLAT WASHER	-
2	1	SS316 M5 STANKO LUG	-
1	1	ALUMINIUM BASE PLATE 560x85x3mm	-

MATERIAL SCHEDULE			
ITEM REF.	QTY.	DESCRIPTION	ITEM NUMBER
POWER STANDARD DRAWING			
CONTROL DATA			
SWITCH PACK			
LIGHTING COLUMNS			
INTEGRAL - SINGLE PHASE			
A3		DRAWING NUMBER	S03-01-05-12_2
DRAFTING STANDARD TO A.S.1100		CAD PRODUCT - DO NOT AMEND MANUALLY	

NO	DESCRIPTION	DRN	DATE	CKD	APPD
9	ADDED SURGE ARRESTER WIRING & NOTE 5. REMOVED REFERENCE TO DOUBLE INSULATED BOARDS. CHANGED ITEM 18, CORRECTED ITEM 10 DESCRIPTION. TITLEBLOCK & DRAWING NUMBERS FORMATTED	A.N.	AUG'21	C.C.C.	B.V.
8	PAGE 2 ADDED LED ARRANGMENT	K.T.	FEB'19	C.C.	C.C.
7	S/C FOR DOUBLE AND TRIPLE CB PANEL ADDED	K.T.	JUN'16	A.T.	B.C.
6	ADDED TERMINAL BLOCK S126	A.T.	FEB'12	B.C.	S.C.
5	DOUBLE INSULATED CONTROL ADDED	J.C.	FEB'08	B.C.	S.C.
4	ITEM 15 CHANGED	A.S.	JULY'07	B.C.	S.C.
3	S03-01-05-13 REFERENCE CHANGED TO S03-01-05-07	K.I.	MAR'07	R.S.	S.C.
2	REDRAWN ON C.A.D. DIMENSIONS AND PARTS LIST AMENDED.	K.I.	MAR'05	C.C.	C.C.
1		J.A.L.	MAY'95	S.C.M.	P.J.D.

