

WARNING

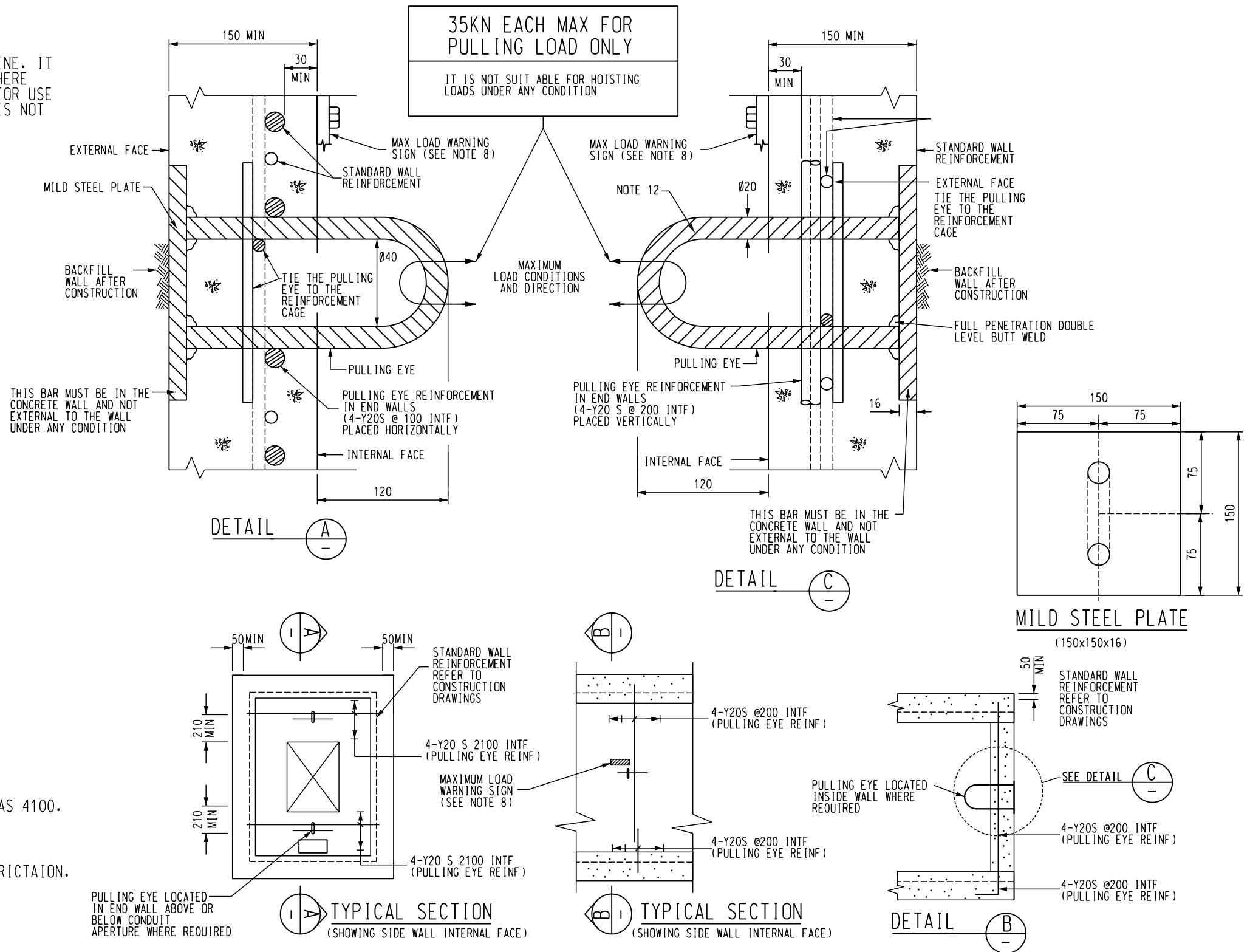
THIS PULLING EYE IS FOR HAULING LOADS IN LINE WITH THE PULLING EYE AXIS AND MUST NOT BE USED FOR UNIVERSAL APPLICATIONS WHERE LOADS MAY BE APPLIED OFF THE AXIS LINE. IT IS SUITABLE ONLY FOR USE IN CABLE PITS AND LOCATIONS WHERE LIMITED USE IS EXPECTED. THIS PULLING EYE IS DESIGNED FOR USE IN LOAD BEARING REINFORCED CONCRETE WALLS AS SHOWN IT IS NOT TO BE USED FOR HOISTING LOADS UNDER ANY CIRCUMSTANCES.

EXTREMELY IMPORTANT

FOR INSTALLATION IN SUBSTATION BUILDING WALLS THE DESIGN AND CONSTRUCTION SHALL BE CERTIFIED BY THE DEVELOPERS/ BUILDERS STRUCTURAL ENGINEER.

NOTES

1. THE PULLING EYE MUST BE PLACED BEHIND THE WALL REINFORCEMENT CAGE AND THREADED THROUGH THE CAGE AS SHOWN.
2. THE REINFORCEMENT CAGE MUST BE TIED TO THE PULLING EYE.
3. THE PULLING EYE IS NOT TO PROTRUDE OUTSIDE THE FACE OF THE EXTERNAL WALL UNDER ANY CONDITION
4. PULLING EYE REINFORCEMENT SHOWN ON THIS DRAWING IS TO BE PLACED AROUND THE EYE AND IS ADDITIONAL TO THE STANDARD WALL REINFORCEMENT
5. THE EYE AND THE REINFORCEMENT MUST BE INSPECTED BY A SUITABLE QUALIFIED CIVIL SUPERVISOR PRIOR TO THE POURING OF THE CONCRETE
6. THE MINIMUM STRENGTH OF CONCRETE SHALL BE 32MPa AT 28 DAYS IN ACCORDANCE WITH AS3600. (MAX AGGREGATE 20mm, SLUMP 75mm)
7. UNDER NO CIRCUMSTANCES ARE LOADS APPLIED TO THE PULLING EYE TO EXCEED THE STATED MAXIMUM.
8. A SIGN SHALL BE PLACED ABOVE ALL PULLING EYES STATING: "MAXIMUM 35KN PULLING LOAD ONLY".
9. ALL STEELWORK TO BE FABRICATED IN ACCORDANCE WITH AS 4100.
10. ALL WELDS TO BE CHIPPED FREE OF SLAG.
11. PULLING EYES SHALL BE HOT DIP GALVANISED AFTER FABRICATION.
12. $\varnothing 20$ PLAIN ROUND STRUCTURAL GRADE 250 BAR.



3	TITLEBLOCK & DRAWING NUMBER FORMATTED	K.T.	FEB'19	C.C.	C.C.
2	NOTES & MS PLATE DETAIL ADDED	K.T.	AUG'16	..	B.C.
1	PULLING EYE REDESIGNED	A.T.	JUN'14	A.T.	B.C.
NO	DESCRIPTION	DRN	DATE	CKD	APPD
AMENDMENTS					

PowerWater
NORTHERN TERRITORY

DES	S.LEACH	POWER STANDARD DRAWING			
DRN	A.DAVIS	INDOOR SUBSTATION CABLE PULLING EYE DETAIL			
CKD	P.McCORMACK				
APPD	F.ROBSON	A3	DRAWING NUMBER	S02-02-07-45	
SCALE	1:4				
ISSUED	MARCH'98	DRAWING NUMBER S02-02-07-45			
ALL DIM.	IN mm				
DRAFTING STANDARD TO A.S.1100		CAD PRODUCT - DO NOT AMEND MANUALLY		AMDT	