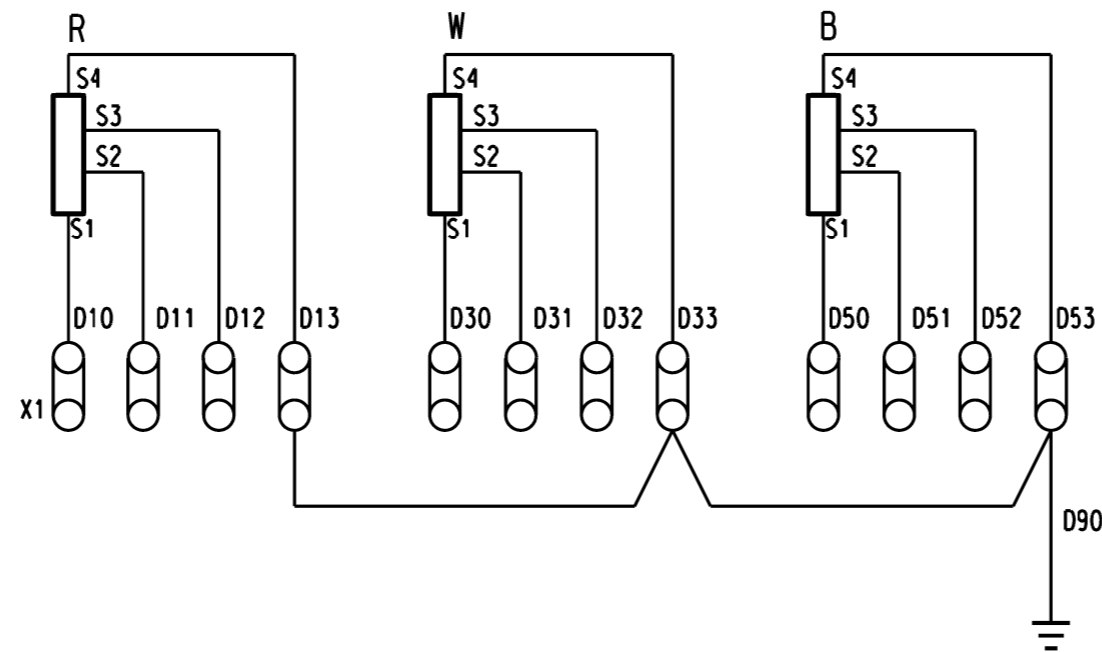
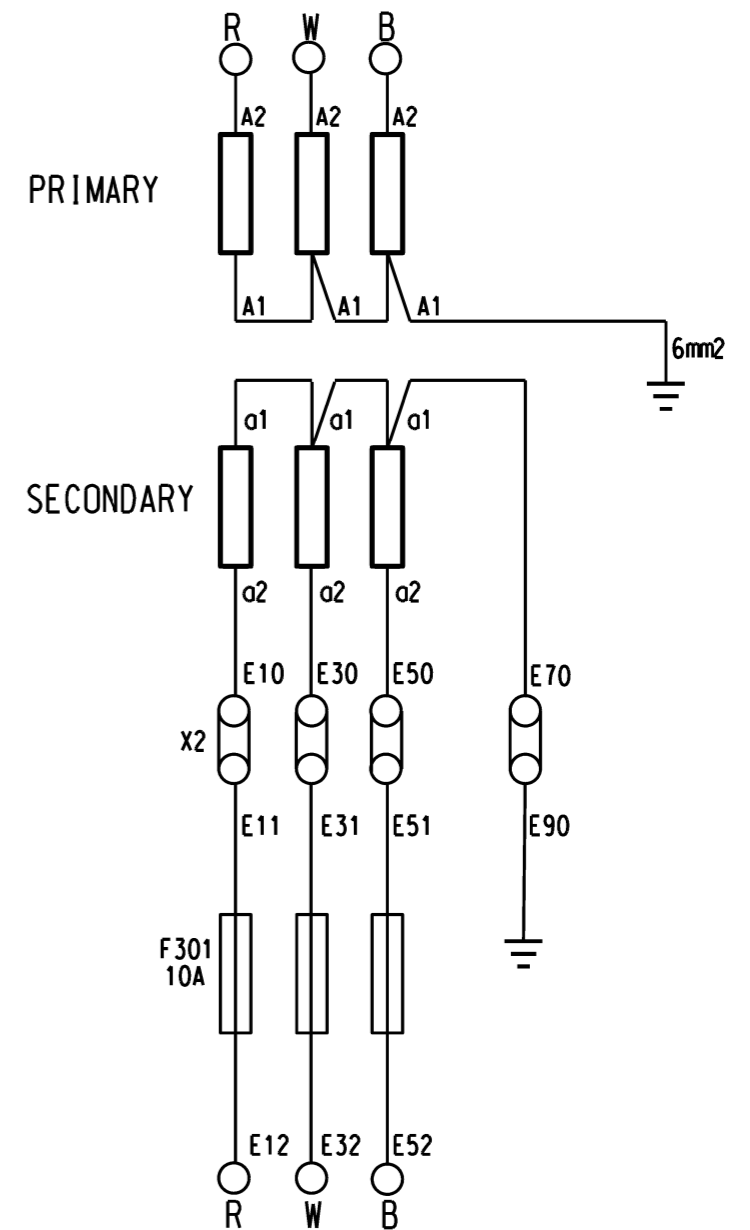


SINGLE LINE DIAGRAM



T1 - C.T. METERING SECONDARIES



T2 - V.T. METERING

SCHEMATIC DIAGRAMS

1	TITLEBLOCK & DRAWING NUMBER FORMATTED	K.T.	FEB'19	C.C.	C.C.
NO	DESCRIPTION	DRN	DATE	CKD	APPD
AMENDMENTS					



DES	S.L.S.	POWER STANDARD DRAWING			
DRN	T.C.	SWITCHING STATION HV METERING SINGLE LINE AND SCHEMATIC DIAGRAMS			
CKD	pmc				
APPD	P.J.D	A3	DRAWING NUMBER	S02-02-07-11	
SCALE	-			DRAWING NUMBER	
ISSUED	NOV'94	DRAWING NUMBER		S02-02-07-11	
ALL DIM.	IN mm	DRAWING NUMBER		S02-02-07-11	
DRAFTING STANDARD TO A.S.1100			CAD PRODUCT - DO NOT AMEND MANUALLY		AMDT