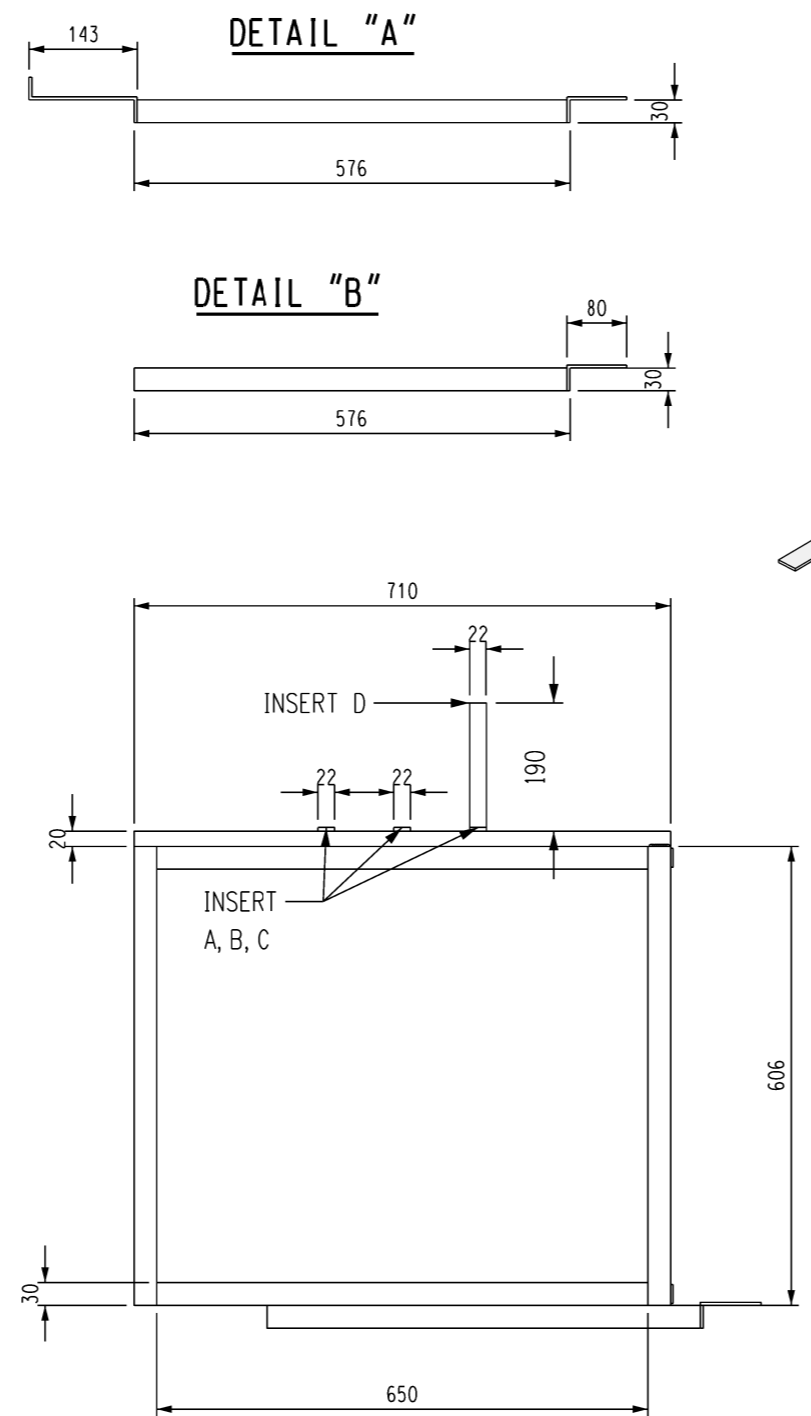
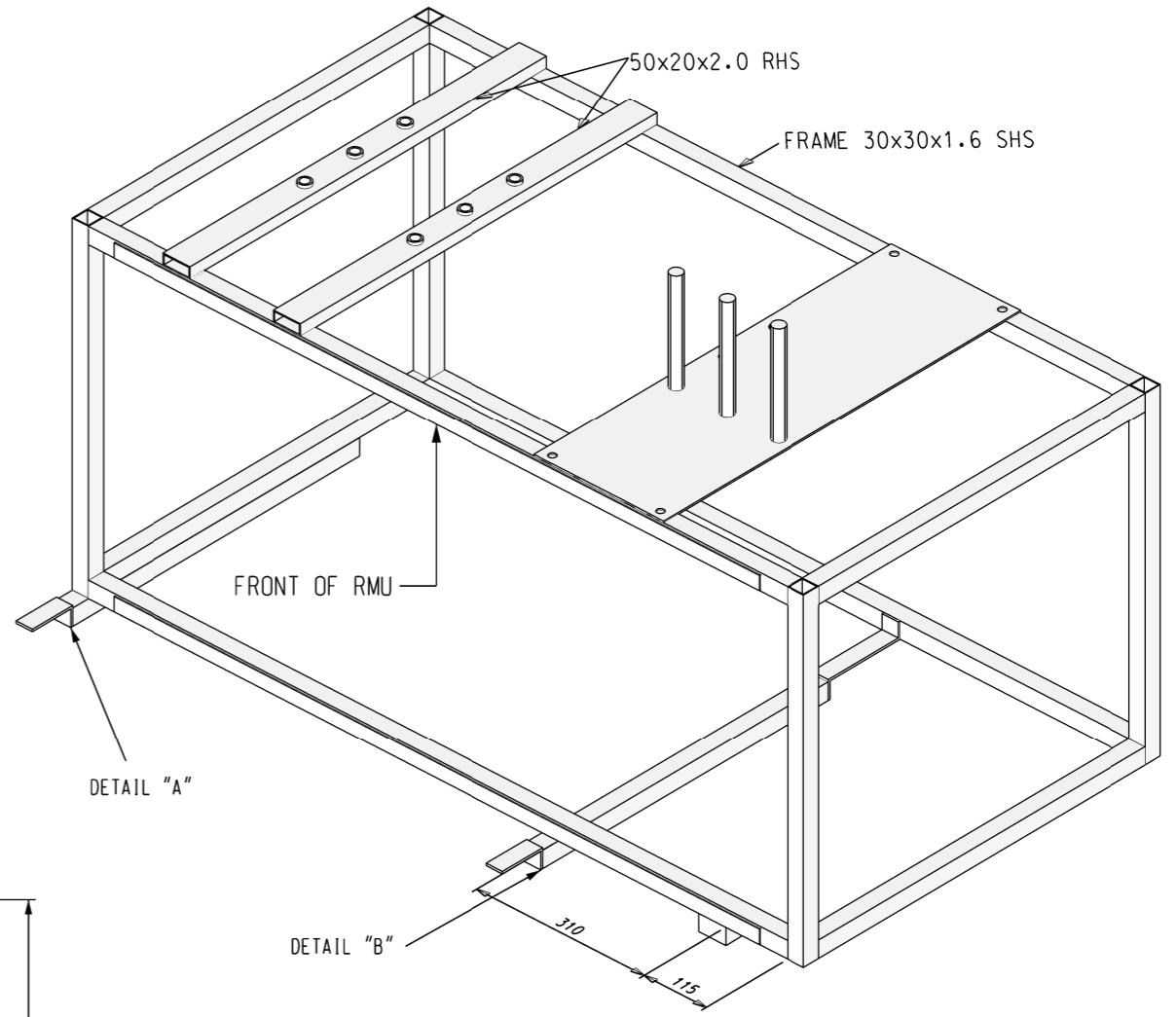


VIEW TOP



VIEW SIDE



VIEW ISOMETRIC

NOTES

1. INSERTS SHALL BE THREADED TO MATCH DIN TYPE "C" BUSHINGS
2. PLATE "C" SHALL BE REVERSIBLE SUCH THAT WHEN THE SPOUTS (ITEM 2) POINT UP INSERTS C ARE USED FOR TERMINATING SWITCH UNITS AND WHEN THE SPOUTS POINT DOWN INSERTS D ARE USED FOR TERMINATING FUSED UNITS.

0	ISSUED FOR CONSTRUCTION	C.C.	MAY'12	A.T.	B.C.
NO	DESCRIPTION	DRN	DATE	CKD	APPD
AMENDMENTS					



DES	R.MILLS	POWER STANDARD DRAWING		
DRN	C.COPPINS	DREISCHER MINEX-C CABLE TERMINATION FRAME		
CKD	A.TAYLOR			
APPD	B.CHEUNG			
SCALE	N.T.S.			
ISSUED	JAN'12	A3	DRAWING NUMBER	S02-1-2-20
ALL DIM.	IN mm			
DRAFTING STANDARD TO A.S.1100			CAD PRODUCT - DO NOT AMEND MANUALLY	

