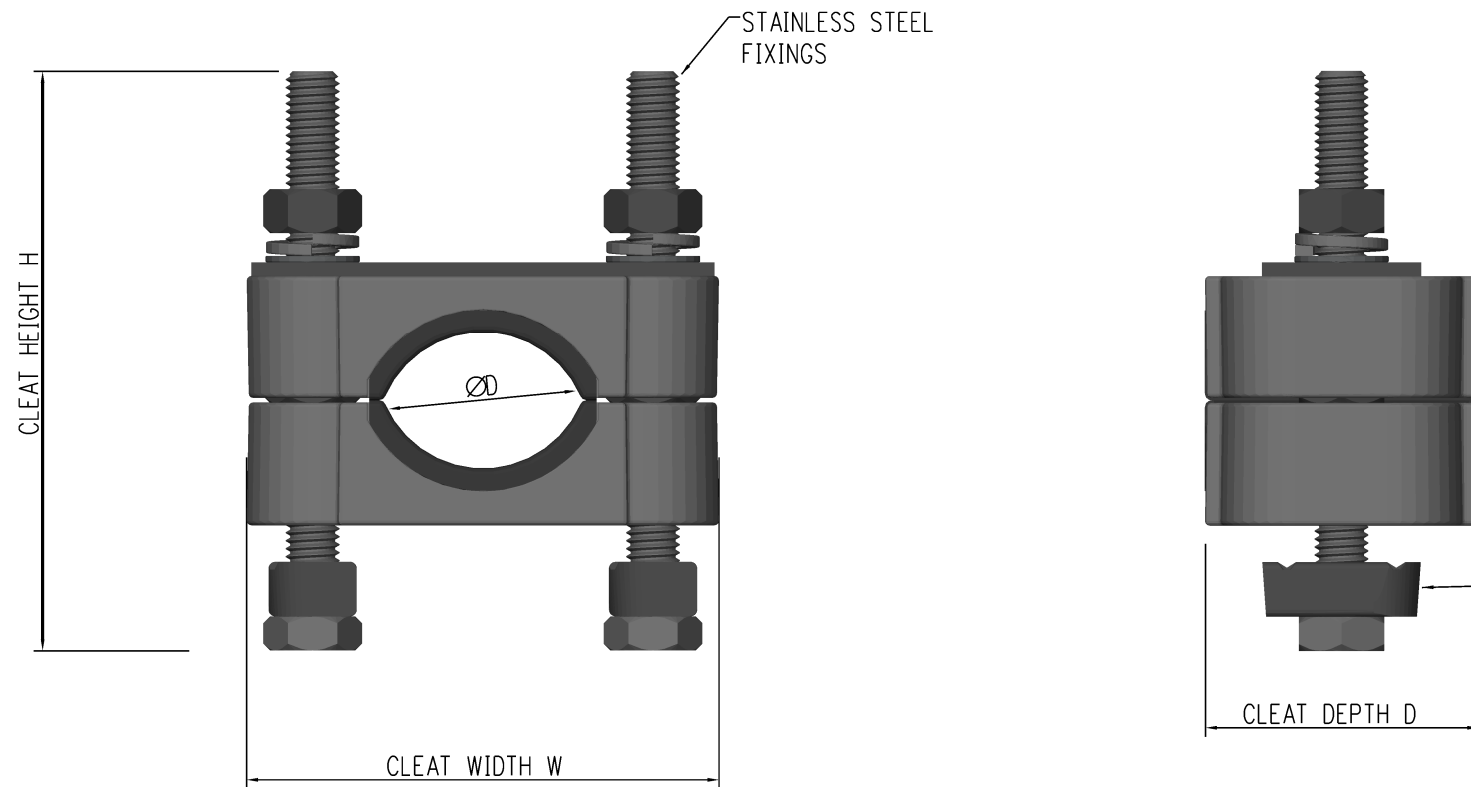


MULTI-CORE CABLE CLEATS, ITEMS 1-2
 4-CORE CLEATS FOR RUNNING LV CABLES UP OVERHEAD POLES AND CLAMPING LV CABLES INSIDE INDOOR SUBSTATIONS.
 MAXIMUM CLEAT SPACING OF 1500mm.

ITEM	STOCK CODE	CABLE DIAMETER (mm)	H (mm)	W (mm)	D (mm)	APPLICABLE CABLES
1	503116	26-27mm	113mm	70mm	54mm	4 x LV 240sqmm DISTRUBUTION
2	503120	35-42mm	148mm	103mm	54mm	4 x LV 400 OR 500sqmm FLEXIBLE



ITEM	STOCK CODE	CABLE DIAMETER (mm)	H (mm)	W (mm)	D (mm)	APPLICABLE CABLES
3	503117	26-38mm	90mm	90mm	60mm	11KV 35, 95sqmm AND 22KV 35sqmm
4	503119	38-50mm	115mm	104mm	60mm	11KV 240, 300, 400sqmm AND 22KV 120, 240sqmm
5	503118	50-60mm	115mm	133mm	60mm	11KV 630, 800sqmm AND 22KV 400, 630sqmm

SINGLE CORE CABLE CLEATS, ITEMS 3-5
 FOR SUPPORTING SINGLE CORE HV CABLES IN PACKAGE SUBSTATION AND RMU FOUNDATIONS AND INSIDE INDOOR SUBSTATIONS.
 MAXIMUM CLEAT SPACING OF 1000mm.

NO	DESCRIPTION	DRN	DATE	CKD	APPD
0	ISSUED FOR CONSTRUCTION	A.T.	FEB'15	I.B.	B.C.
AMENDMENTS					



DES	A. TAYLOR	POWER STANDARD DRAWING		
DRN	A. TAYLOR	CABLE ACCESSORIES, CABLE CLEATS, HV AND LV		
CKD	I. BASHIR			
APPD	B. CHEUNG			
SCALE	N.T.S.			
ISSUED	FEB'15	A3	DRAWING NUMBER	S02-1-9-03
ALL DIM.	IN mm			
DRAFTING STANDARD TO A.S.1100		CAD PRODUCT - DO NOT AMEND MANUALLY		AMDT