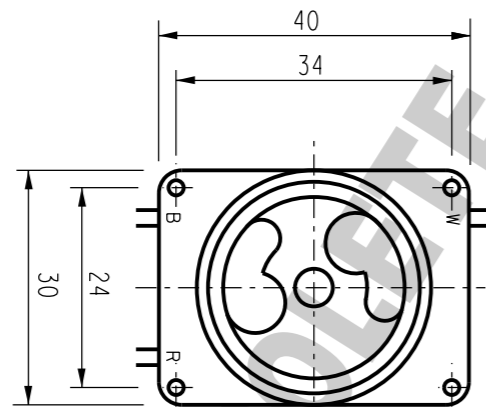


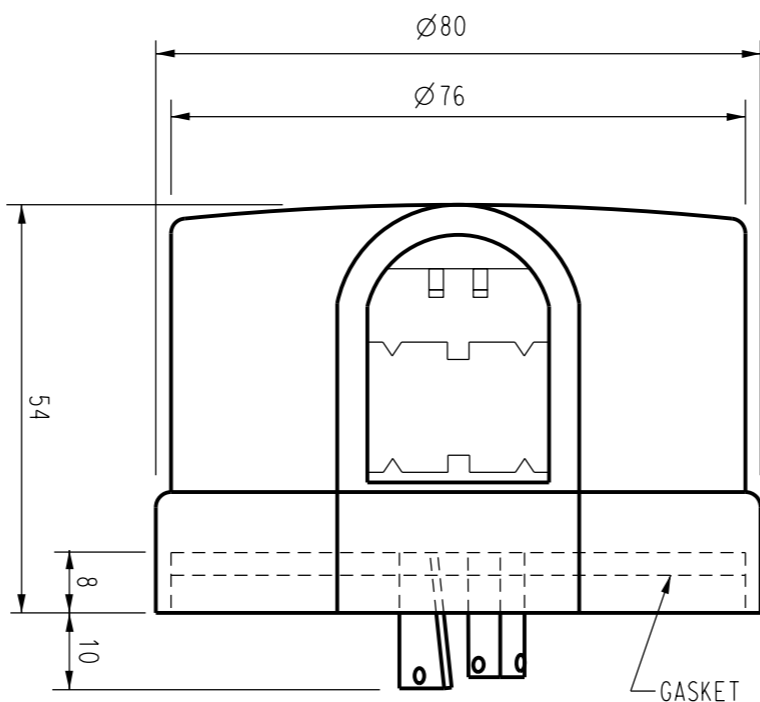
ITEM 1

PHOTOELECTRIC LIGHTING CONTROL
 ITEM NUMBER 503532
 VOLTAGE - 220-240V
 CURRENT RATING - 3A
 BASE TYPE - D2
 COVER - POLYPROPYLENE
 BASE - HIGH-TEMP POLYESTER (PBT)
 SENSOR - NON-DRIFTING PHOTOTRANSISTOR
 STANDARDS - AS 1158.6
 - ANSI C136.10
 SURGE PROTECTION - MOV
 TURN ON - 30 LUX
 OFF:ON RATIO - 0.6:1
 ON-TIME DELAY - INSTANT



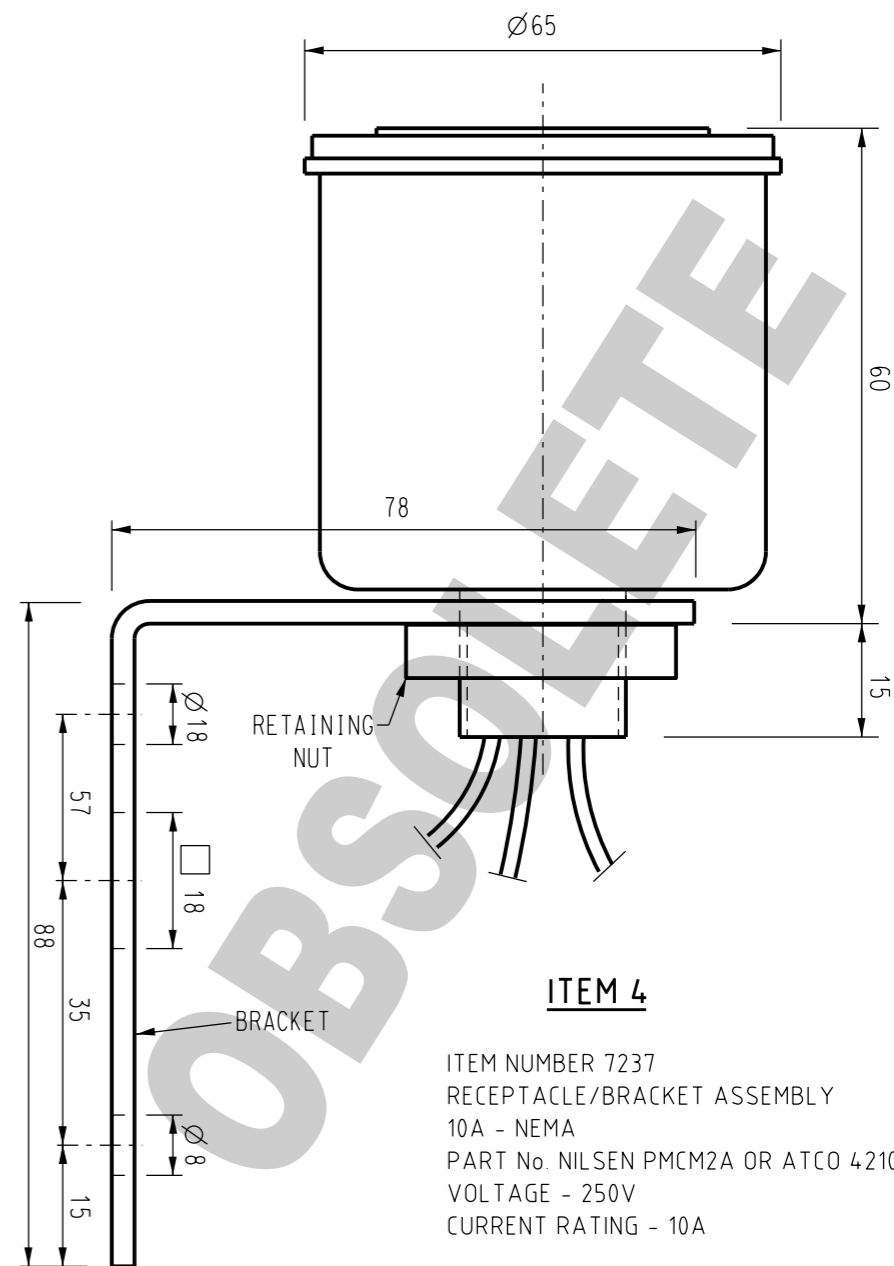
ITEM 2

ITEM NUMBER 7443
 RECEPTACLE 3A - D2
 PART No. SELCON J TYPE
 VOLTAGE - 250V
 CURRENT RATING - 3A



ITEM 3

ITEM NUMBER 6908
 PHOTOELECTRIC LIGHTING CONTROL - 240V, 10A
 VOLTAGE - 240V
 CURRENT RATING - 10A
 BASE TYPE - NEMA
 OPERATION - THERMAL
 SURGE PROTECTION - ENCLOSED TYPE EXPULSION DESIGN
 >2.0 kV SPARK OVER
 10.0 kA FOLLOW THROUGH
 TESTS - TO BS5972 OR ANSI C136.10



ITEM 4

ITEM NUMBER 7237
 RECEPTACLE/BRACKET ASSEMBLY
 10A - NEMA
 PART No. NILSEN PMCM2A OR ATCO 421071
 VOLTAGE - 250V
 CURRENT RATING - 10A

NO	DESCRIPTION	DRN	DATE	CKD	APPD
4	UPDATED ITEM 1. OBSOLETE ITEMS 2 & 4.	A.N.	AUG'21	C.C.C.	B.V.
3	TITLEBLOCK & DRAWING NUMBER FORMATTED	K.T.	FEB'19	C.C.	C.C.
2	REDRAWN ON MICROSTATION, ITEM INFO FOR ITEMS 1, 2, 3 & 4 AMENDED, TITLE AMENDED.	J.A.L.	APR'01	-	F.R.R.
1	PART No's ADDED.	B.G.	MAR'90	-	N.S.
AMENDMENTS					

PowerWater
 NORTHERN TERRITORY

DES	-	POWER STANDARD DRAWING		
DRN	G.L.	CONTROL DATA SWITCHES AND RECEPTACLES PHOTOELECTRIC		
CKD	B.M.W.			
APPD	B.T.K.			
SCALE	N.T.S.			
ISSUED	JUN'89	A3	DRAWING NUMBER	S03-01-05-10
ALL DIM.	IN mm			
DRAFTING STANDARD TO A.S.1100		CAD PRODUCT - DO NOT AMEND MANUALLY		4 AMDT