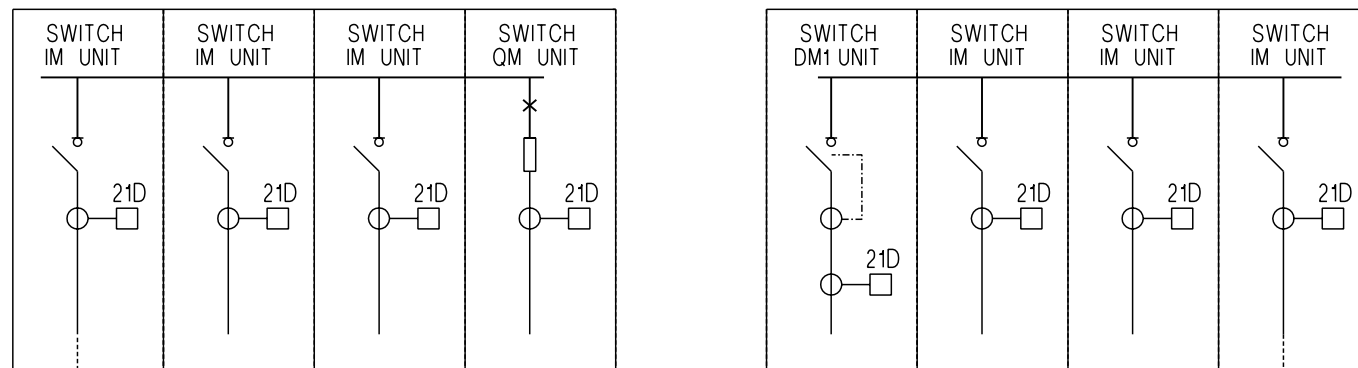


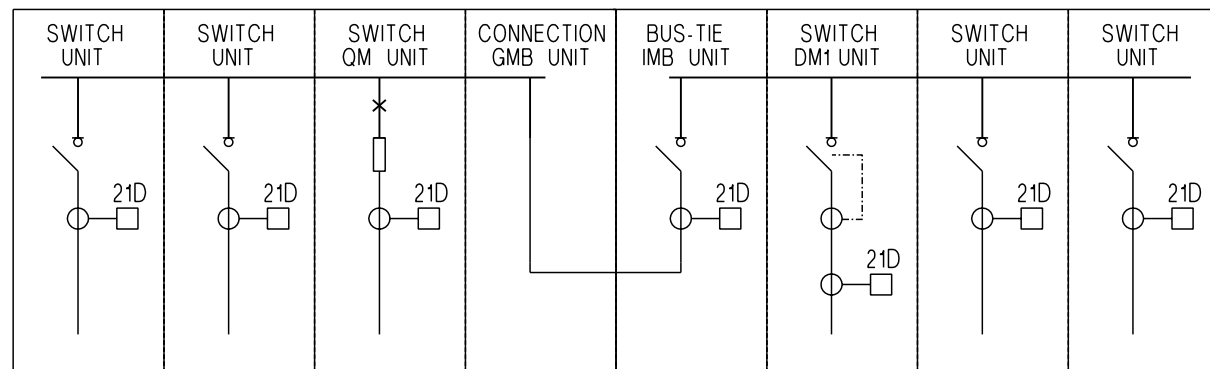
NOTES

- EQUIPMENT LAYOUT SHOWN IS THE MINIMUM ALLOWABLE FOR HV CONSUMER ON A RING SYSTEM.
- CONSUMER IS RESPONSIBLE FOR THE SUPPLY AND INSTALLATION OF CONSUMERS MAINS UP TO THE POINT OF SUPPLY. ALL WORK WITHIN THE SWITCHING STATION AFTER HANDOVER TO PWC WILL BE DONE BY PWC.
- EQUIPMENT TO BE SCHNEIDER SM6 (SF6) RATED 200A-630A SWITCHGEAR OR SIMILAR. FOR SM6 SWITCHGEAR DETAILS REFER TO S02-01-04-23.
- PLACE EQUIPMENT CENTRALLY WITHIN THE ROOM. ENSURE SUFFICIENT SPACE IS LEFT BETWEEN CABLE DUCTING AND WALLS TO ALLOW FOR CABLE BENDING RADIUS, IN GENERAL:
1300mm FROM FRONT
1400mm FROM SIDE
300mm BACK
REFER TO S02-04-02-05 FOR CABLE PULLING TENSIONS, BENDING RADIUS AND RATINGS.
- CONCRETE SLAB MUST BE WELL LEVELED AND DIMENSIONS OF SWITCHGEAR FOUNDATION MUST BE EXACT, TOLERANCE ± 2 mm GENERAL
- SWITCHGEAR SHALL BE INSTALLED ON METAL PLINTH, REFER TO S02-01-04-20.
- EARTHING SHALL BE INSTALLED IN ACCORDANCE WITH DRG S02-02-05-09.
- ASSOCIATED SWITCHING STATION MISCELLANEOUS SERVICE LAYOUT REFER TO S02-02-07-09.
- FOR FOUNDATION DETAILS REFER TO S02-02-06-32.
- THE CONSUMERS FIRST SWITCH SHALL BE A PROTECTION DEVICE.
- THE EARTH SWITCH ON THE CONSUMERS FIRST SWITCH SHALL BE FITTED WITH A POWER AND WATER PADLOCK. SYSTEM CONTROL SHALL BE CONTACTED BEFORE THE OPERATION OF THIS EARTH SWITCH.
- ALL CONDUITS ENTERING THE INTAKE/SWITCHING STATION SHALL BE SEALED WITH A PWC APPROVED CONDUIT SEALING METHOD.



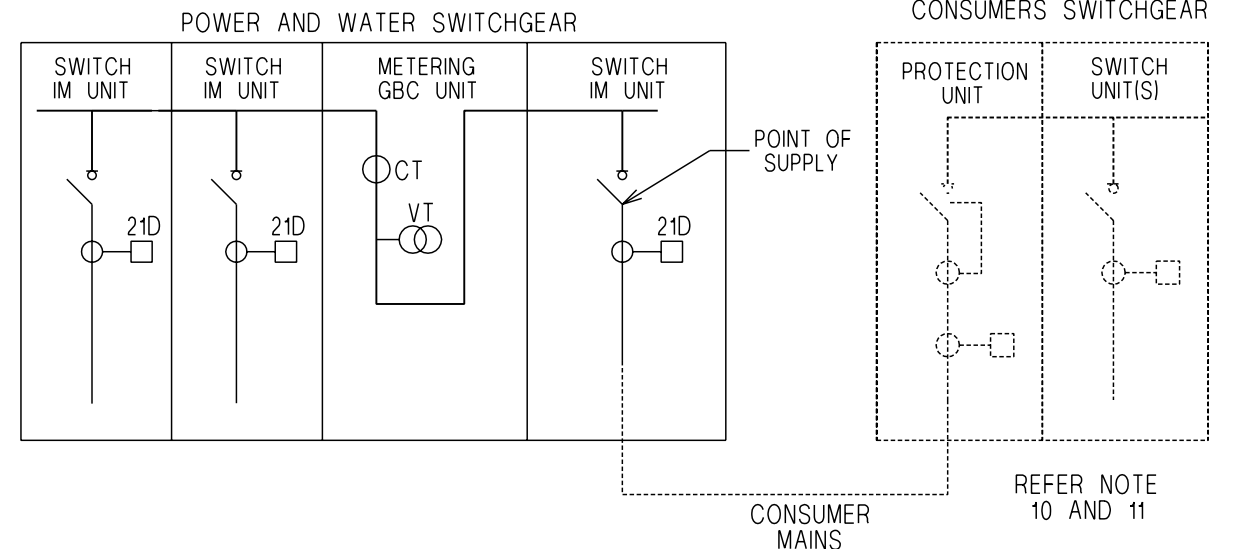
CABLE BUS-TIE

11/22kV SWITCHING STATION SINGLE LINE DIAGRAM – CABLE BUS TIE METHOD



11/22kV SWITCHING STATION SINGLE LINE DIAGRAM – USING SWITCH AND CONNECTION METHOD

11/22kV INTAKE STATION SINGLE LINE DIAGRAM



REFER NOTE 10 AND 11

NO	DESCRIPTION	DRN	DATE	CKD	APPD
5	TITLEBLOCK & DRAWING NUMBERS FORMATTED	K.T.	FEB'19	C.C.	C.C.
4	NOTE 10, 11, 12 ADDED. CONSUMER SWITCHGEAR ADDED TO INTAKE STATION SLD	A.T.	JUL'13	B.C.	B.C.
3	SWITCHING STATION DETAILS ADDED	V.T	JAN 13	A.T	B.C.
1	MEASUREMENTS AMENDED	J.C	NOV 07	B.C	S.C
0	SINGLE LINE DIAGRAM AMENDED	A.S	NOV 06	B.C	S.C



DES	-	POWER STANDARD DRAWING	
DRN	C.DUANE	SCHNEIDER ELECTRIC - SM6 11/22kV INTAKE STATION AND SWITCHING STATION LAYOUT	
CKD	N.S.		
APPD	B.T.KENT		
SCALE	AS SHOWN	A3	DRAWING NUMBER S02-02-07-10
ISSUED	OCT'90		
ALL DIM.	IN mm	DRAFTING STANDARD TO A.S.1100	
CAD PRODUCT - DO NOT AMEND MANUALLY		AMDT	