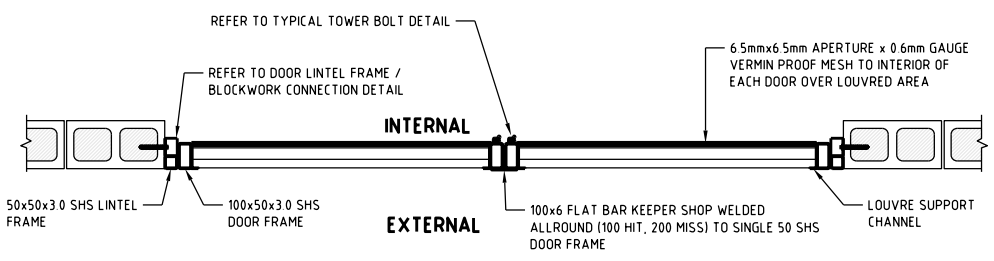
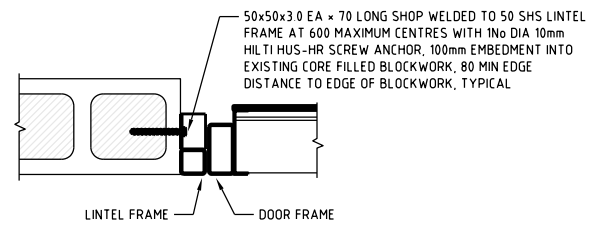


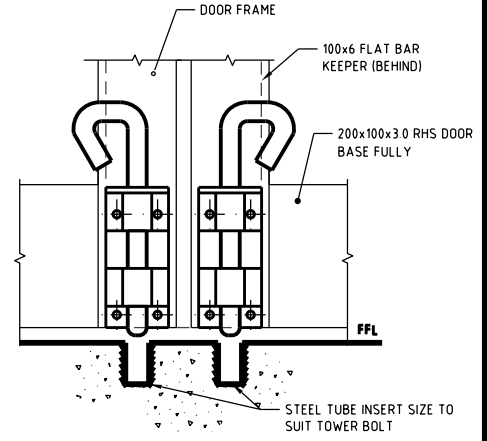
**SECTION A**  
SCALE 1:20  
S02-2-7-03



**SECTION B**  
SCALE 1:20  
S02-02-07-03

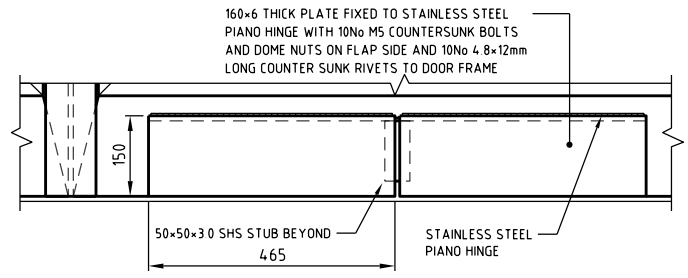


**DOOR LINTEL DOOR FRAME / BLOCKWORK CONNECTION DETAIL**  
1:10



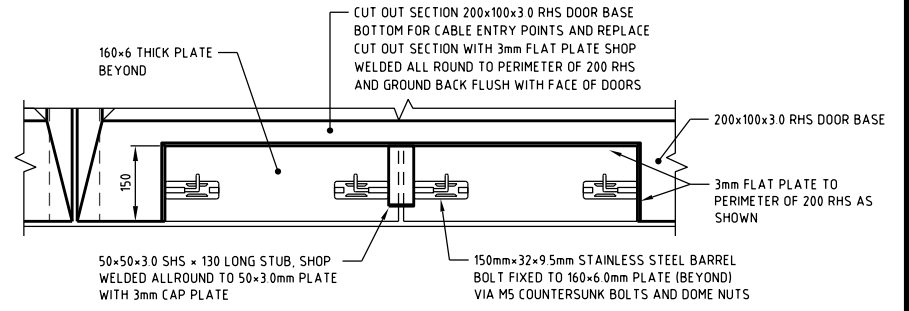
(NOTE: TOP TOWER BOLT HANDLE TO BE LOCATED 2100mm ABOVE FFL.)

**TYPICAL TOWER BOLT DETAIL**  
N.T.S.



**EXTERNAL ELEVATION**

TOWER BOLTS OMITTED FOR CLARITY



**INTERNAL ELEVATION**

**GENERAL NOTES**

- REFER TO DRAWING S02-2-7-02 FOR DRAWING STANDARD NOTES

**TYPICAL CABLE ENTRY POINT DETAIL**  
1:10

NO	DESCRIPTION	DRN	DATE	CKD	APPD
8	HINGE OPENING DIMENSION ADDED	C.C.	SEP'19	B.V.	B.C.
7	RELEASED FOR EPACC	C.C.	JUL'19	B.V.	B.C.
6	REVISED DRAWING	P.H.	OCT'18	B.C.	B.C.
5	LOUVRE SPEC AMENDED	A.S.	NOV'06	B.C.	S.C.



DES	R. HAIGH	POWER STANDARD DRAWING	
DRN	TOLS	<b>INDOOR SUBSTATION LOUVRED DOOR ELEVATION, DETAILS AND NOTES</b>	
CKD	N. STUBBS		
APPD	N. STUBBS		
SCALE	N. T. S.		
ISSUED	MAY '97	<b>A3</b>	<b>DRAWING NUMBER</b> S02-02-07-03
ALL DIM. IN mm			
DRAFTING STANDARD TO A.S.1100		CAD PRODUCT - DO NOT AMEND MANUALLY	

