

- NOTES :**
1. ALL DIMENSIONS ARE NOMINAL AND SUBJECT TO WORKING TOLERANCES.
 2. NOTE ITEM NUMBER SHOWN REFER TO BOTH ROUND AND SQUARE TRANSFORMER TYPES OF THE SAME RATING.
 3. T-T-30 EQUIVALENT TO Dyn 1.

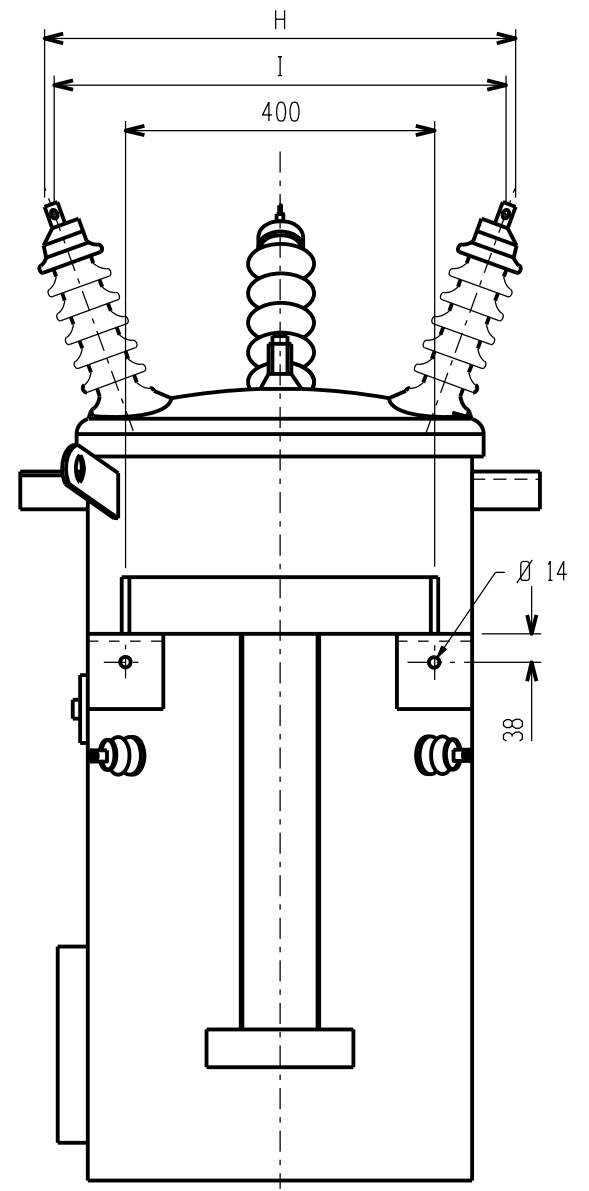
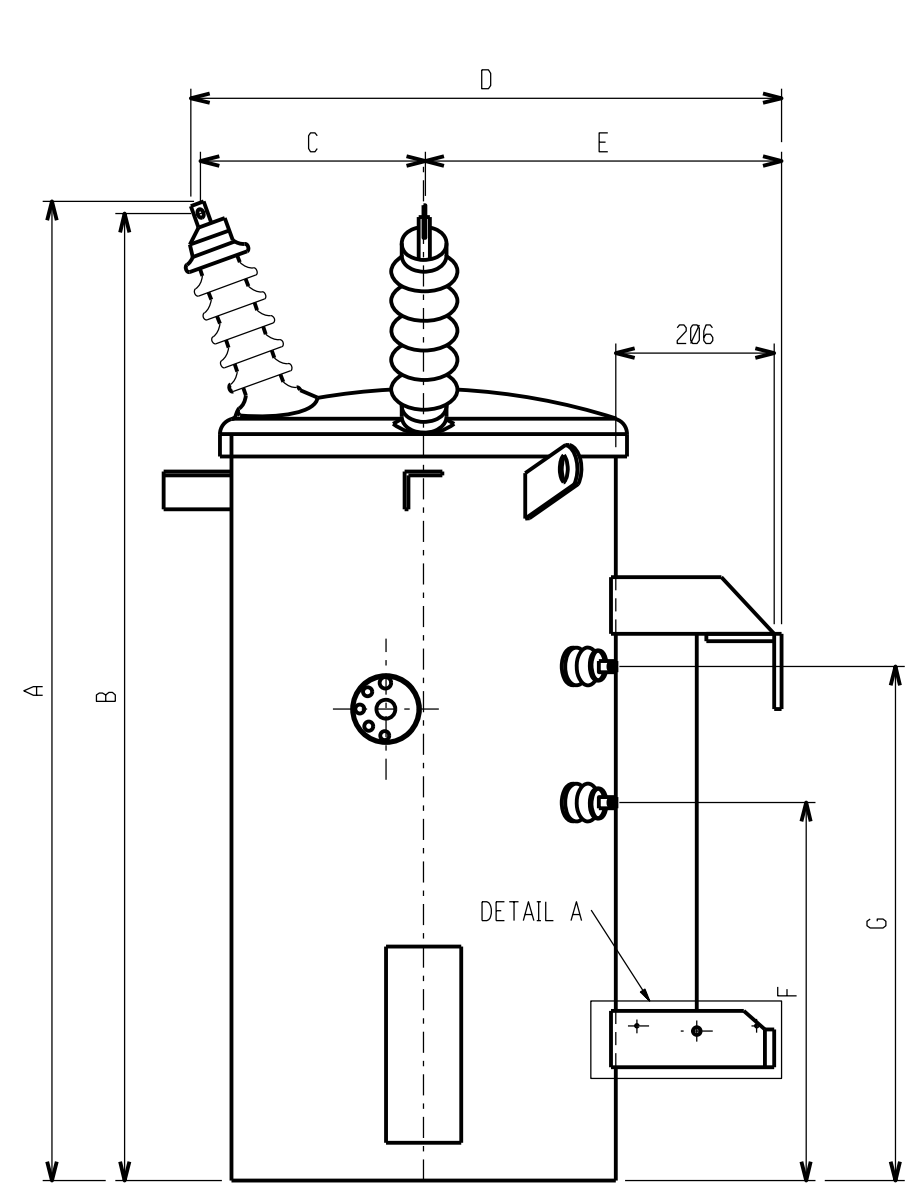
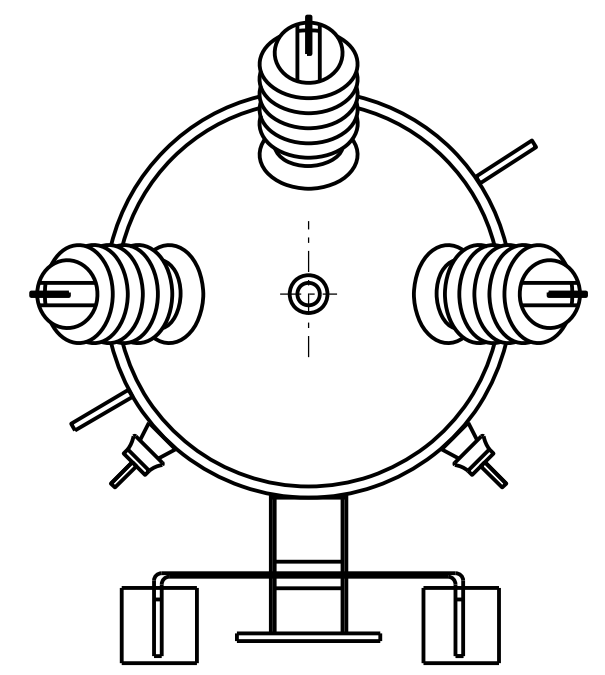


TABLE 1

ITEM TYPE	ITEM NUMBER		DIMENSIONS								
	REFURBISHED	NEW	A	B	C	D	E	F	G	H	I
11kV,25kVA		172718			291	806	485			668	669
11kV,50kVA	172981	412491	1349	1325	291	806	485	672	812	668	619
22kV,25kVA	173104	172841	1303	1280	322	829	-	672	812	728	681
22kV,50kVA	173112	413079	1403	1380	322	829	483	746	886	728	681

TABLE 2

ITEM TYPE	No PHASE	H.V. AMPERES	L.V. AMPERES	VECTOR RELATIONS
11KV,25KVA	3	1.31	33.3	
11kV,50kVA	3	2.62	66.6	T-T-30°
22kV,25kVA	3	0.66	33.3	T-T-30°
22kV,50kVA	3	1.31	66.6	T-T-30°

NO	DESCRIPTION	DRN	DATE	CKD	APPD
3	ITEM NUMBER UPDATED	P.H.	APR'18	I.B.	B.C.
2	RENUMBERED FROM S01-2-6-09	K.T.	APR'16	I.B.	B.C.
1	RENUMBERED S01-1-9-03 11KV 25KVA TX ADDED	P.S.C.	JAN.11	A.T.	S.C.



DES	F.NUNN	POWER STANDARD DRAWING	
DRN	J.LIVESLEY	TRANSFORMERS #1KV OR 22KV / 433V ROUND TRANSFORMER	
CKD	S.MANSFIELD		
APPD	P.DEWAR	A3	DRAWING NUMBER S01-1-9-07
SCALE	1 : 10		
ISSUED	MAR'95	DRAFTING STANDARD TO A.S.1100	
ALL DIM.	IN mm		
CAD PRODUCT - DO NOT AMEND MANUALLY		AMDT	