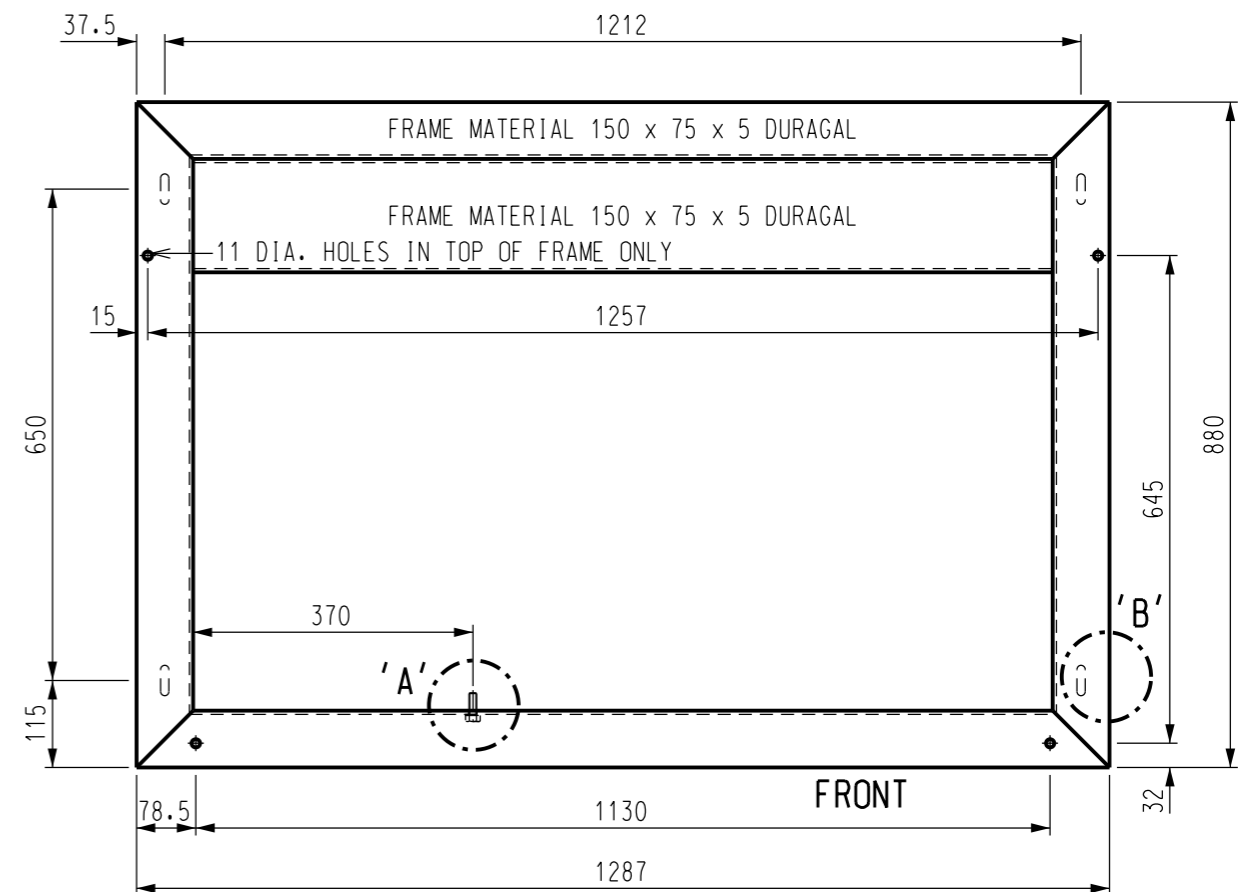


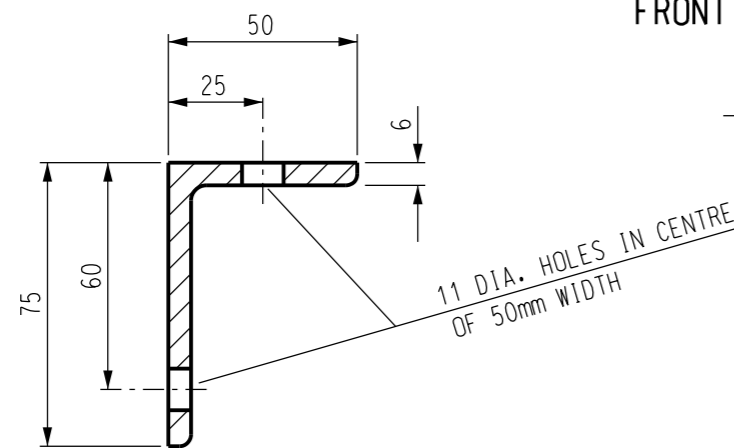
PLAN - RM6 RMU 4 FUNCTION UNIT MOUNTING FRAME

STOCK CODE:501099



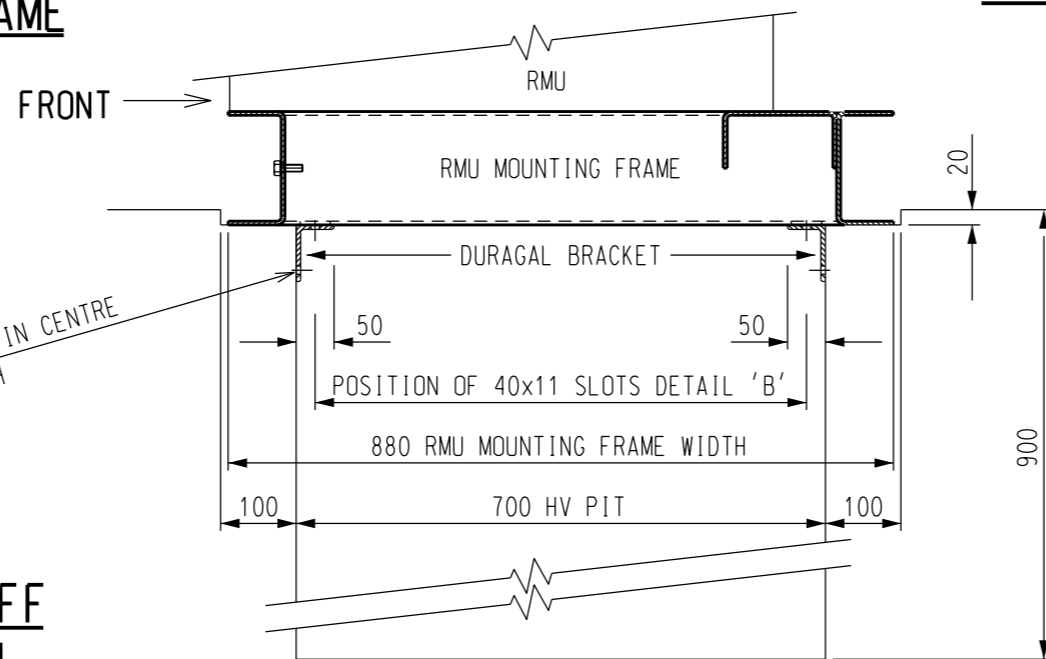
PLAN - RM6 RMU 3 FUNCTION UNIT MOUNTING FRAME

STOCK CODE:501100

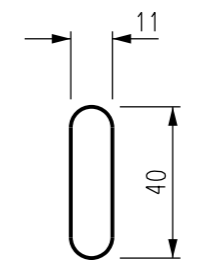


DURAGAL BRACKET (50mm WIDE) 4 OFF FOR FIXING FRAME TO HV PIT WALL

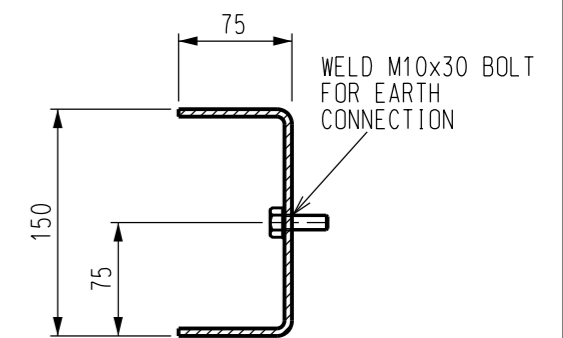
SCALE 1 : 2



SECTION THROUGH HV PIT



DETAIL 'B'
SLOTS IN BOTTOM FLANGE ONLY
(SCALE 1 : 5)



DETAIL 'A'
EARTH STUD LOCATION
(SCALE 1 : 5)

0	STOCK CODES ADDED, RE-NUMBERED FROM S02-2-7-57	C.M.	JUN'14	B.C.	B.C.
NO	DESCRIPTION	DRN	DATE	CKD	APPD
AMENDMENTS					



DES	D. MOFFAT	POWER STANDARD DRAWING			
DRN	A. SCHMID	RM6 RING MAIN UNIT 3 AND 4 FUNCTION MOUNTING FRAME			
CKD	D. MOFFAT				
APPD	T. TANG	A3	DRAWING NUMBER	S02-1-4-26	AMDT
SCALE	1 : 10.				
ISSUED	SEPT'06				
ALL DIM.	IN mm				
DRAFTING STANDARD TO A.S.1100		CAD PRODUCT - DO NOT AMEND MANUALLY			