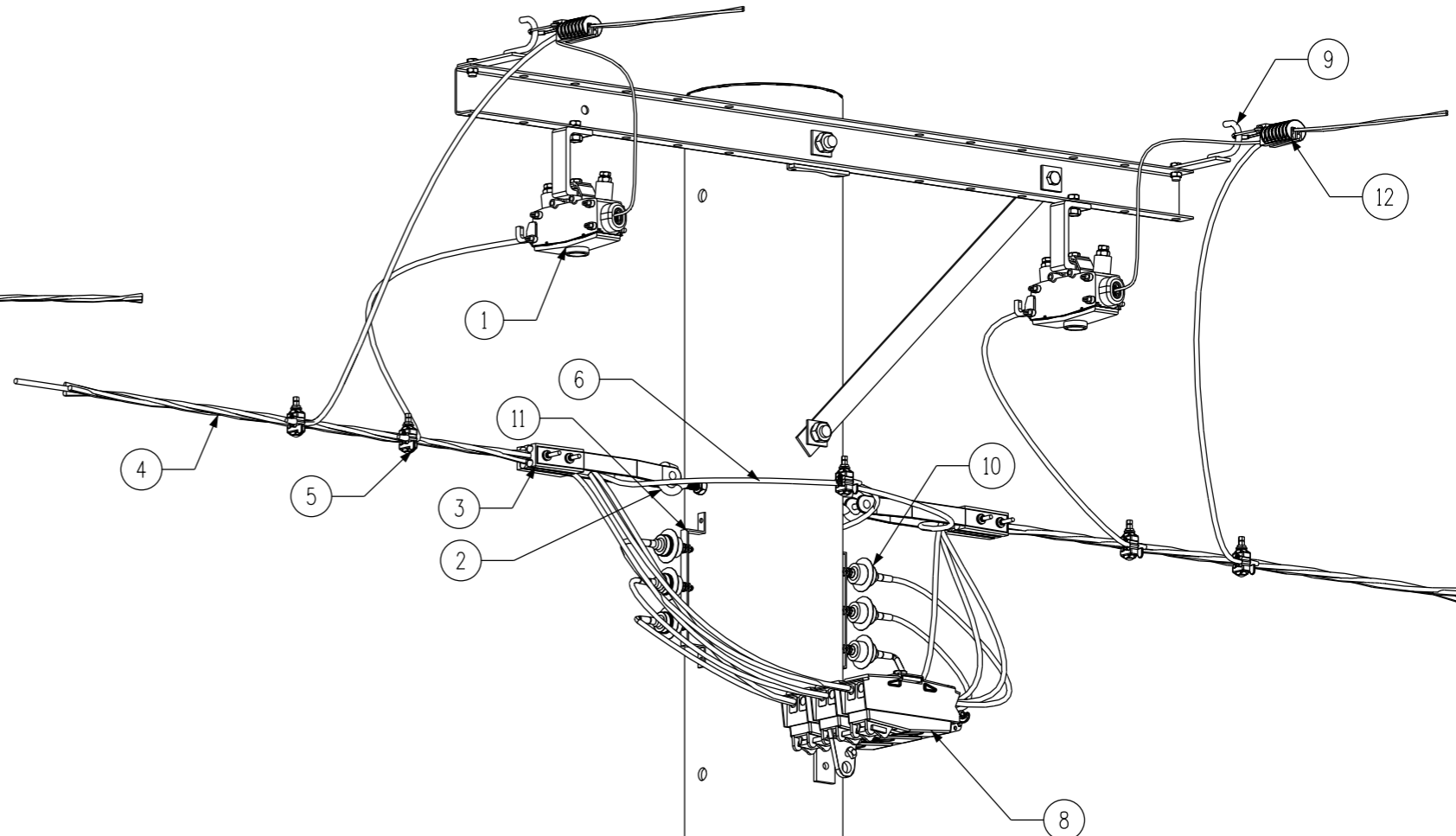


**ELEVATION**



**ISOMETRIC VIEW**

14	AR	70SQMM YELLOW/GREEN INSULATED COPPER CABLE	401059	S02-1-1-23
13	2	COMPRESSION LUG 70SQMM	5512	S02-1-2-11
12	2	SERVICE CLAMP	-	S01-1-4-28
11	2	BRACKET - SURGE DIVERTER	214932	S01-1-4-27
10	6	SURGE DIVERTER LV	10041	S01-1-4-20
9	2	SERVICE HOOK	9324	S01-1-4-07
8	1	COMBINATION SWITCH - ISOLATOR/FUSE	205096	S04-1-3-06
7	1	LUG COMPRESSION 35sq.mm	402689	S02-1-2-11
6	AR	CABLE Cu PVC 35sq.mm BLACK	1586	S02-1-1-23
5	1	CONNECTOR, PIERCING 95/35	197723	S04-1-2-15
4	AR	CABLE LV ABC, 4x95sq.mm	197665	S04-1-1-01
3	2	CLAMP STRAIN 4x95sq.mm	197707	S04-1-2-11
2	2	HOOK BOLT M16 BREAKAWAY ASSEMBLY	-	S04-1-2-07
1	2	SERVICE FUSE	241109	S01-1-4-49
TAG No	QTY	DESCRIPTION	STOCK CODE	DRG. REF.

**NOTES**

1. ABC TO BE TERMINATED DIRECT INTO SWITCH FUSE BOX USING GREASE TO PROHIBIT MOISTURE INGRESS BETWEEN CABLE CORE AND SHEATH.
2. SWITCH FUSE MOUNTING BRACKET TO BE BOLTED TO POLE.
3. FIT LV SURGE DIVERTERS AT EXPOSED OPEN POINTS.
4. ELECTRICALLY CONNECT SURGE DIVERTER MOUNTING BRACKET TO M12 NUTS WELDED IN THE POLE VIA YELLOW/GREEN INSULATED 70SQMM COPPER CABLE.
5. FIX SURGE DIVERTER BRACKET TO POLE WITH POWER FASTENERS.
6. SURGE DIVERTER ACTIVE TAILS TO TERMINATE IN SWITCH UNIT IN SPARE TERMINAL HOLE AND ON TOP OF 95sq.mm CABLE IN SINGLE TERMINAL HOLE.
7. REFER SERVICING DRAWINGS FOR SERVICE ARRANGEMENTS.
8. FIT 160A LINK BLADE (STOCK CODE 205088) IN SWITCH/FUSE BOX.
9. FOR NON-BREAKAWAY ASSEMBLY, REPLACE M16 HOOKS WITH EYE NUTS AND EYE BOLTS

0	ISSUED FOR CONSTRUCTION	J.C.	JUN'11	A.T.	B.C.
NO	DESCRIPTION	DRN	DATE	CKD	APPD
AMENDMENTS					



DES	B.T.KENT	POWER STANDARD DRAWING		
DRN	J.COPPINS	<b>ASSEMBLIES LV - ABC LINK POLE - OPEN POINT FOR ROUND POLE CONSTRUCTION</b>		
CKD	R.INNES			
APPD	F.ROBSON			
SCALE	N.T.S.			
ISSUED	MAY'98	<b>A3</b>	<b>DRAWING NUMBER</b>	<b>S04-2-1-22</b>
ALL DIM.	IN mm			
DRAFTING STANDARD TO A.S.1100		CAD PRODUCT - DO NOT AMEND MANUALLY		